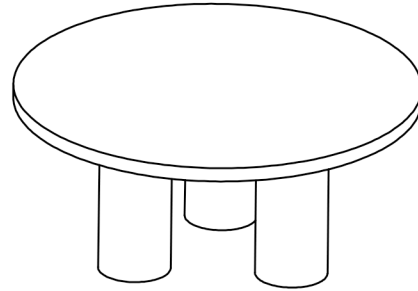


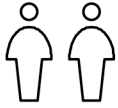
Chloe Coffee Table

ASSEMBLY INSTRUCTION:

Thank you for purchasing the Coffee Table.
This page lists all the contents included in the box.
Please take time to identify the hardware as well as the individual components of this product.
As you unpack and prepare for assembly, place the contents on a carpeted or padded area to protect them from damage.

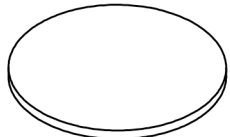


ASSEMBLY REQUIREMENTS:

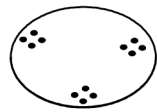


Do Not Use Power Tools

PARTS:



01 TABLE TOP =1PC



02 CONNECTING PLATE =1PC



03 BASE A =3PCS

HARDWARE:



A ALLAN WRENCH =1PC



B MACHINE SCREW =12PCS
(M6 25mm)

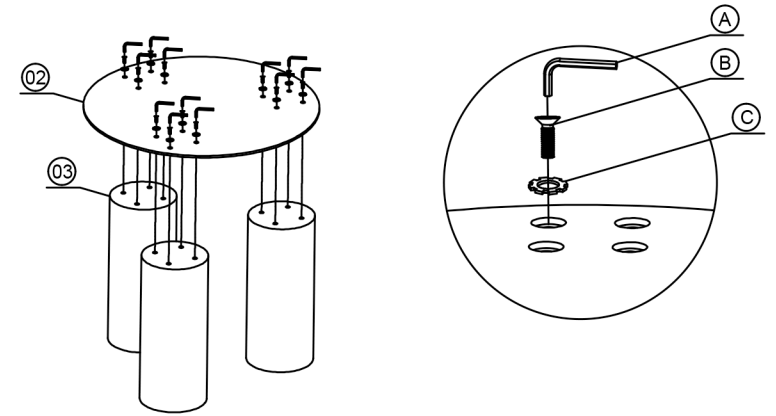


C WASHER =12PCS



Chloe Coffee Table

1



2

