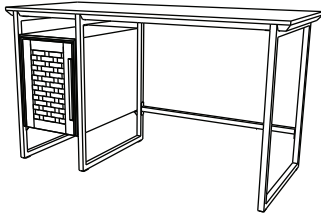


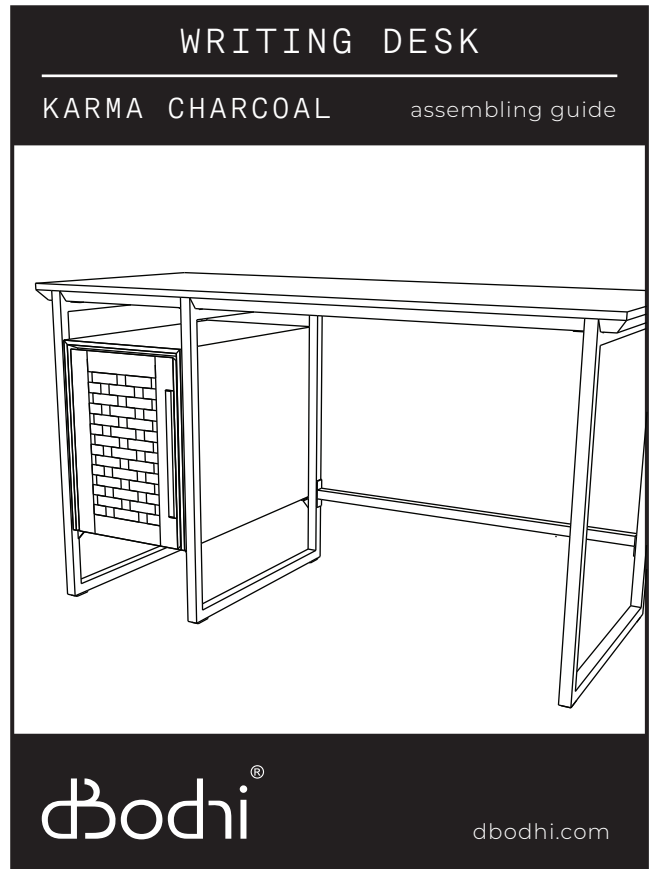
ASSEMBLING GUIDE

Writing Desk



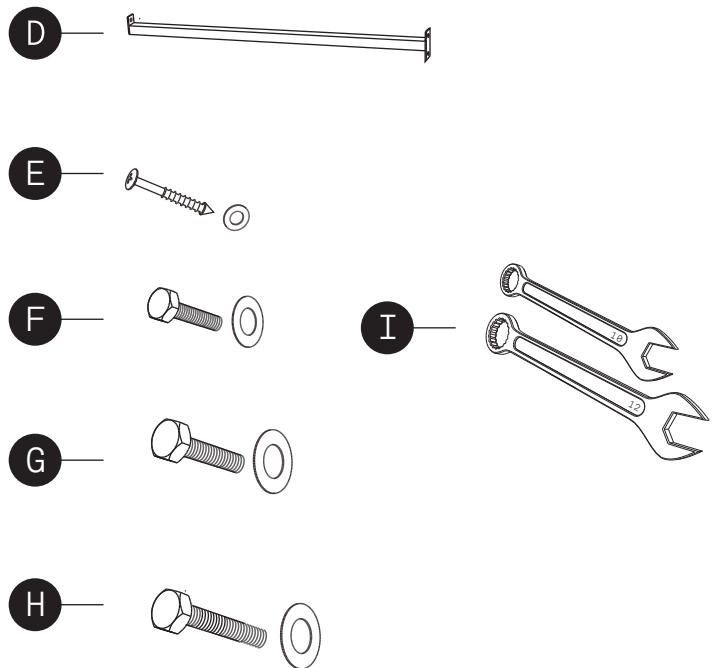
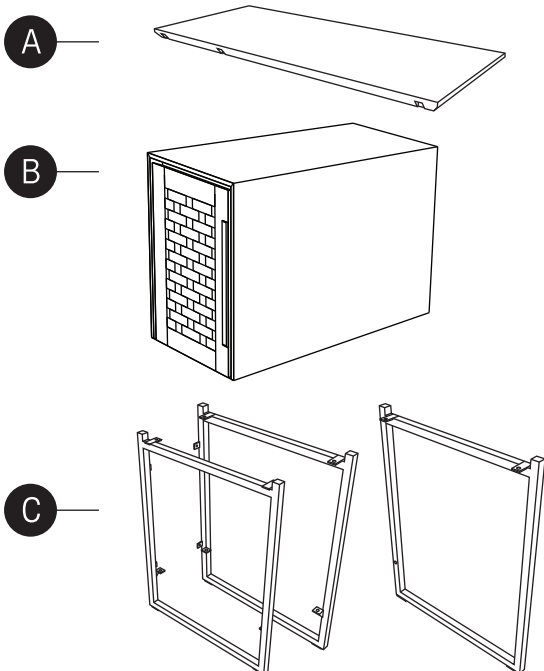
Material used

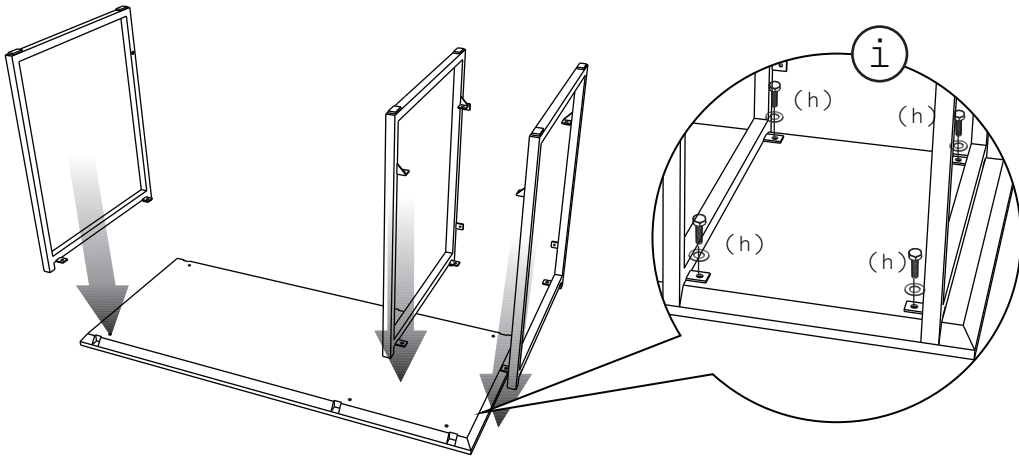
- Wood : Black
- Iron : Black Doff



Box Content

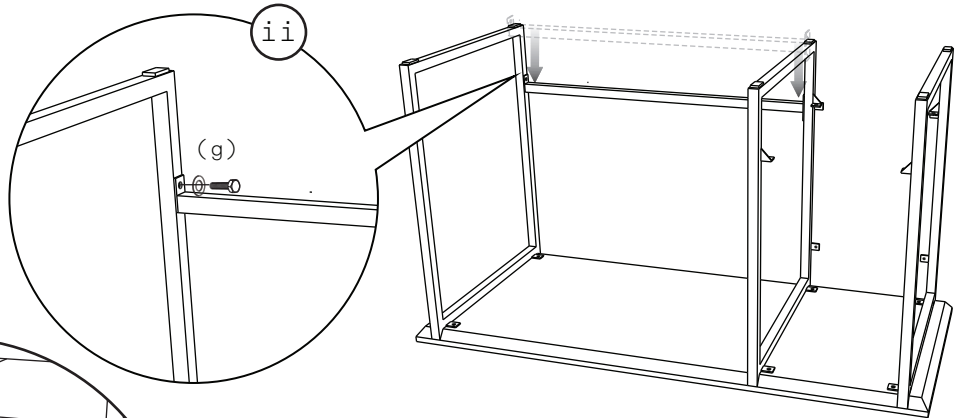
- a. Table top 1 pc
- b. Shelf 1 pc
- c. Frame Legs 3 pcs
- d. Frame support 1 pc
- e. Screw & rings 5/8x8mm : 4 pcs
- f. Bolt & rings M6x15 : 4 pcs
- g. Bolt & rings M8x20 : 3 pcs
- h. Bolt & rings M8x25 : 6 pcs
- i. Tools 2 pcs



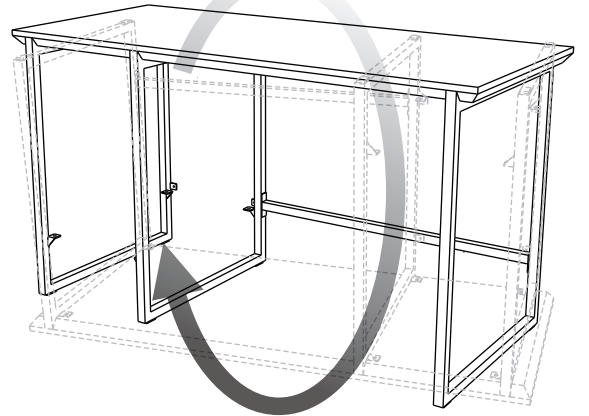
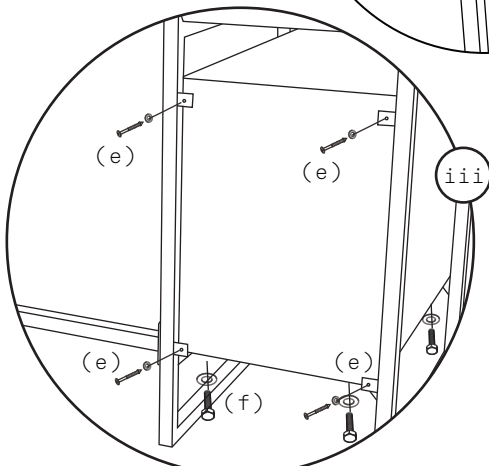


1. Install the frame legs into table top and tighten as in detail (i)

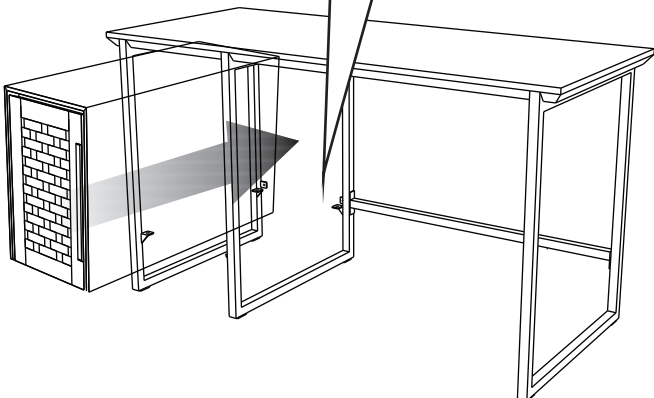
2. Install the frame support into frame legs as in detail on the right and tighten as in detail (ii)



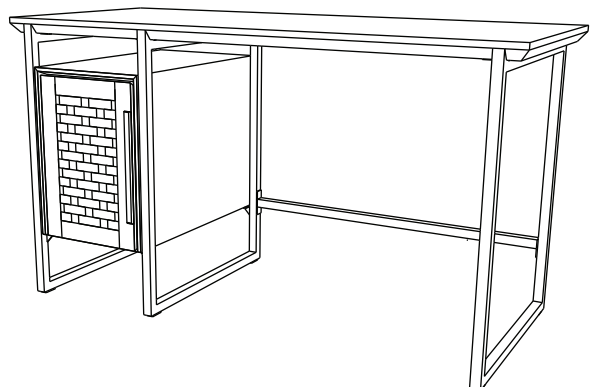
BACK VIEW



3. Rotate the table into its right position as in picture above.



4. Install the Shelf into the frame legs like picture above and tighten with screw and bolt as in detail (iii)



5. Your Writing Desk is ready!