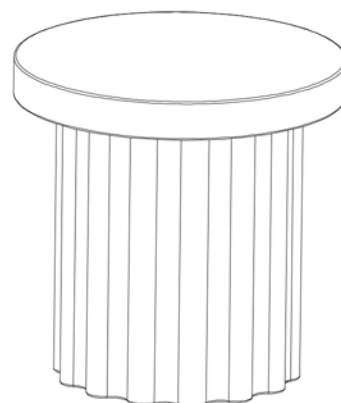


Chantel Side Table

Assembly Instructions:

Thank you for purchasing this Side Table . This page lists all the contents included in the box. Please take time to identify the hardware as well as the individual components of this product. Do not discard any of the packing material until all the hardware has been located. As you unpack and prepare for assembly, place the contents on a carpeted or padded area to protect them from damage.

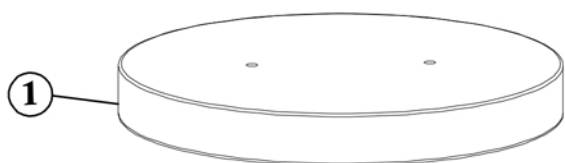


Assembly Requirements

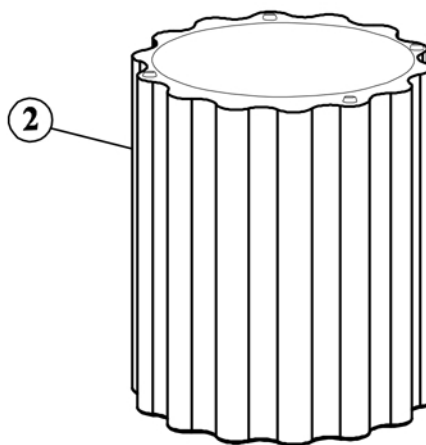
10 min



Parts:

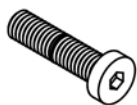


① Table Top - 1pc



② Base - 1pc

Fittings:



Ⓐ Machine Screw - 2pcs
M8 x 40mm



Ⓑ Washer - 2pcs
19Ø x 2mm

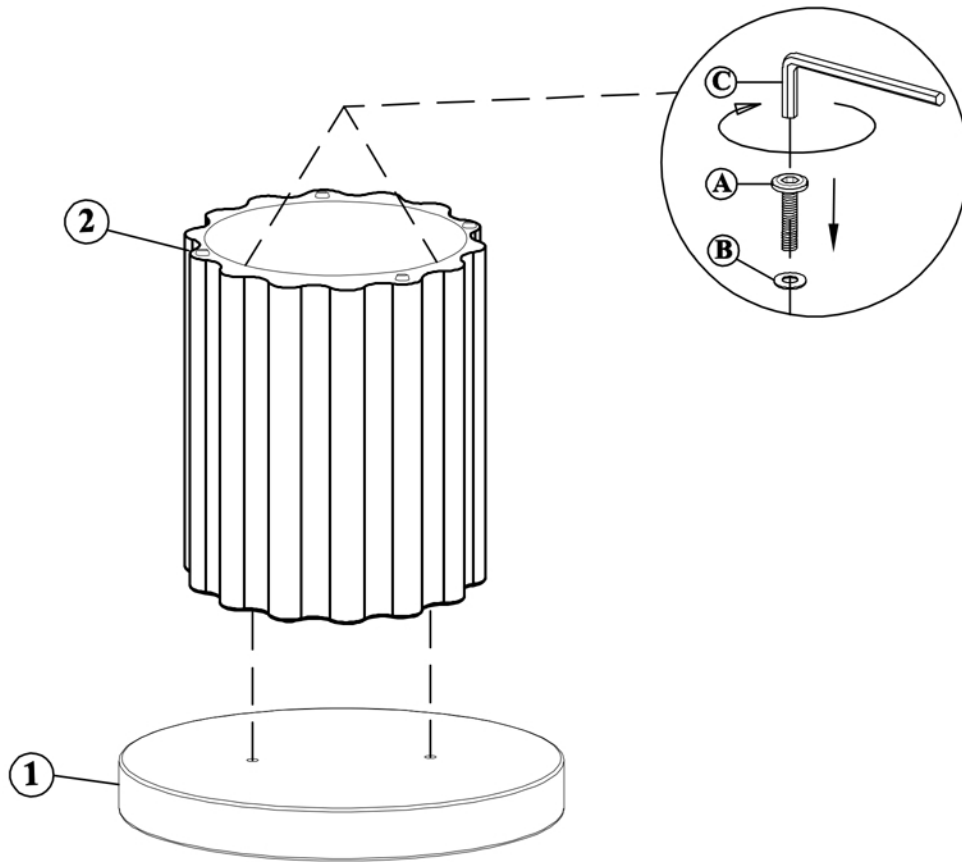


Ⓒ Allen Key
M4 x 60mm



Chantel Side Table

Step 1



Step 2

