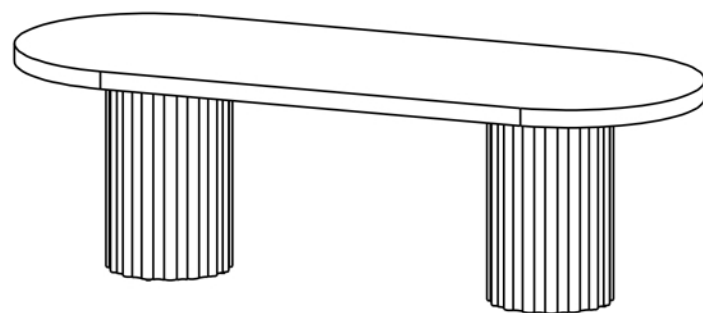


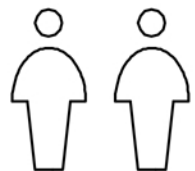
Chantel Dining Table

Assembly Instructions:

Thank you for purchasing this Dining Table. This page lists all the contents included in the box. Please take time to identify the hardware as well as the individual components of this product. As you unpack and prepare for assembly, place the contents on a carpeted or padded area to protect them from damage.



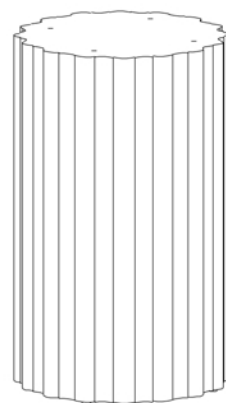
Assembly Requirements:



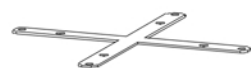
Parts:



(A) TABLE TOP= 1PC



(C) LEG = 2PCS



(B) FIXING PLATE = 2PCS

Fittings:



(D) ALLEN KEY= 1PC



(E) MACHINE SCREW = 8 PCS
15MM please check size



(F) MACHINE SCREW = 8 PCS
20MM please check size



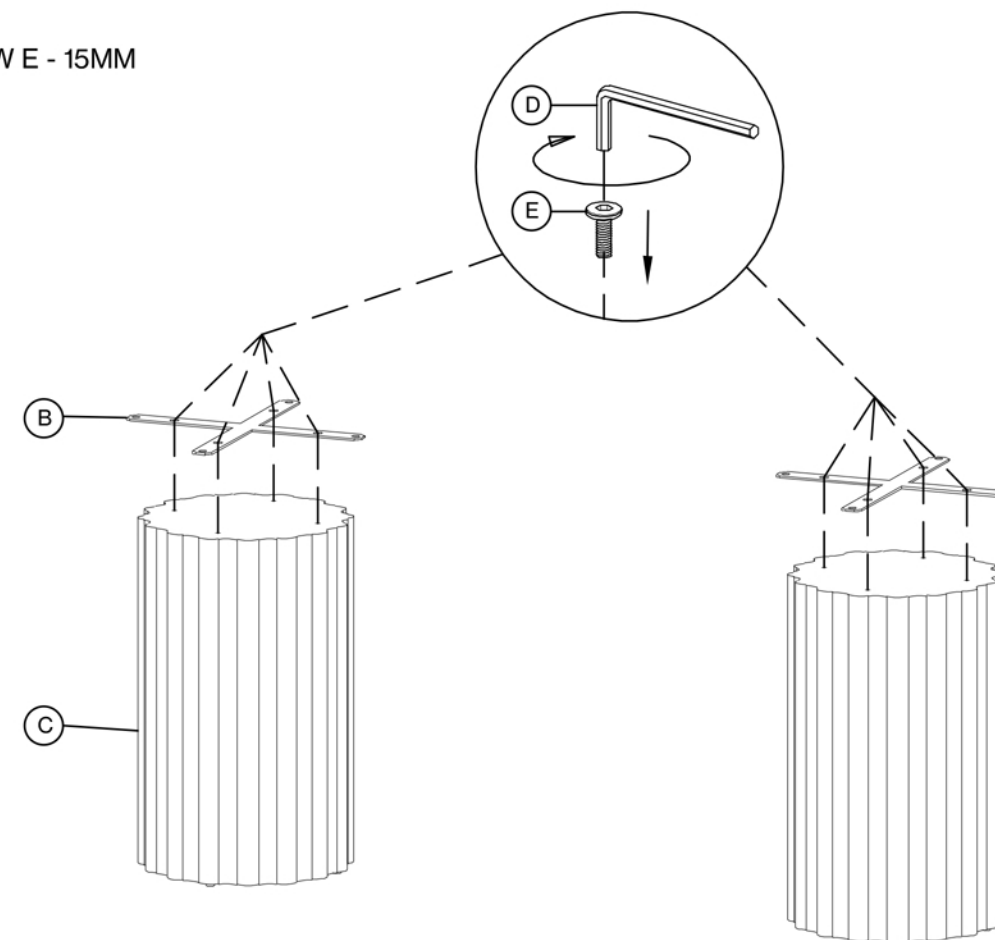
(G) WASHER= 8 PCS



Chantel Dining Table

Step 1

(E) SCREW E - 15MM



Step 2

(F) SCREW F - 20MM

