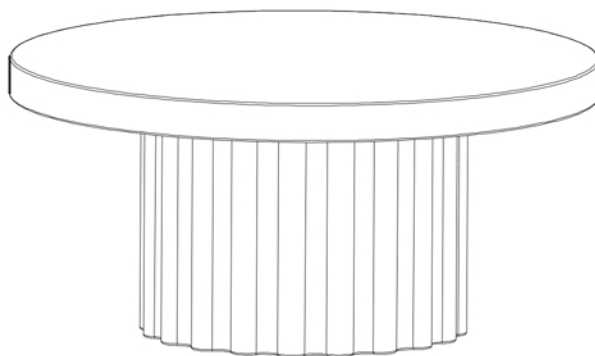


Chantel Coffee Table

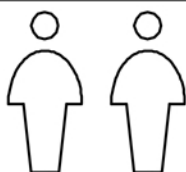
Assembly Instructions:

Thank you for purchasing this Coffee Table . This page lists all the contents included in the box. Please take time to identify the hardware as well as the individual components of this product. Do not discard any of the packing material until all the hardware has been located. As you unpack and prepare for assembly, place the contents on a carpeted or padded area to protect them from damage.

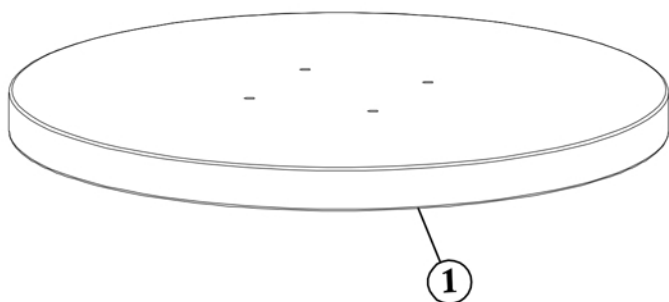


Assembly Requirements

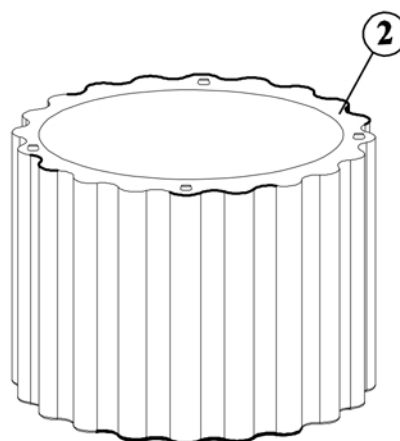
15 min



Parts:

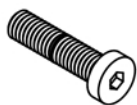


① Table Top - 1pc



② Base - 1pc

Fittings:



Ⓐ Machine Screw - 4pcs
M8 x 40mm



Ⓑ Washer - 4pcs
19Ø x 2mm

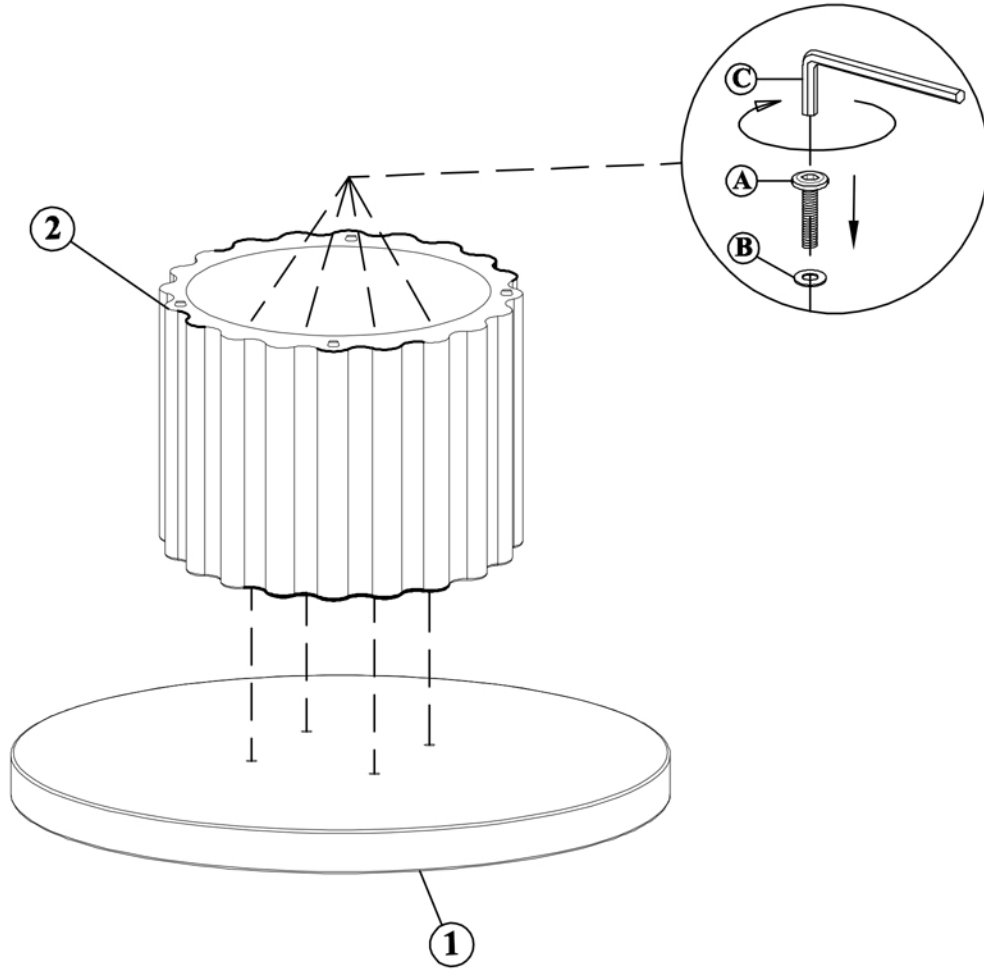


Ⓒ Allen Key
M4 x 60mm



Chantel Coffee Table

Step 1



Step 2

