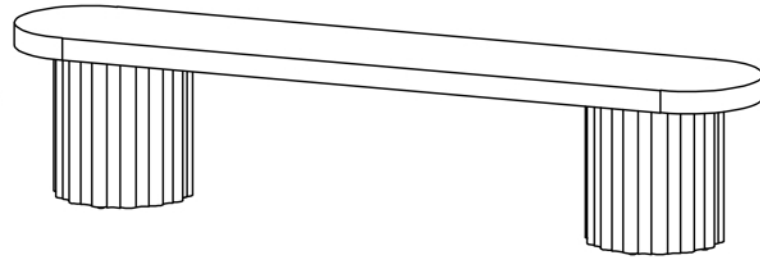


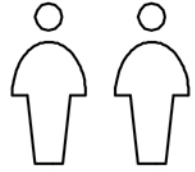
# Chantel Bench

## Assembly Instructions:

Thank you for purchasing this Bench.  
This page lists all the contents included in the box.  
Please take time to identify the hardware as well as the individual components of this product.  
As you unpack and prepare for assembly, place the contents on a carpeted or padded area to protect them from damage.



## Assembly Requirements:



## Parts:



(A) BENCH TOP= 1PC

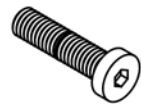


(B) LEG = 2PCS

## Fittings:



(C) ALLEN KEY= 1PC



(D) MACHINE SCREW= 8 PCS

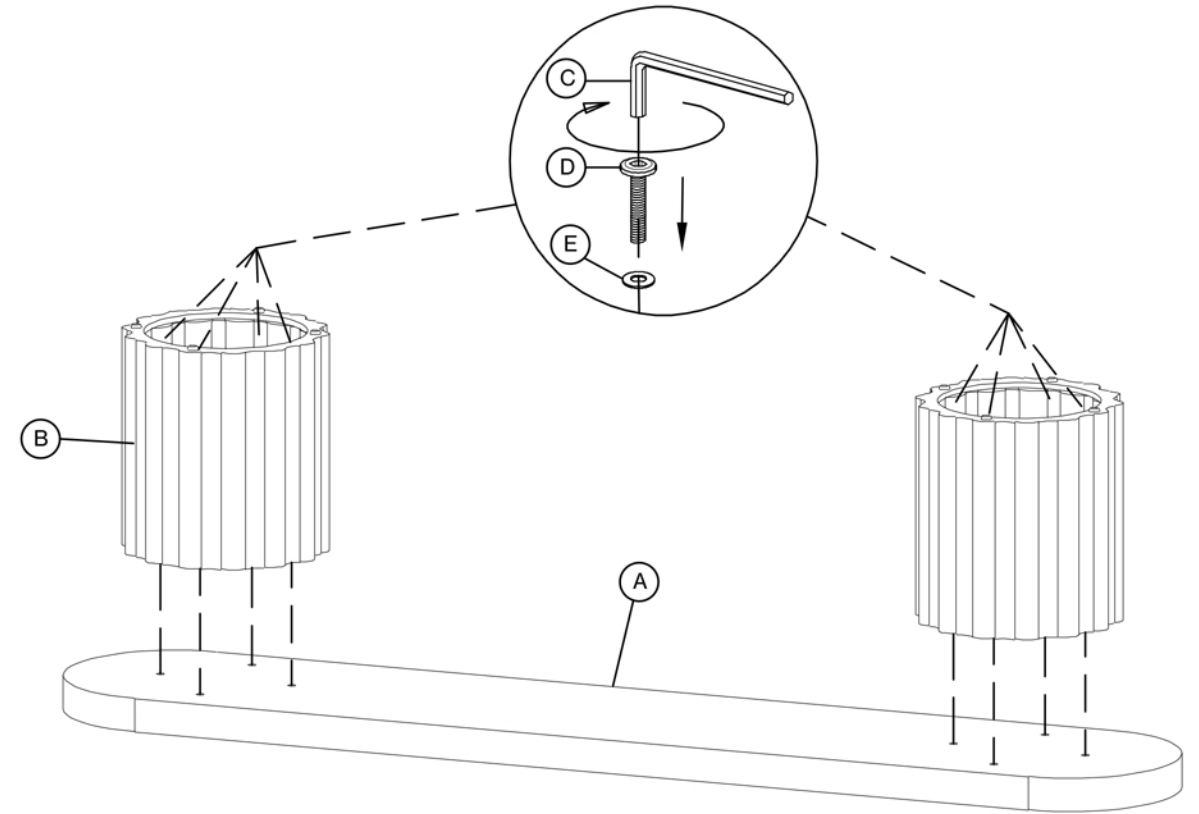


(E) WASHER= 8 PCS



# Chantel Bench

## Step 1



## Step 2

