

# ASSEMBLING GUIDE

Round Coffee Table



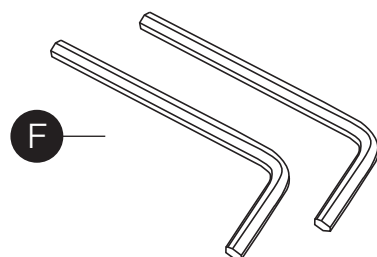
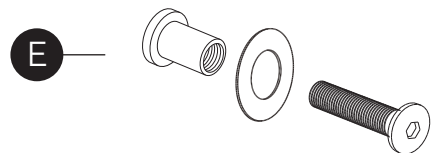
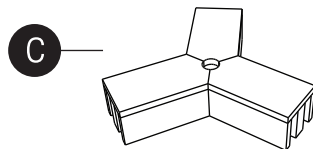
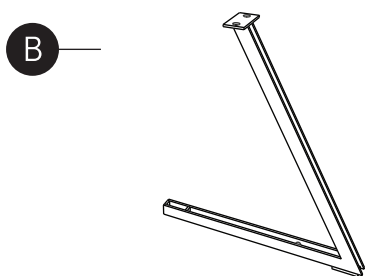
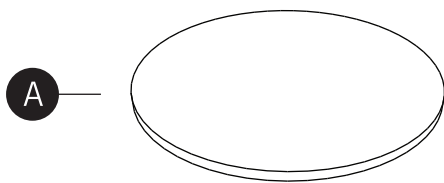
## Material used

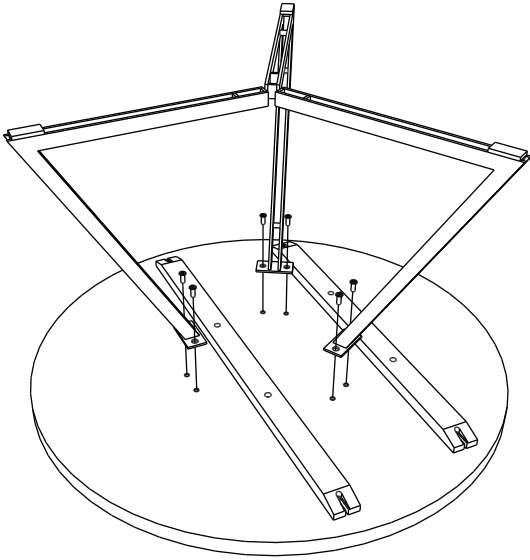
- Wood : Finishing Not Polish
- Iron : Black Doff



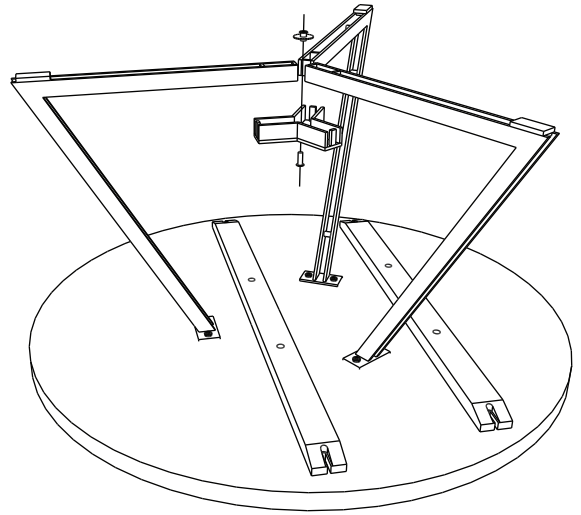
## Box Content

- a. Table top 1 pc
- b. Legs 3 pcs
- c. Leg Connector 1 pc
- d. JCBC Screws 15mm : 6 pcs
- e. JCBC Screws & JCBC/nut 20mm : 1 Set  
+ Rings Ø 30mm : 1 pc
- f. Allen key : 2 pcs

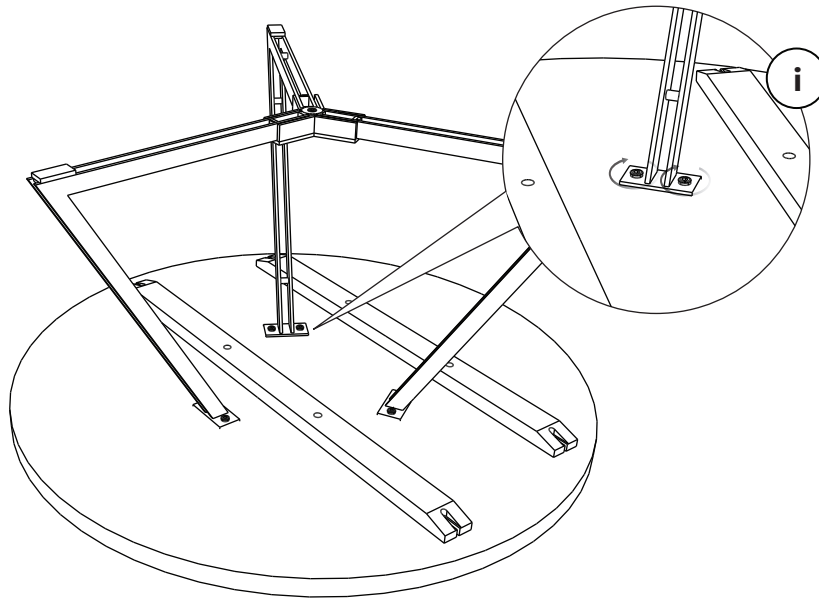




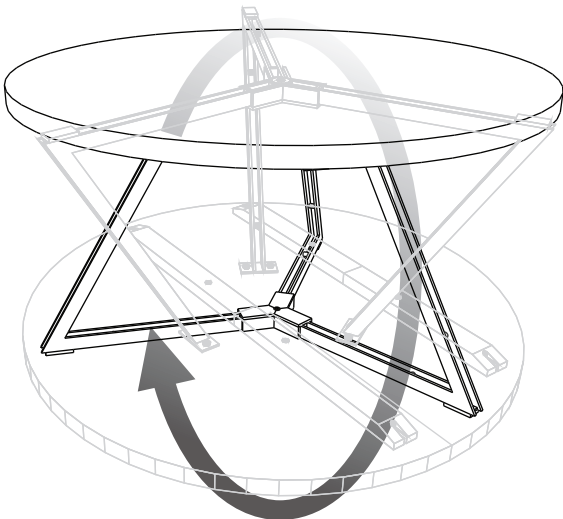
1. Install the leg into the table top like picture above but keep the leg loosy.



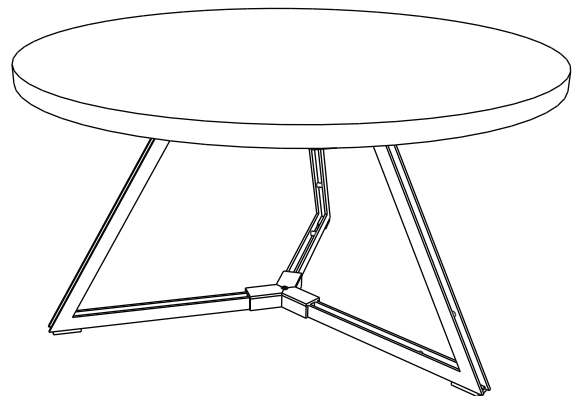
2. Install the leg connector between the legs and tighten with allen key.



3. Tighten all the loosy legs to table top with screw.



4. Rotate the table into its right position as in picture above.



5. Cabrini coffee table is ready!