

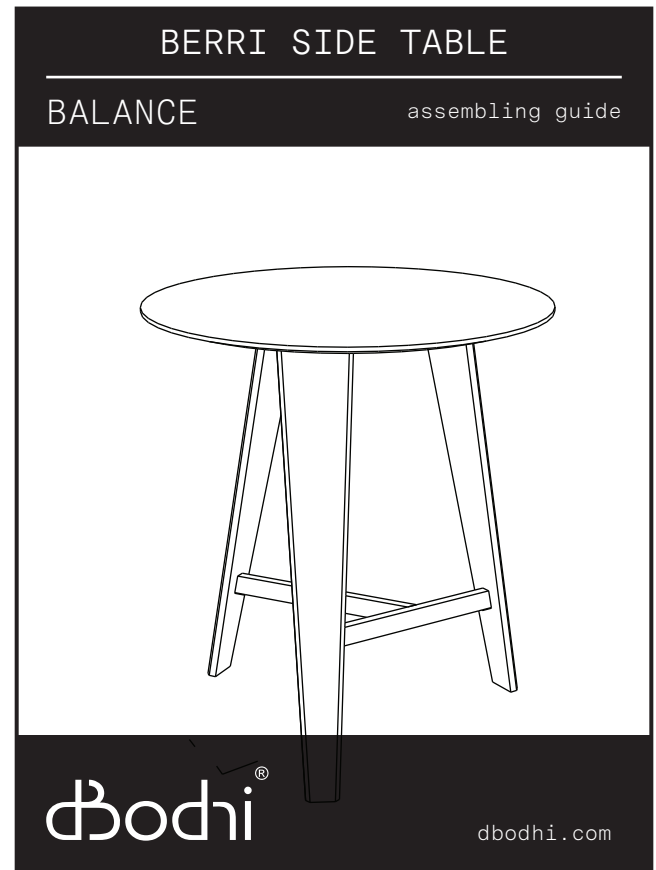
ASSEMBLING GUIDE

Berri Side Table



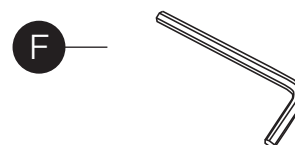
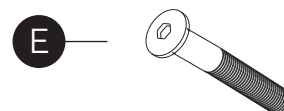
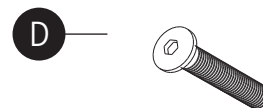
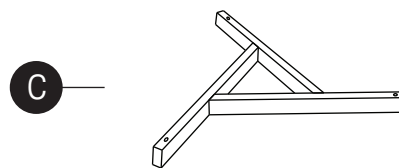
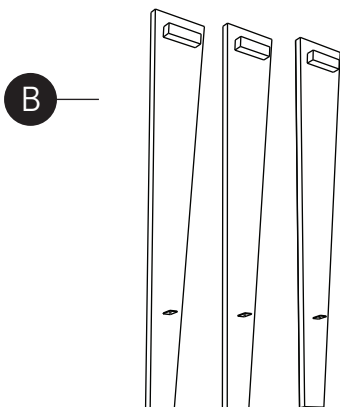
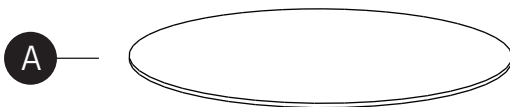
Material used

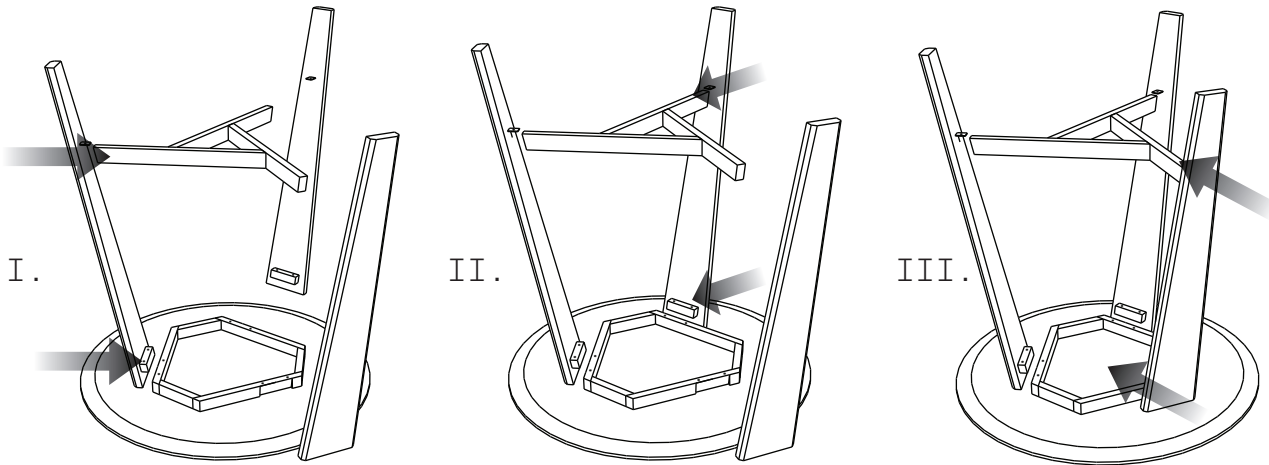
Wood : Finishing Not Polish
 Iron : -



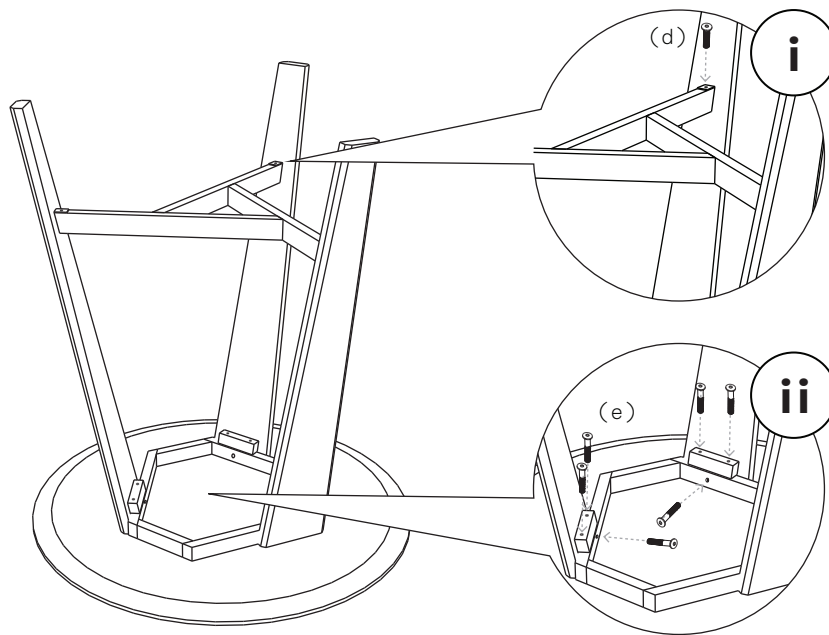
Box Content

- a. Top table 1 pc
- b. Legs 3 pcs
- c. Legs connector 1 pc
- d. Hex screw 20mm : 3 pcs
- e. Hex screw 50mm : 9 pcs
- f. Allen key 1 pc

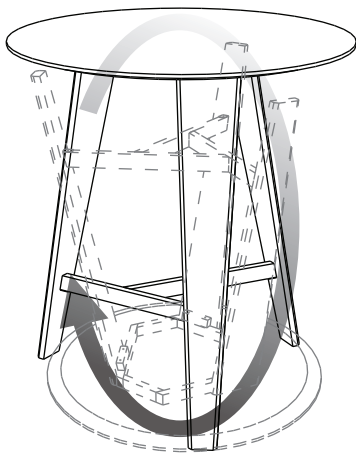




1. Put the leg into table top together with leg connector as in picture above (I, II, III) into its right position but keep them loosy.



2. After all legs are in right position, tighten the leg into table top and leg connector with hex screws as in detail (i) and (ii)



3. Rotate the table into its right position



4. Your Berri side table is ready.