

ASSEMBLING GUIDE

Berri Bar Table



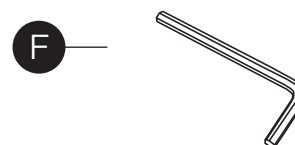
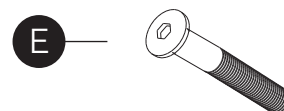
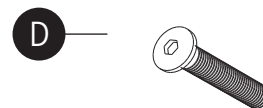
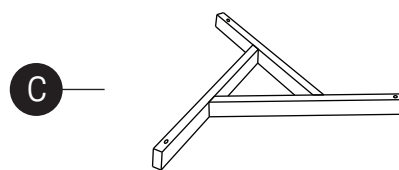
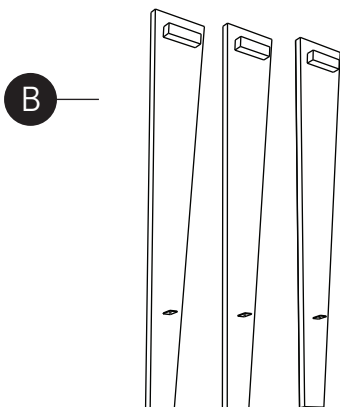
Material used

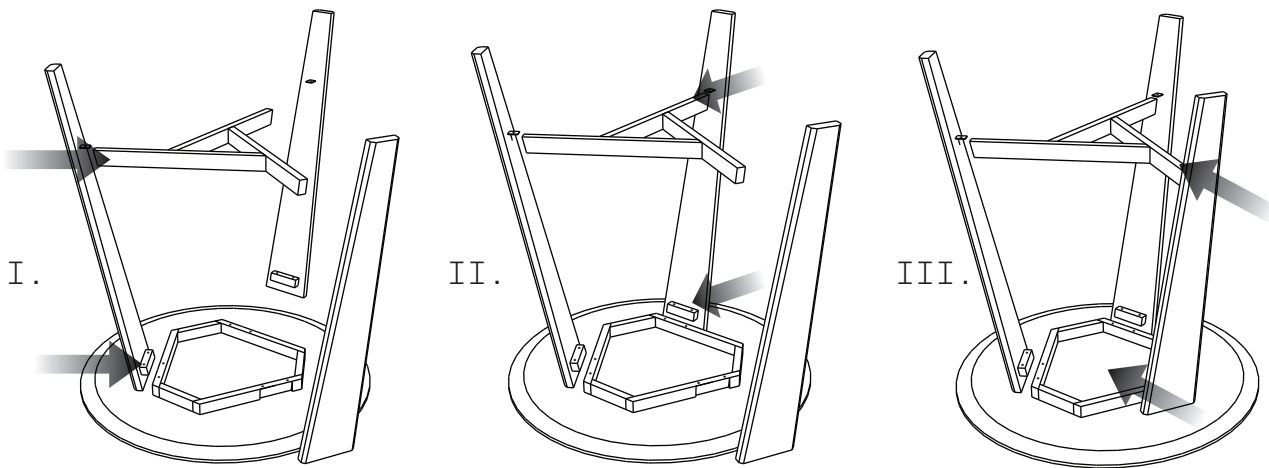
Wood : Finishing Not Polish
 Iron : -



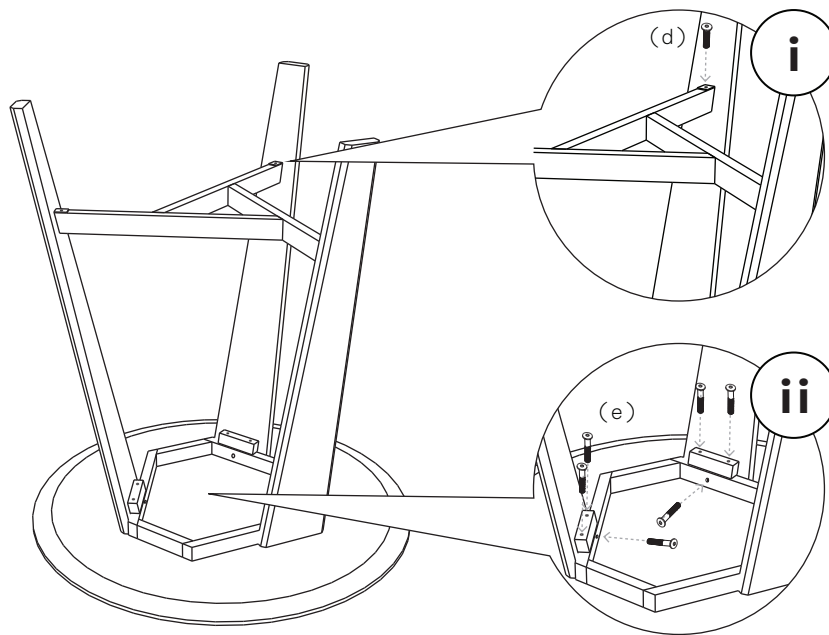
Box Content

- a. Top table 1 pc
- b. Legs 3 pcs
- c. Legs connector 1 pc
- d. Hex screw JCBC 20mm : 3 pcs
- e. Hex screw JCBC 50mm : 9 pcs
- f. Allen key 1 pc

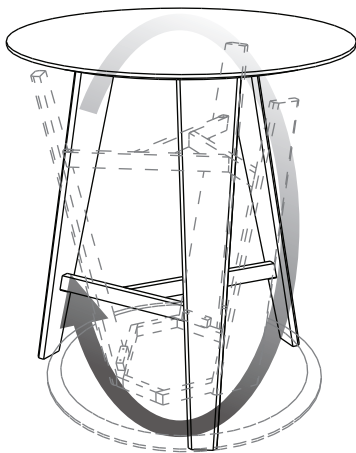




1. Put the leg into table top together with leg connector as in picture above (I, II, III) into its right position but keep them loosy.



2. After all legs are in right position, tighten the leg into table top and leg connector with hex screws as in detail (i) and (ii)



3. Rotate the table into its right position



4. Your Berri bar table is ready.