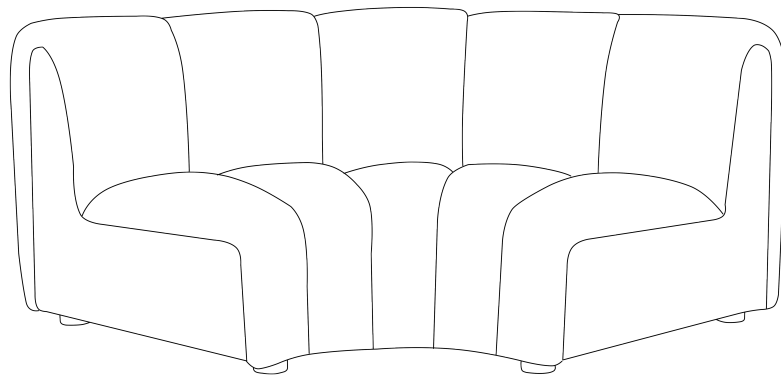


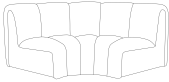
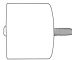
trit

ASSEMBLY INSTRUCTIONS


Halzan **R**ound **C**orner



PARTS LIST

LABEL	PICTURE	DESCRIPTION	QTY
A		Body	1
B		Leg	5

HARDWARE

LABEL	PICTURE	DESCRIPTION	QTY
C			5

BEFORE BEGINNING ASSEMBLY:



Read instructions cover to cover



Have two adults on hand for assembly



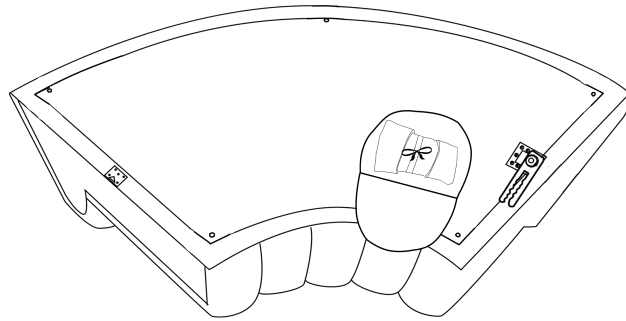
Do NOT assemble on flooring or carpet. Assemble on a clean non-marring surface (ex: packing foam)



Save all packaging until assembly is completed

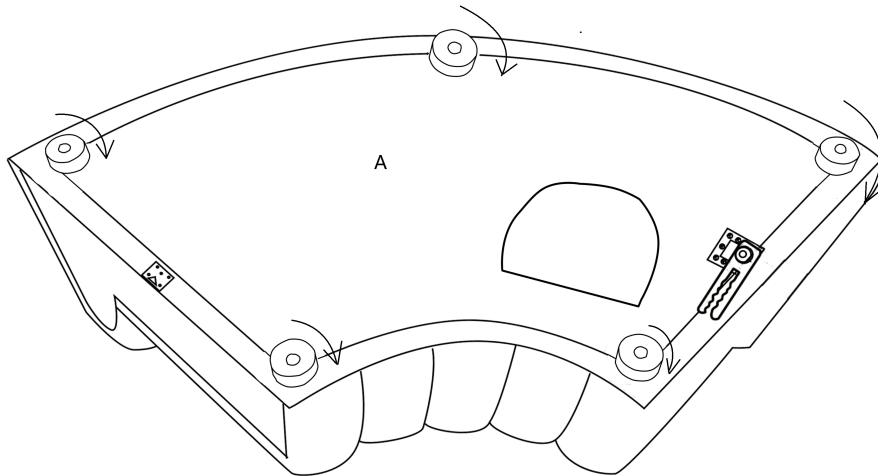
ASSEMBLY STEPS

STEP 1



- › Position the product on its bottom as shown.
- › Open to take the four legs.

STEP 2

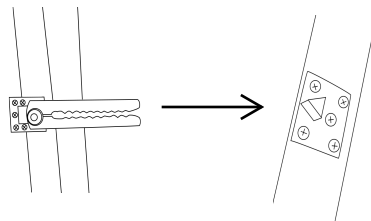
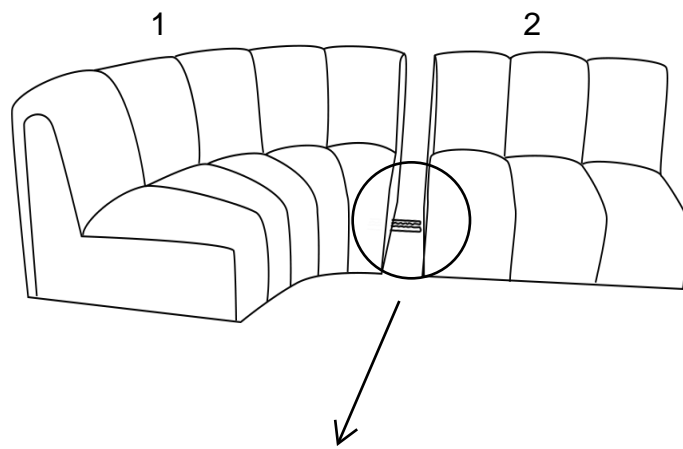
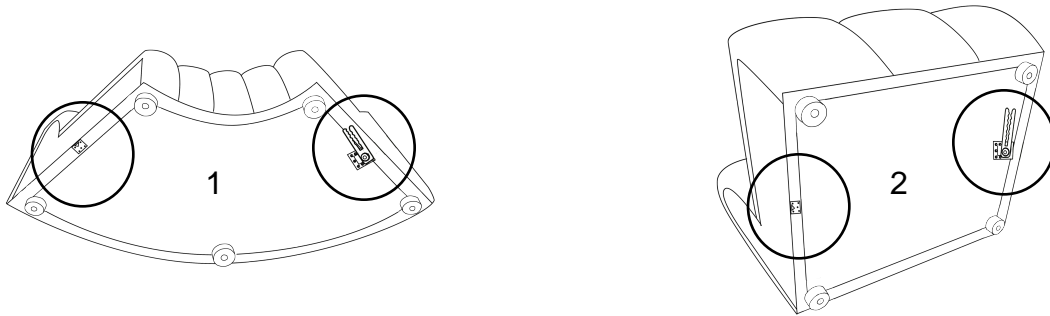


Attach the legs to the bolts, tighten the legs by rotating them clockwise.

If the chair is wobbly, remove the leg and add 1 plastic washer (C) until the legs are even.

If you buy the several parts for the sectional sofa, then you need to attach also.

The bottom shot:



Pull out the Clips. Align the Clips on the bottom of Corner (1) to the Clip Posts on the bottom of Chair(2) as shown.
Push the Corner (1) close to the Chair(2) slowly until the Clip and the Post click together tightly

CARE & MAINTENANCE



Do not put hot items directly on furniture surface.



Do not clean furniture with harsh cleansers or polish.



Dust and pick up spills using a clean, non-colored, lint-free cloth.



Stains may be removed with mild soap solution and a damp cloth.



Do not place furniture under direct sunlight.



Do not place furniture near heating or cooling vents.



Do not write on furniture without a padded barrier to protect the surface.



Do not place furniture outside, for indoor use only.