



WENDELBO

DESIGN BY 365 NORTH

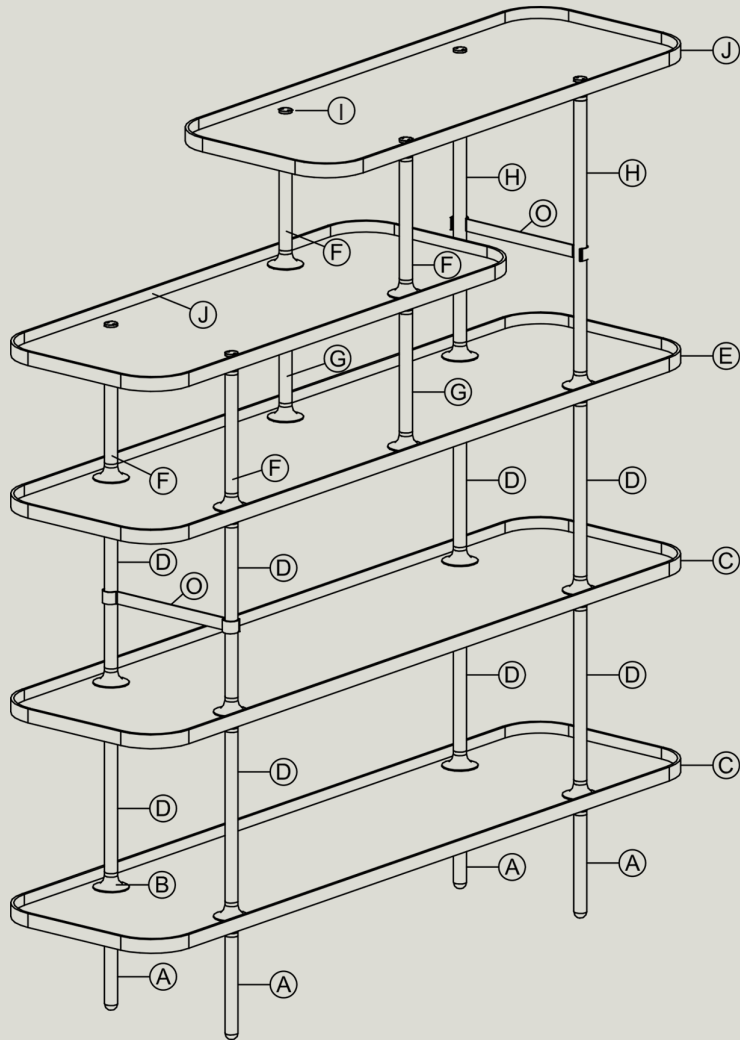
SLICE  
TALL, MEDIUM

ASSEMBLY INSTRUCTION











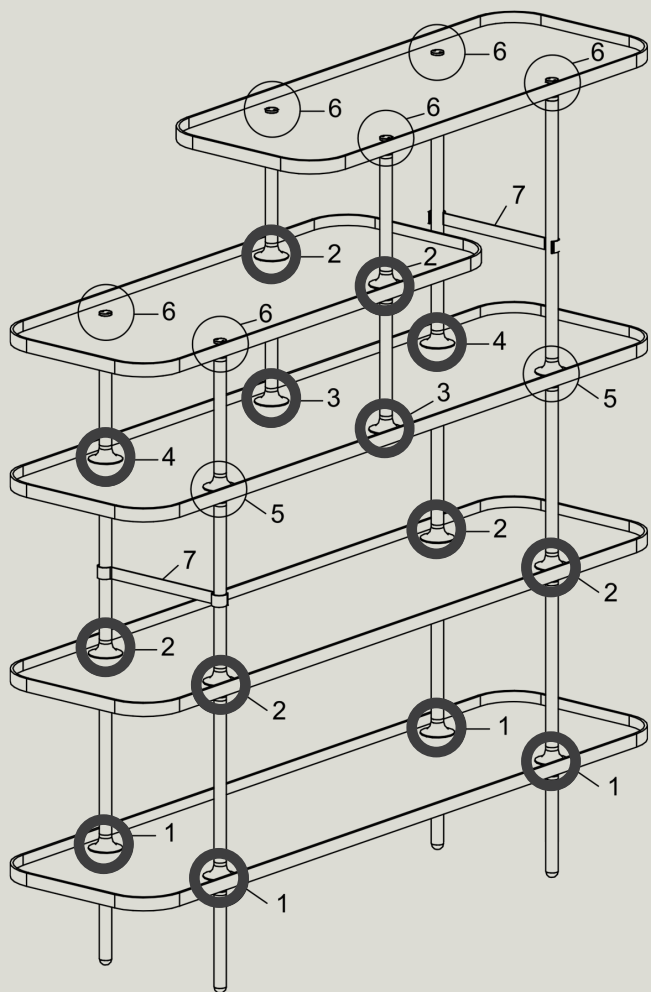
Please read these instructions carefully and keep for future reference. Refer to parts inventory for guidance and ensure you have all pieces before starting.

When assembling, place all parts on a soft, clean and flat surface such as a carpet to prevent scratches.



## PART INVENTORY

ID	DESCRIPTION		QTY	DIM
A	LEG		4	268 MM
B	CURVED SOCKET		36	-
C	ALUMINIUM SHELF		2	1400 MM
D	HEIGHT SUPPORT		8	377 MM
E	ALUMINUM SHELF		1	1400 MM
F	HEIGHT SUPPORT		4	205 MM
G	HEIGHT SUPPORT		2	287 MM
H	HEIGHT SUPPORT		2	467 MM
I	BRASS BOLT		8	-
J	ALUMINUM SHELF		2	950 MM
K	SPAN WRENCH		1	-
L	BRACKET		2	-
M	ALUMINUM SHELF		2	M6,40 MM
N	WASHER		2	-
O	BOOK SUPPORT		2	-



**1**

Put curved socket > aluminum shelf > curved socket into the leg.  
Then turn height support around to tighten the joint.



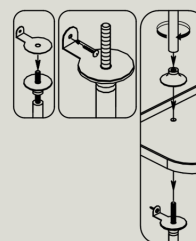
**2**

Repeat step 1 to tighten the remaining joints.



**3**

Put brass bolt and curved socket to the hole of the aluminum shelf.  
Turn height support around to tighten the joint.

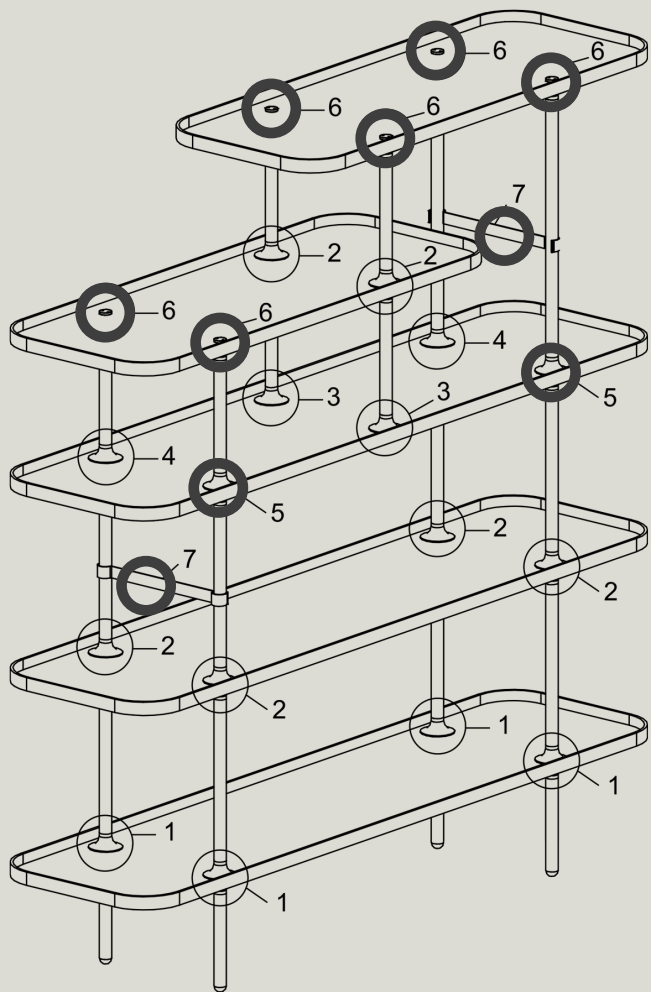


**4 (IF WALL-MOUNT)**

Put curved socket and bracket into the joint.

Attach screw to the wall by using a screwdriver.

Put aluminum shelf and curved socket to the joint.  
Turn height support around to tighten the joint.



5

Put curved socket > washer > aluminum shelf > curved socket into the joint.

After that turning height support around to tighten the joint.



6

Use span wrench and brass bolt to attach aluminum shelf and curved socket to the joint.

7

Push book support to the height support.

**WWW.WENDELBO.DK**

WENDELBO INTERIORS A/S  
MOSEVEJ 20 A  
DK - 8240 RISSKOV  
DENMARK