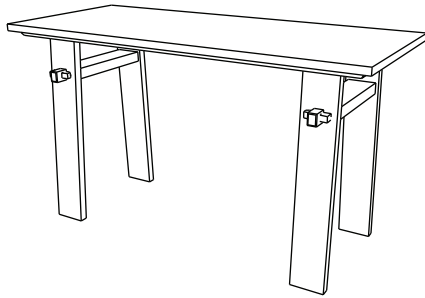


ASSEMBLING GUIDE

Writing Desk



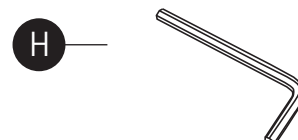
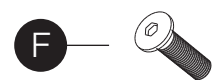
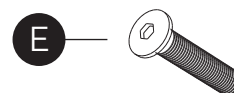
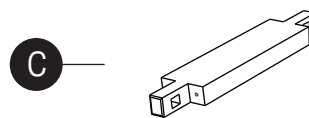
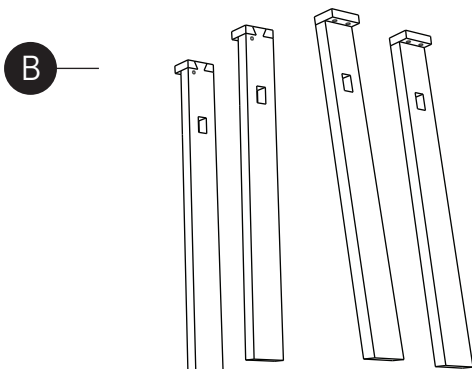
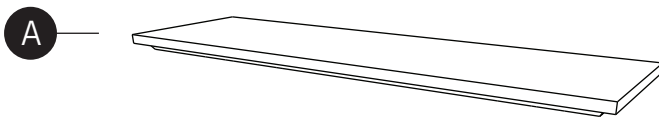
Material used

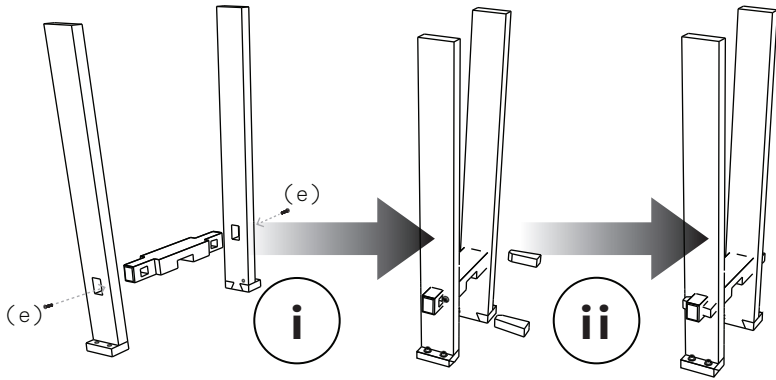
Wood : Finishing Not Polish
 Iron : -



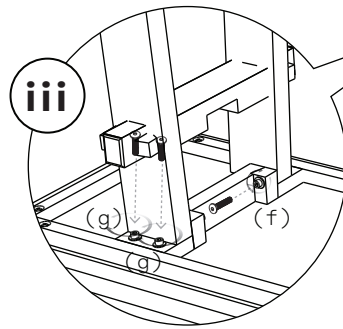
Box Content

- | | |
|-------------------------|------------------------------|
| a. Top table 1 pc | e. Hex screw M6x50mm : 4 pcs |
| b. Legs 4 pcs | f. Hex screw M6x40mm : 4 pcs |
| c. Legs connector 2 pcs | g. Hex screw M6x30mm : 8 pcs |
| d. Wooden locker 4 pcs | h. Allen key 1 pc |

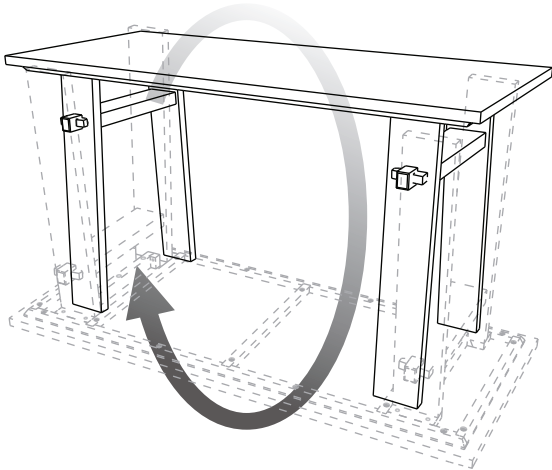




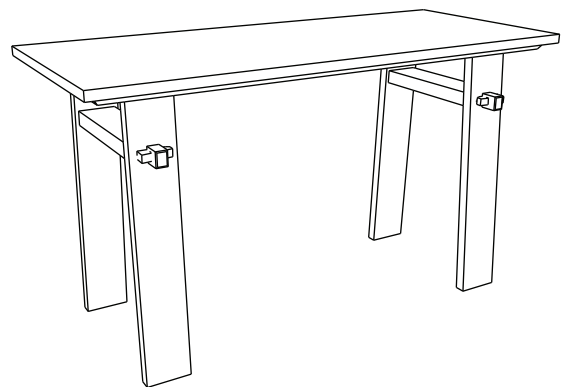
1. Stack the legs with leg connector and lock with hex screw (i) after that lock with wooden locker as in detail (ii)



2. Install the legs into the table top and tighten with hex screw as in detail (iii)



3. Rotate the table into its right position



4. Your writing desk is ready.