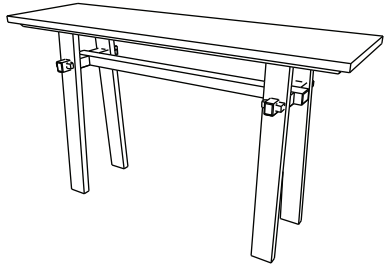


ASSEMBLING GUIDE

Side Table



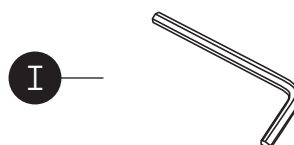
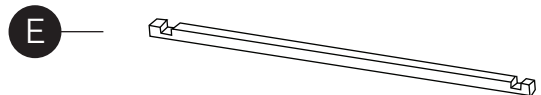
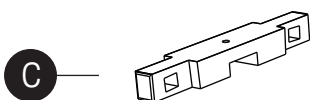
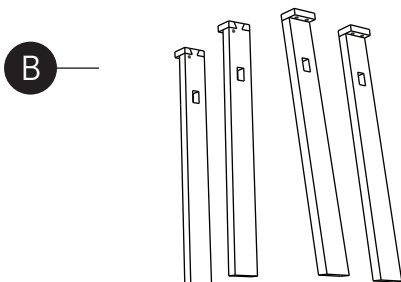
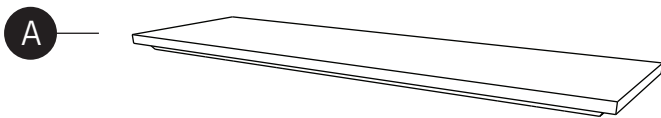
Material used

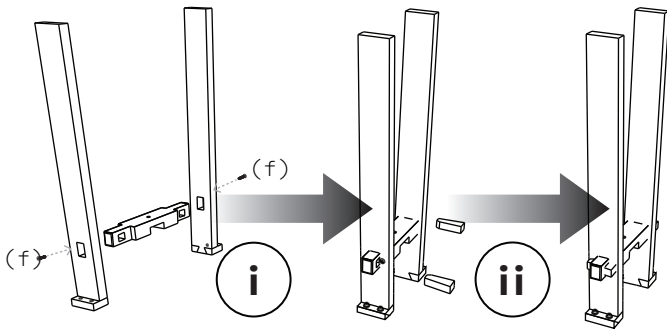
Wood : Finishing Not Polish
 Iron : -



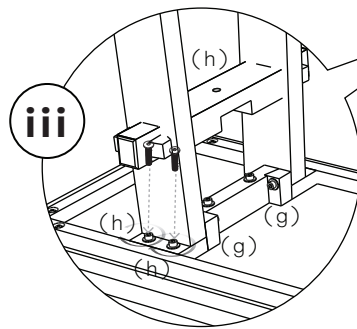
Box Content

- a. Top table 1 pc
- b. Legs 4 pcs
- c. Legs connector 2 pcs
- d. Wooden locker 4 pcs
- e. Table support 1 pc
- f. Hex screw M6x50mm : 4 pcs
- g. Hex screw M6x40mm : 4 pcs
- h. Hex screw M6x30mm : 10 pcs
- i. Allen key 1 pc

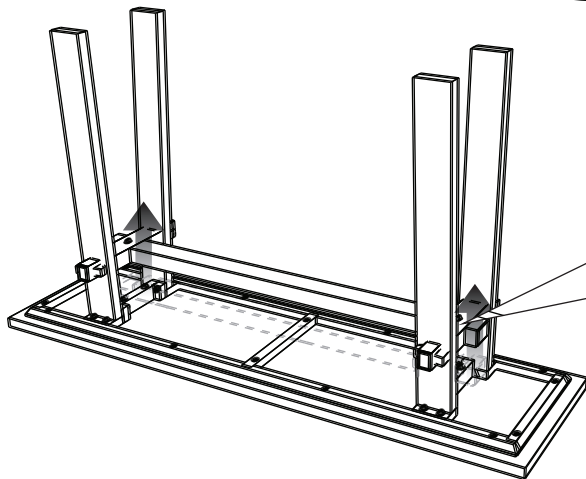




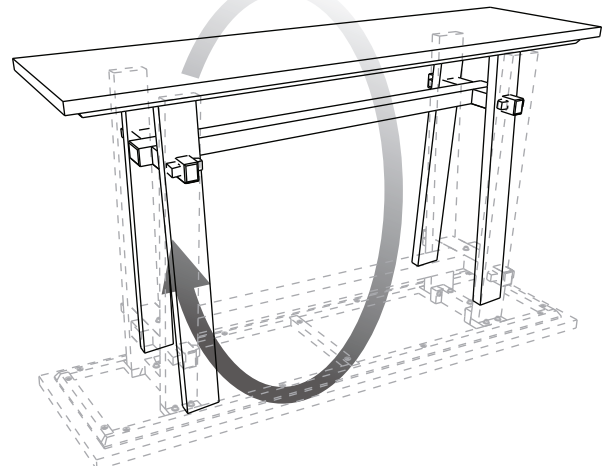
1. Stack the legs with leg connector and lock with hex screw (i) after that lock with wooden locker as in detail (ii)



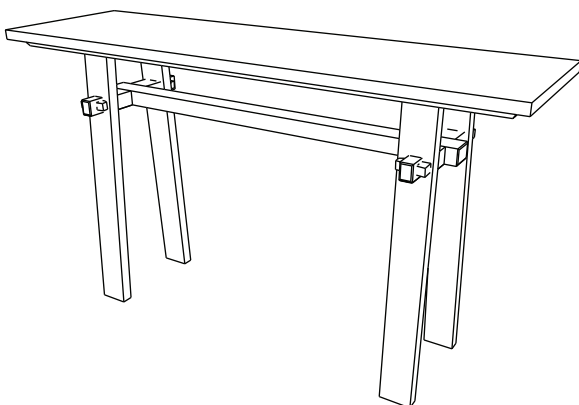
2. Instal the legs into the table top and tighten with hex screw as in detail (iii)



3. Instal the leg connector between the legs and tighten with hex screw as in detail (iv)



4. Rotate the table into its right position



5. Your side table is ready.