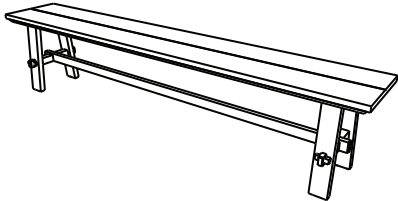


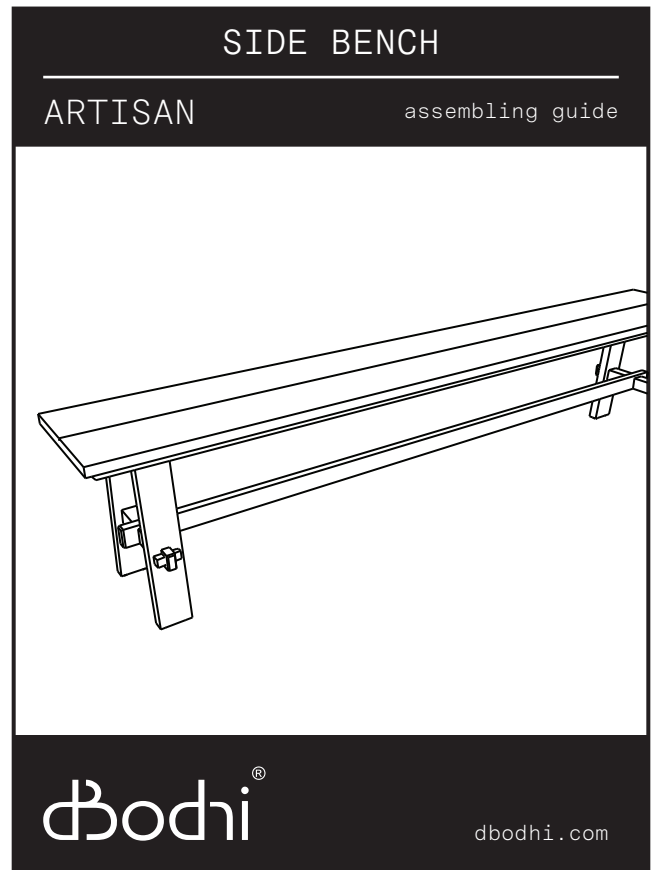
# ASSEMBLING GUIDE

Side Bench



## Material used

Wood : Finishing Not Polish  
 Iron : -

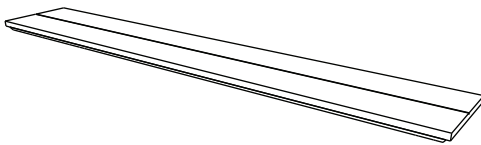


## Box Content

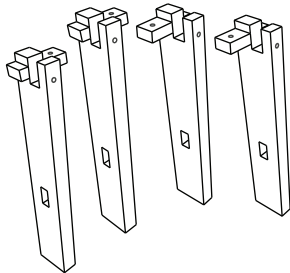
- a. Top bench 1 pc
- b. Legs 4 pcs
- c. Legs connector 2 pc
- d. Wooden locker 4 pcs
- e. Wooden feet rest 1 pc
- f. Hex screw JCBC M6x30mm : 10 pcs
- g. Allen key 1 pc



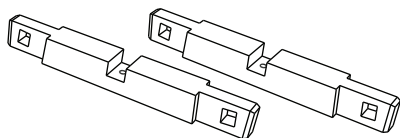
A



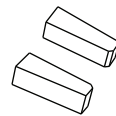
B



C



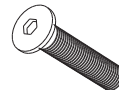
D



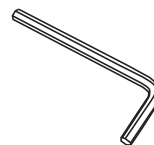
E

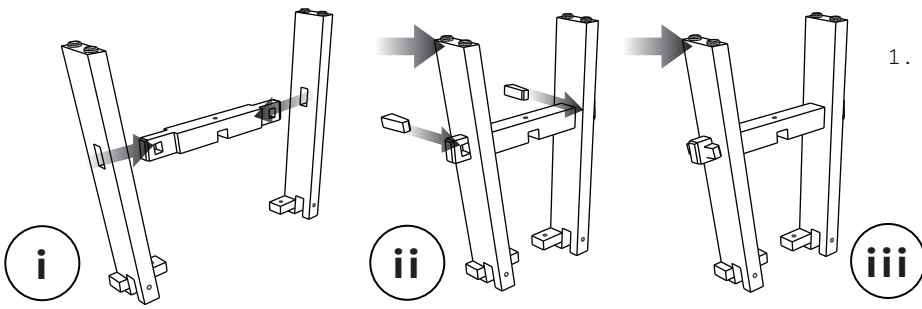


F

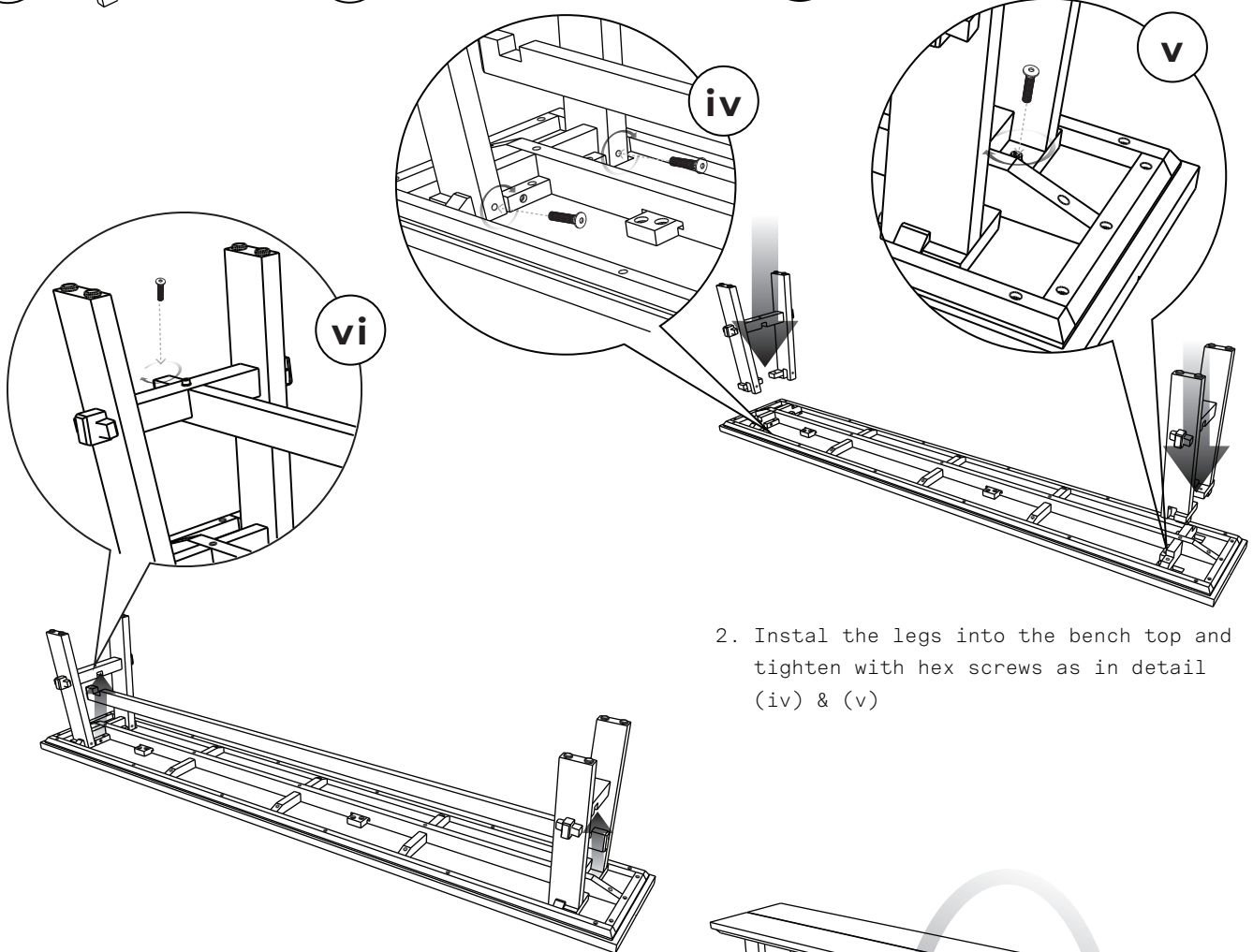


G



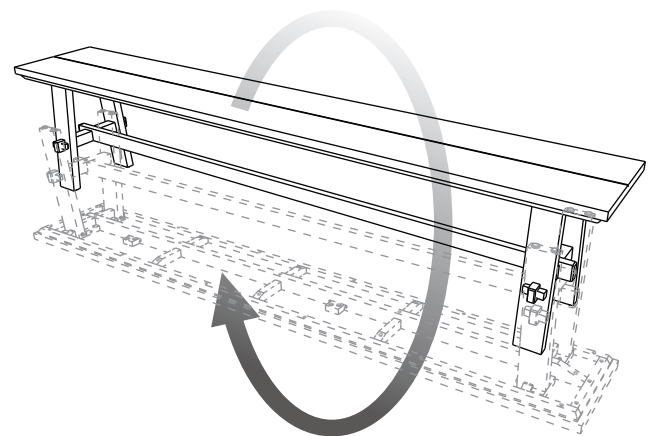
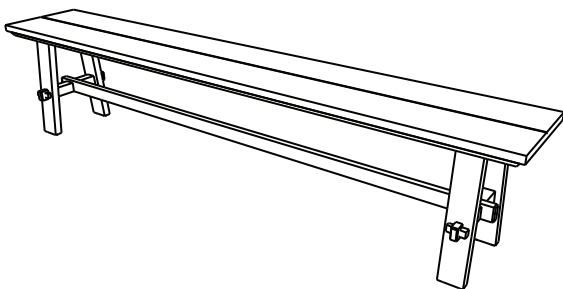


1. Stack the legs with leg connector (i) and lock with wooden locker (ii) as in detail above until its all connected (iii)



2. Instal the legs into the bench top and tighten with hex screws as in detail (iv) & (v)

3. Instal the wooden feet rest between the legs and tighten with hex screws as in detail (vi)



4. Rotate the side bench into its right position

5. Your side bench is ready.