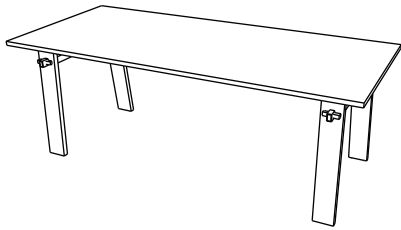


ASSEMBLING GUIDE

Dining Table

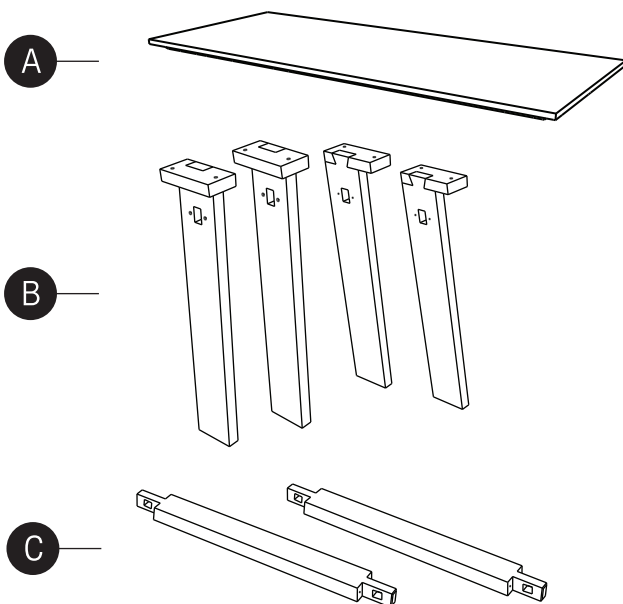


Material used

Wood : Finishing Not Polish
 Iron : -

Box Content

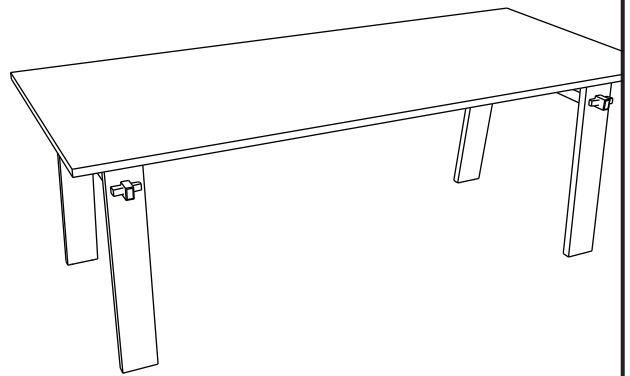
- a. Top table 1 pc
- b. Legs 4 pcs
- c. Legs connector 2 pc
- d. Wooden locker 4 pcs
- e. Hex screw M6x40mm : 20 pcs
- f. Allen key 1 pc



DINING TABLE

ARTISAN

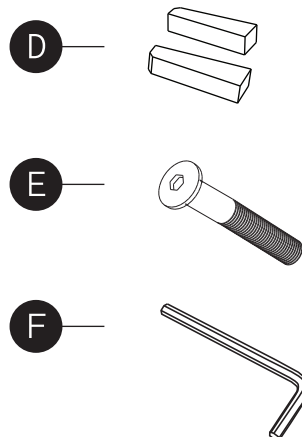
assembling guide

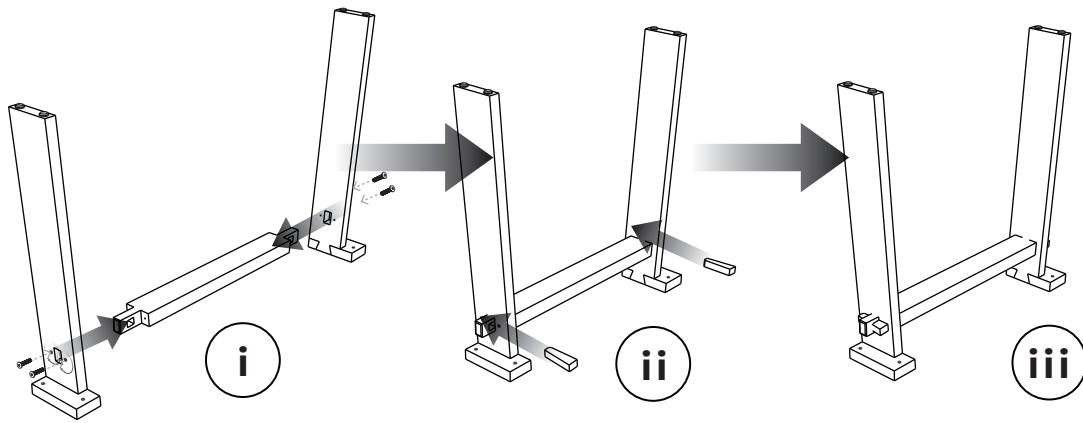


bodhi[®]

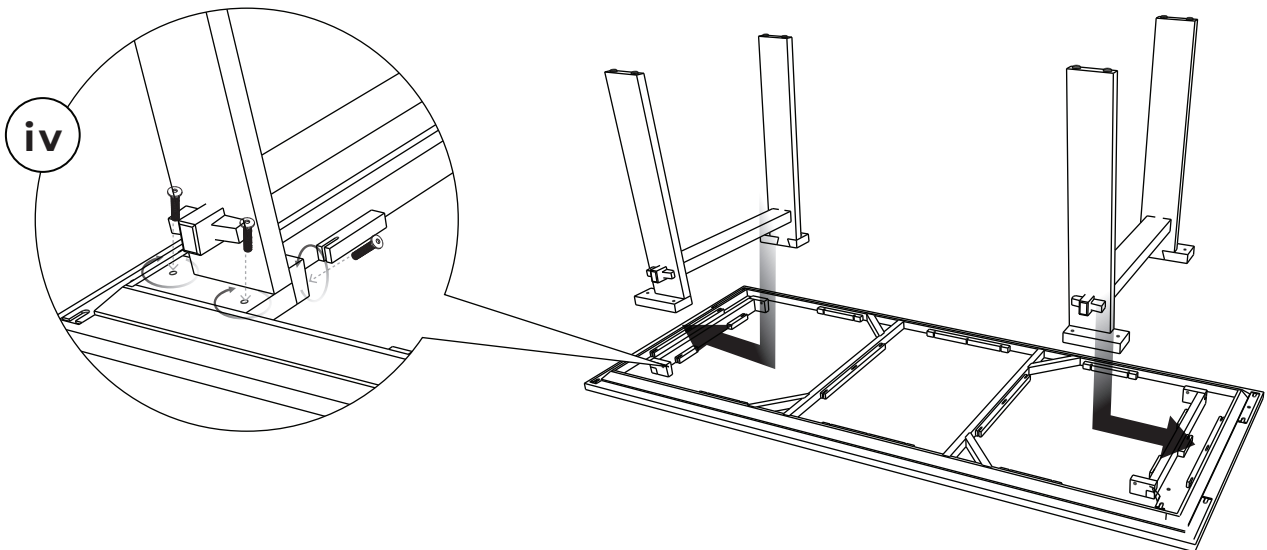
dbodhi.com

PERSON NEEDED

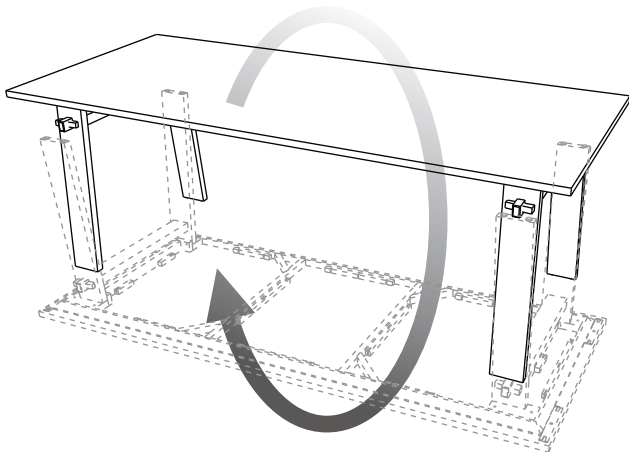




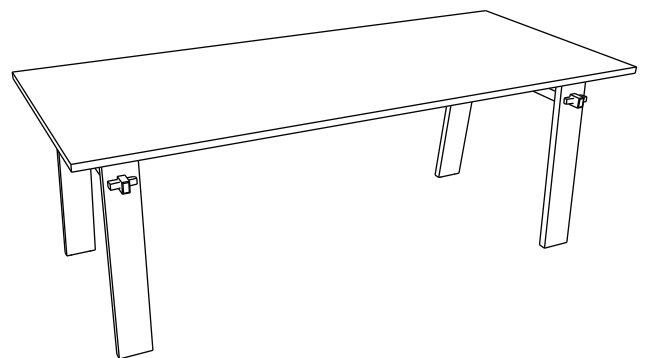
1. Stack the legs with leg connector and tighten with hex screw (i) and lock with wooden locker (ii) as in detail above until its installed (iii)



2. Instal the legs into the table top and tighten with hex screw as in detail (iv)



3. Rotate the table into its right position



4. Your dining table is ready.