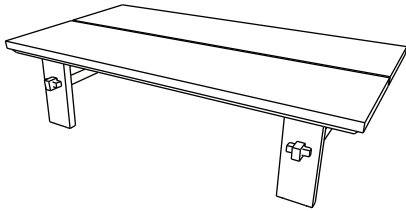


ASSEMBLING GUIDE

Coffee Table

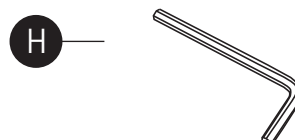
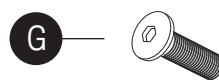
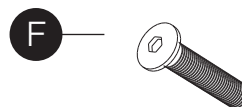
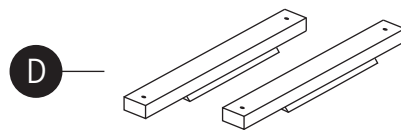
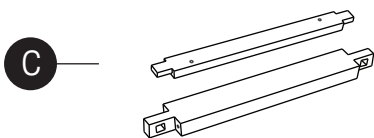
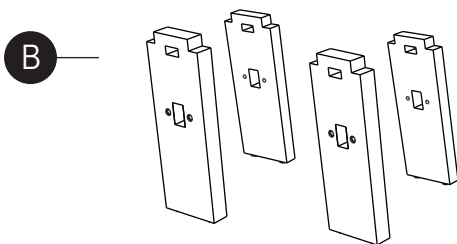
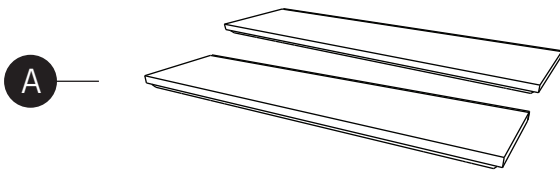


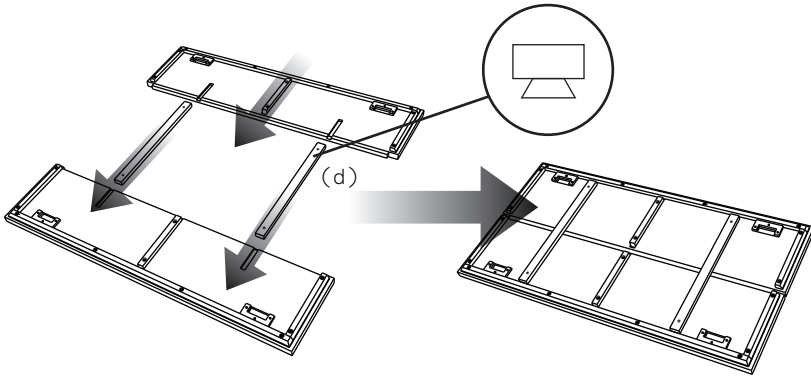
Material used

Wood : Finishing Not Polish
 Iron : -

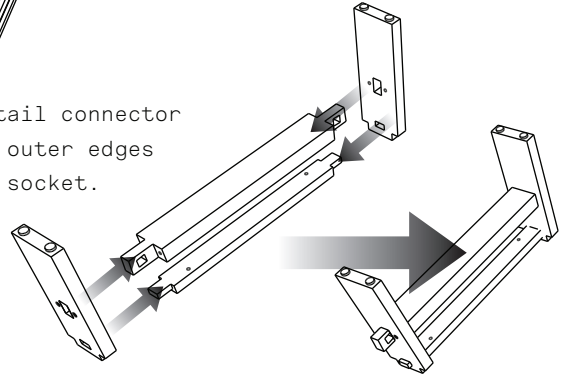
Box Content

- a. Top table 1 set
- b. Legs 4 pcs
- c. Legs connector 2 sets
- d. Top connector 2 pcs
- e. Wooden locker 4 pcs
- f. Hex Screw M6x40mm : 12 pcs
- g. Hex Screw M6x30mm : 4 pcs
- g. Allen key 1 pc

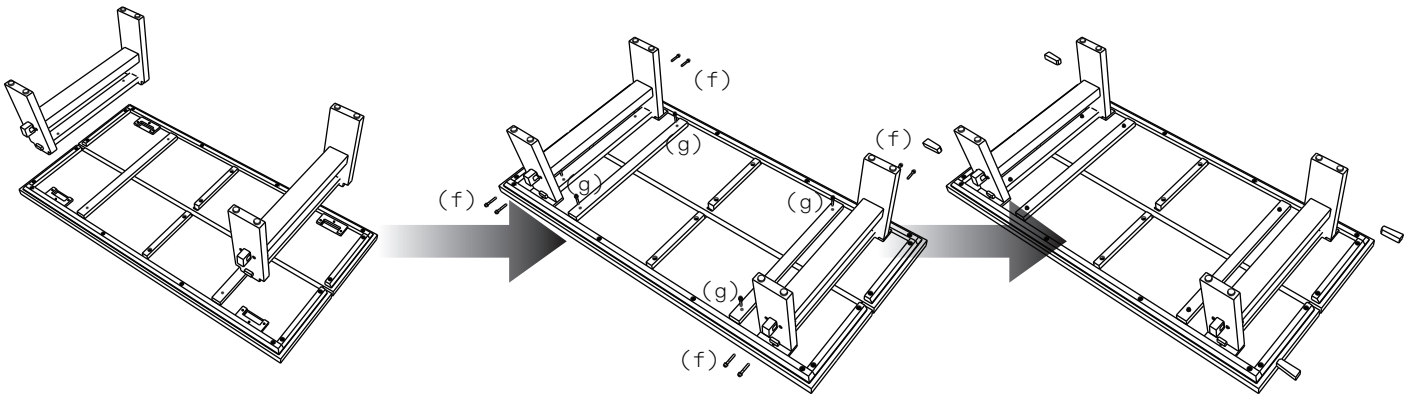




1. Connect each part of the tabletop by sliding the dovetail connector into the socket to assemble the joint. Line up one of outer edges of your dovetailed piece with one of the ends of your socket.



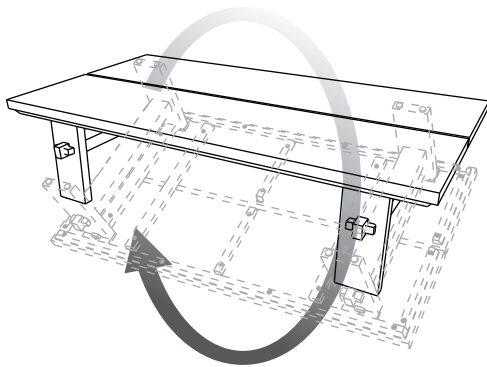
2. Place the legs connector between the legs like picture above.



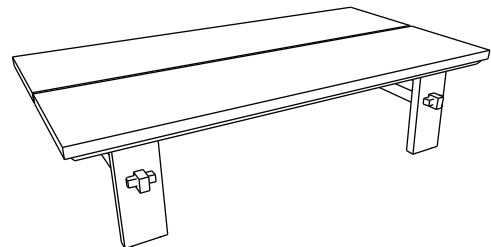
3. Combine it the legs into the table top that already joined

4. Tighten the leg and top connector with hex screw like picture above

5. Lock the leg with wooden locker like picture above



6. After its already installed, then rotate the table into its right position



7. Your coffee table is ready.