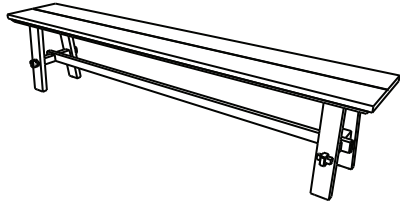


ASSEMBLING GUIDE

Bench



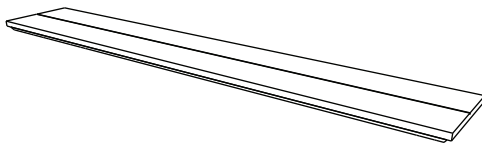
Material used

Wood : Finishing Not Polish
 Iron : -

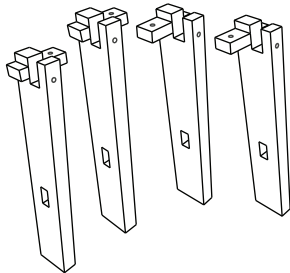
Box Content

- | | |
|------------------------|------------------------------------|
| a. Top bench 1 pc | e. Wooden feet rest 1 pc |
| b. Legs 4 pcs | f. Hex screw JCBC M6x30mm : 10 pcs |
| c. Legs connector 2 pc | g. Allen key 1 pc |
| d. Wooden locker 4 pcs | |

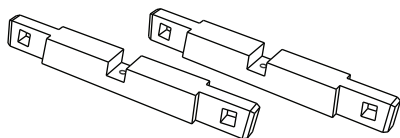
A



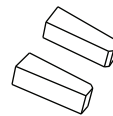
B



C



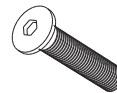
D



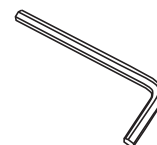
E



F



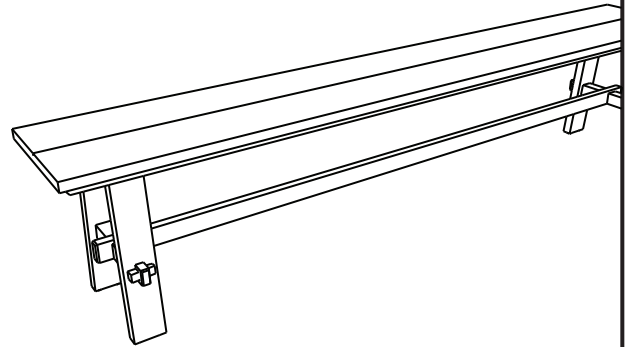
G



BENCH

ARTISAN

assembling guide

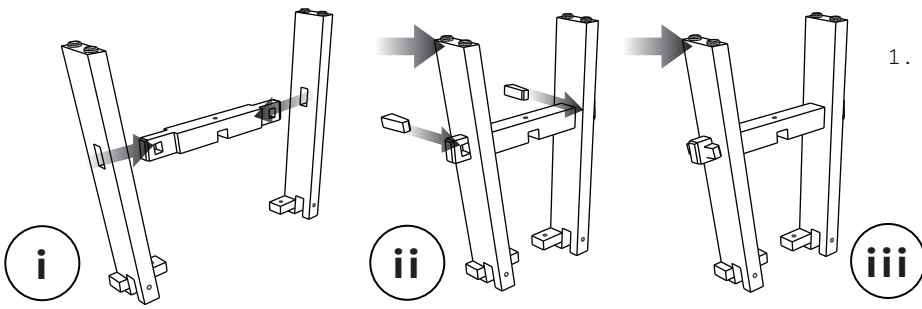


Bodhi[®]

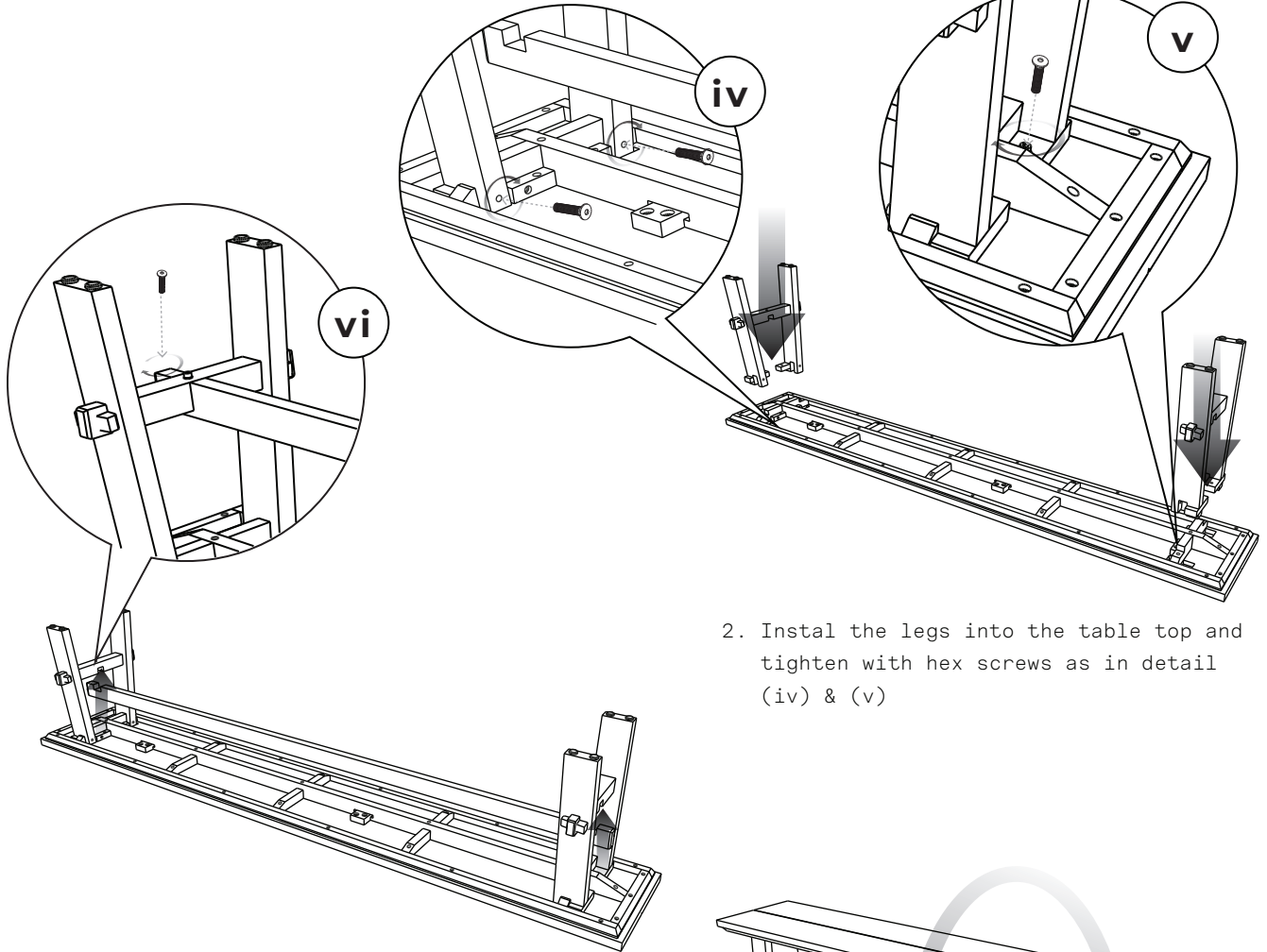
dbodhi.com

PERSON NEEDED



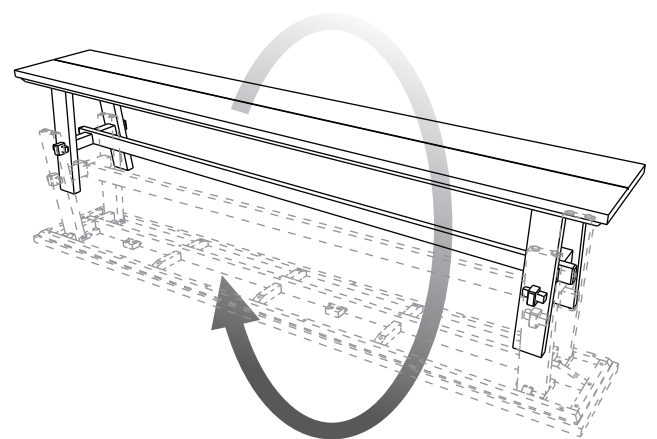


1. Stack the legs with leg connector (i) and lock with wooden locker (ii) as in detail above until its all connected (iii)

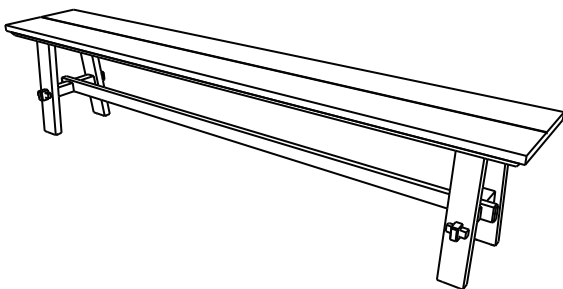


2. Instal the legs into the table top and tighten with hex screws as in detail (iv) & (v)

3. Instal the wooden feet rest between the legs and tighten with hex screws as in detail (vi)



4. Rotate the bench into its right position



5. Your bench is ready.