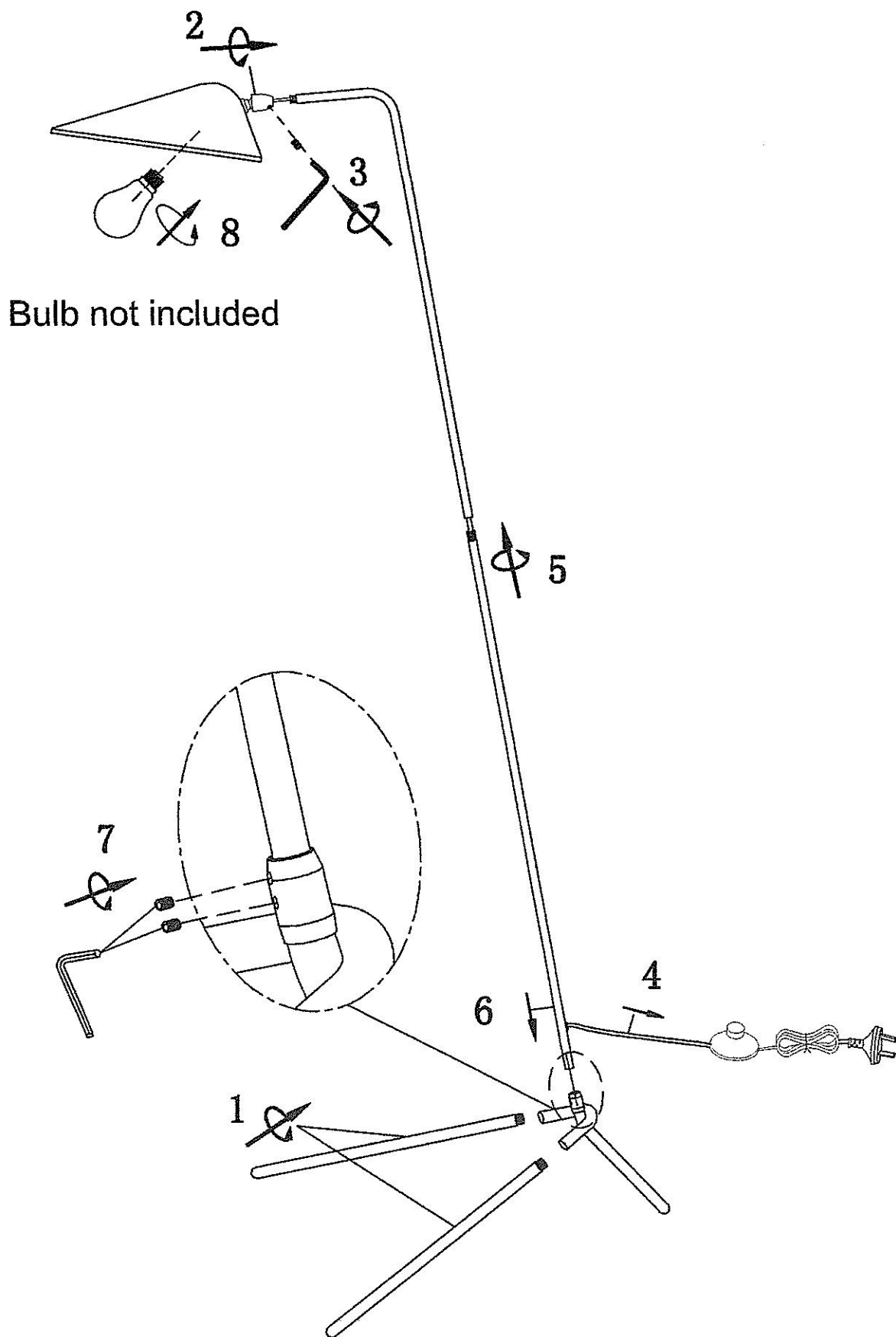


Model No. 1377



To avoid danger, a damaged external flexible cable (power supply) for this lamp may only be replaced by the manufacturer or its service representatives or a suitably qualified electrician.