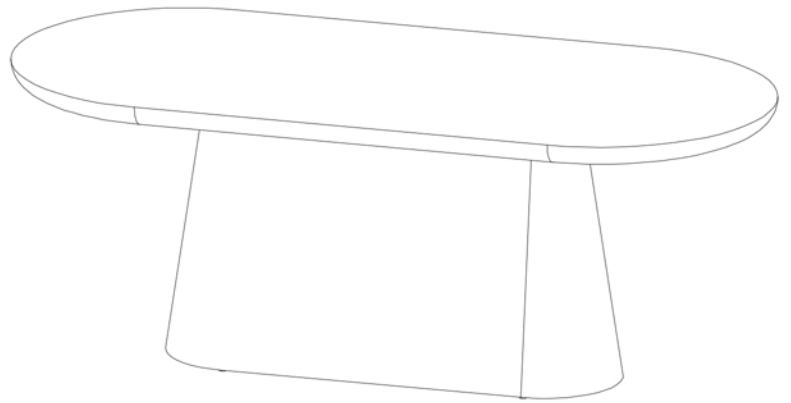


# Anderson Dining Table

---

## Assembly Instructions:

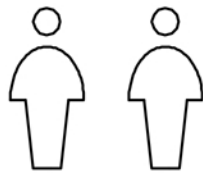
Thank you for purchasing this Dining Table. This page lists all the contents included in the box. Please take time to identify the hardware as well as the individual components of this product. Do not discard any of the packing material until all the hardware has been located. As you unpack and prepare for assembly, place the contents on a carpeted or padded area to protect them from damage.



---

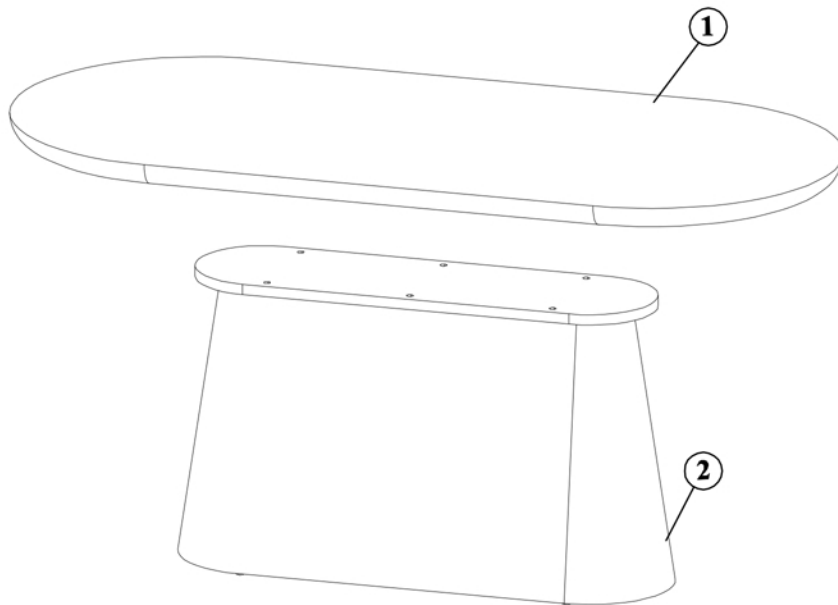
## Assembly Requirements

20 min



---

## Parts:

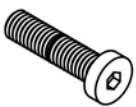


① Table Top - 1pc

② Base - 1pc

---

## Fittings:



(A) Machine Screw - 6pcs  
M8 x 40mm



(B) Washer - 12pcs  
19Ø x 2mm



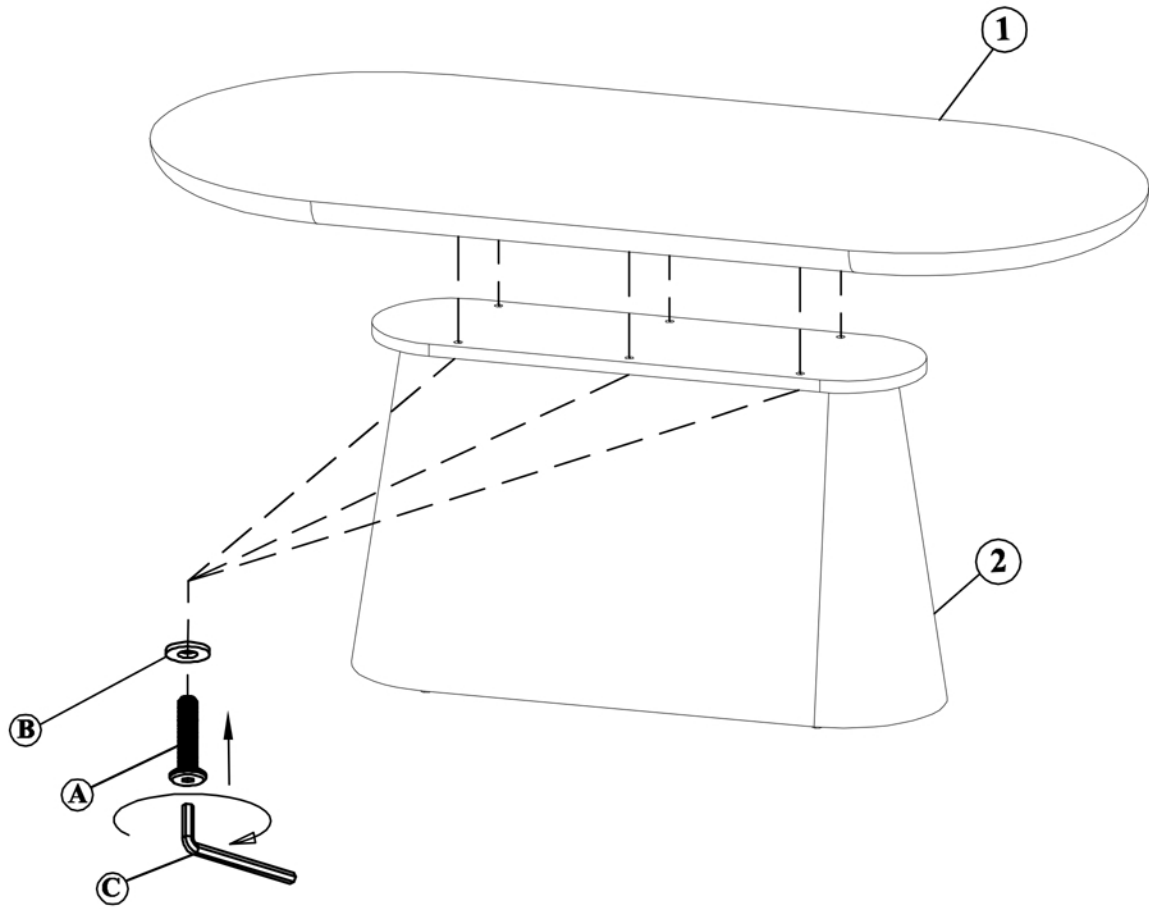
(C) Allen Key  
M4 x 60mm



# Anderson Dining Table

---

## Step 1



---

## Step 2

