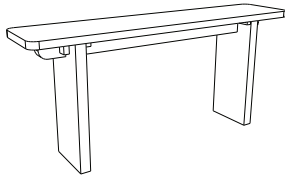


ASSEMBLING GUIDE

Side Table



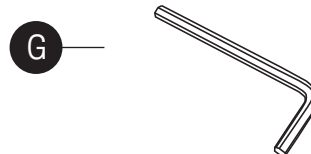
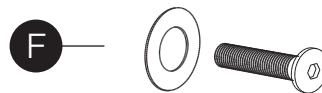
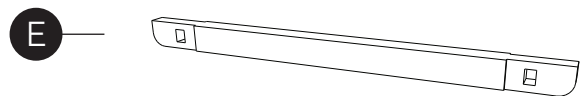
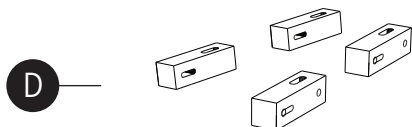
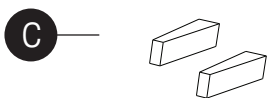
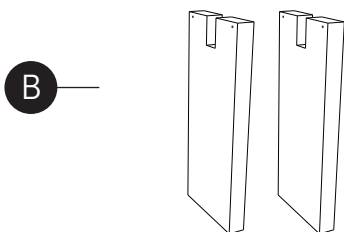
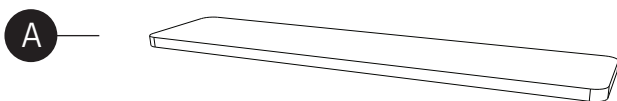
Material used

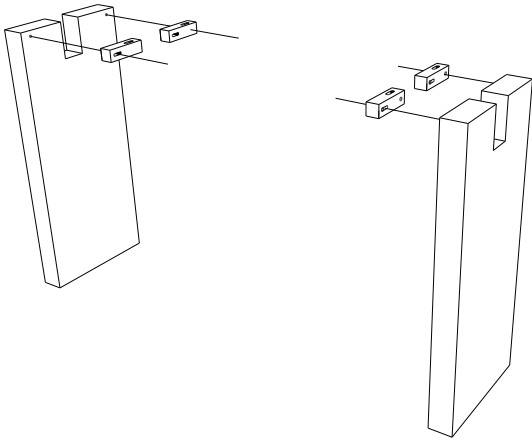
Wood : Finishing Not Polish
 Iron : -



Box Content

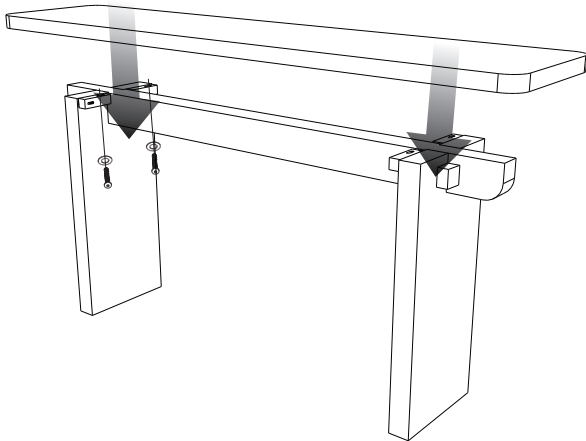
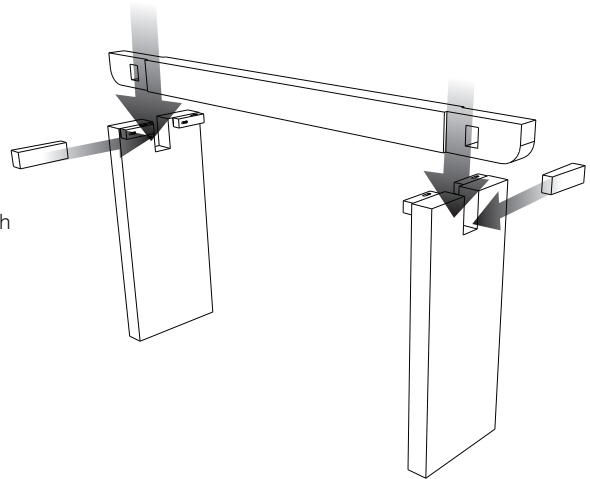
- | | |
|---------------------------|--|
| a. Tops 1 pc | e. Leg connector 1 pc |
| b. Legs 2 pcs | f. Hex screw JCBC M6x50mm + Rings : 12 pcs |
| c. Wooden locker 2 pcs | g. Allen key L4 : 1 pc |
| d. Wooden connector 4 pcs | |





1. Install Wooden connector on the legs into its right positions like picture on the left and tighten with bolt and rings.

2. Install the beam into the legs and lock it with wooden locker as picture on the right.



3. Install the table top into the legs like picture on the left and tighten the top table from below with bolt and rings through the wooden connector.

4. Your side table is ready to use!

