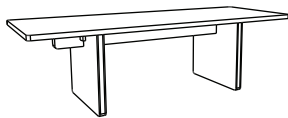


# ASSEMBLING GUIDE

Dining Table

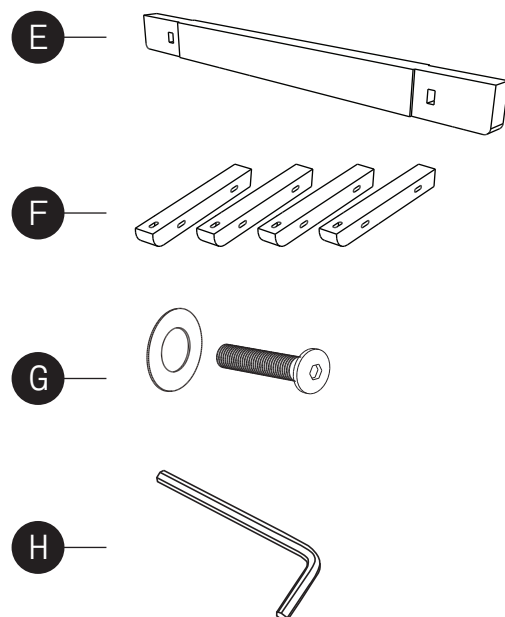
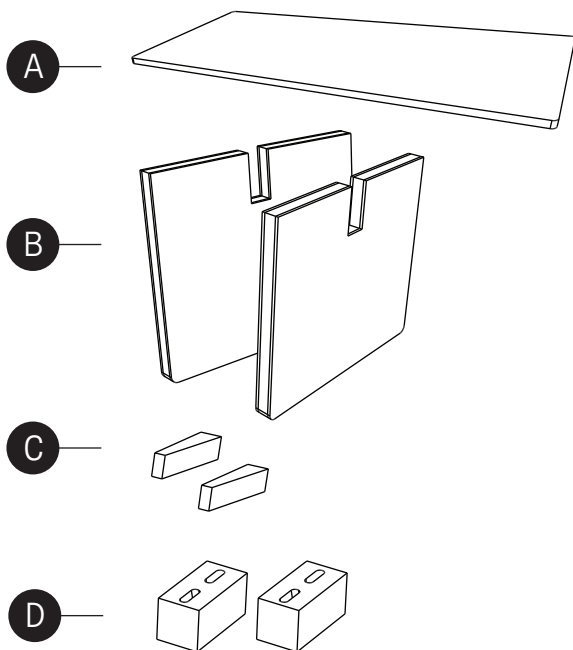


## Material used

Wood : Finishing Not Polish  
 Iron : -

## Box Content

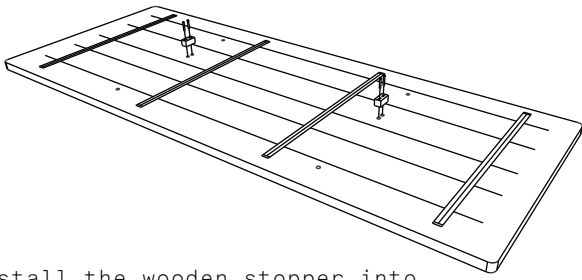
- |                         |  |
|-------------------------|--|
| a. Tops 1 pc            | e. Leg connector 1 pc                      |
| b. Legs 2 pcs           | f. Wooden connector 4 pcs                  |
| c. Wooden locker 2 pcs  | g. Hex screw JCBC M6x50mm + Rings : 16 pcs |
| d. Wooden stopper 2 pcs | h. Allen key L4 : 1 pc                     |



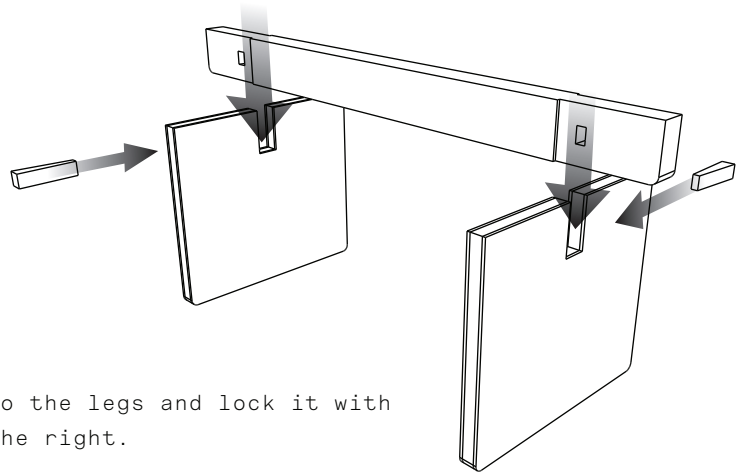
## DINING TABLE

ALPHA
assembling guide

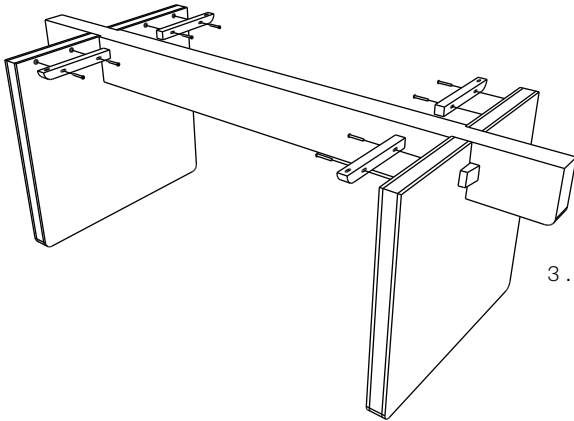
dbodhi.com



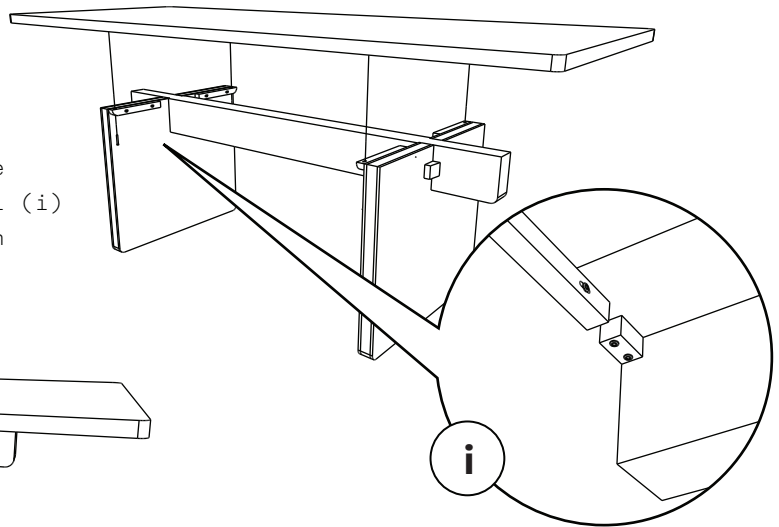
1. Install the wooden stopper into the table top and tighten with screw as picture above



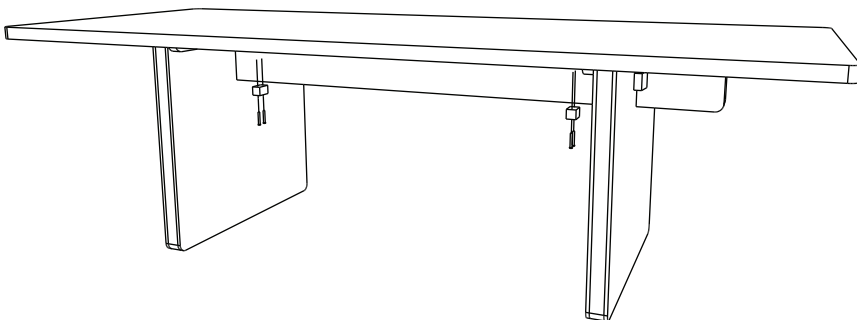
2. Install the leg connector into the legs and lock it with wooden locker as picture on the right.



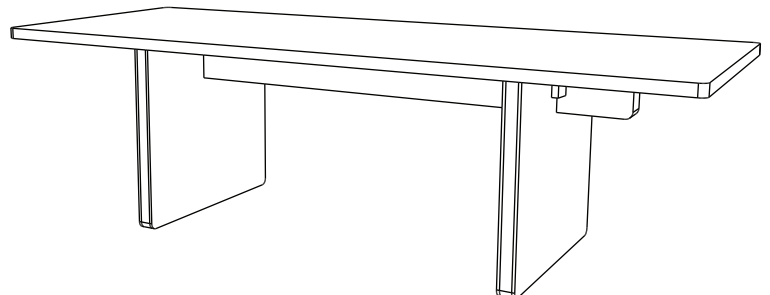
3. Install Wooden connector on the legs into its right positions like picture on the left.



4. Install the table top into the legs like picture on the right and make sure the table stopper into its right position and in detail (i) and tighten the top table with screw through the wooden connector.



5. After its match and tight, release the wooden stopper as picture above.



6. Your dining table is ready to use!