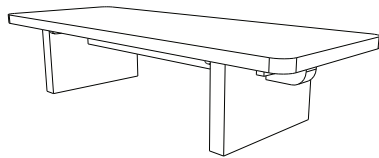


ASSEMBLING GUIDE

Coffee Table



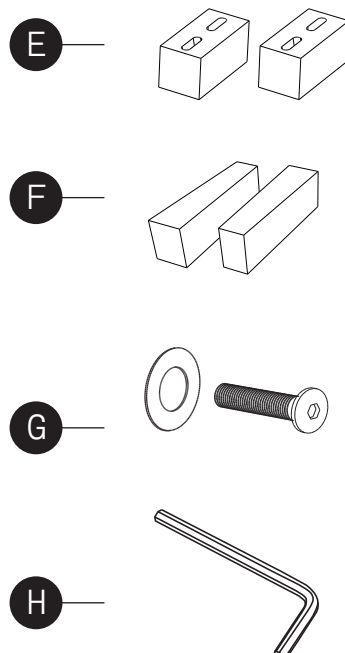
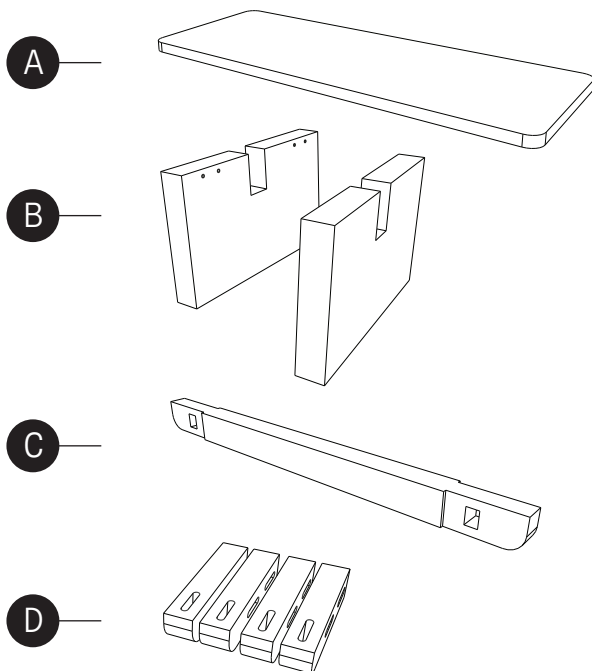
Material used

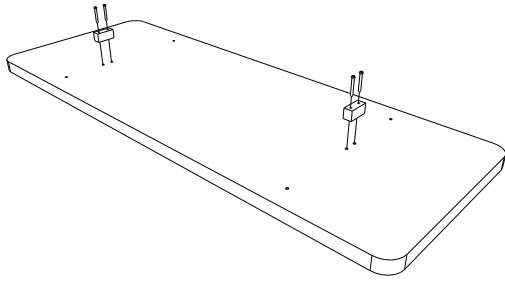
Wood : Finishing Not Polish
 Iron : -



Box Content

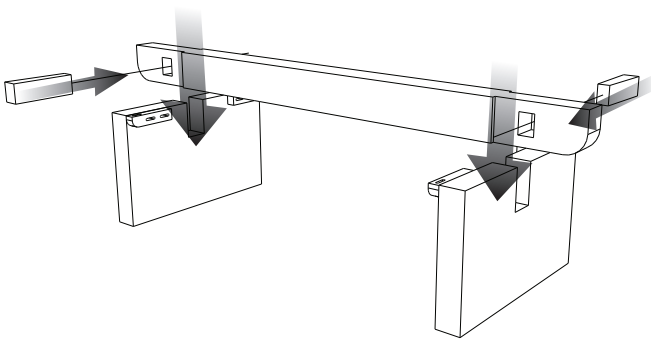
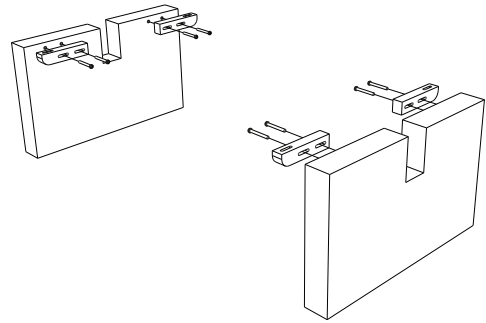
- | | |
|---------------------------|--|
| a. Tops 1 pc | e. Wodden stopper 2 pcs |
| b. Legs 2 pcs | f. Wooden locker 2 pcs |
| c. Wooden beam 1 pc | g. Hex screw JCBC M6x50mm + Rings : 16 pcs |
| d. Wooden connector 4 pcs | h. Allen key L4 : 1 pc |





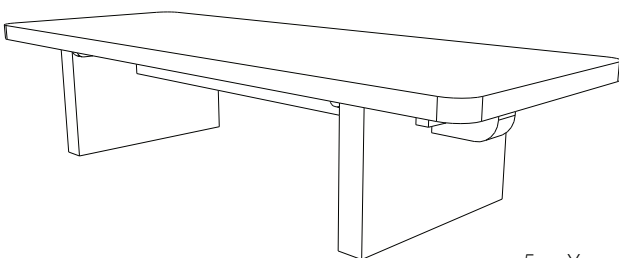
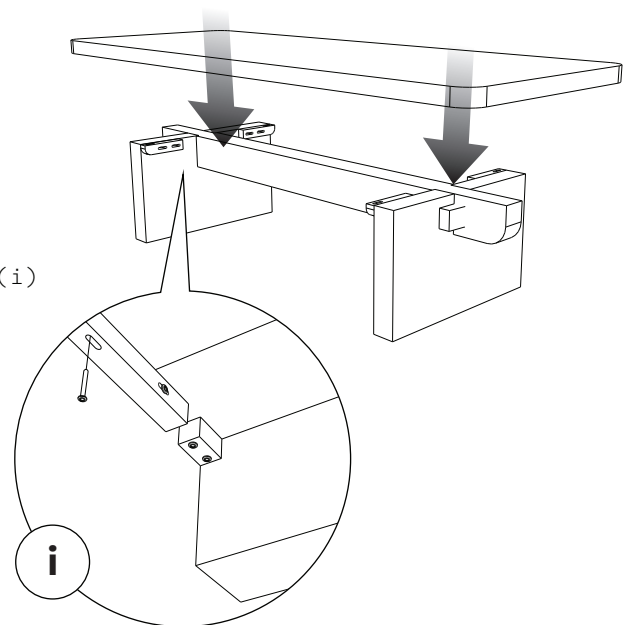
1. Install the wooden stopper into the table top and tighten with screw as picture on the left.

2. Install wooden connector on the legs into its right positions like picture on the right and tighten with bolt and rings.



3. Install the wooden beam into the legs and lock it with wooden locker as picture on the left.

4. Install the table top into the legs like picture on the right and make sure the table stopper into its right position and in detail (i) and tighten the top table with screw through the wooden connector.



5. Your coffee table is ready to use!