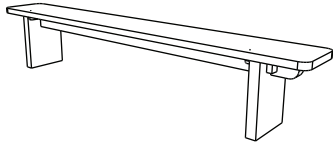


ASSEMBLING GUIDE

Bench



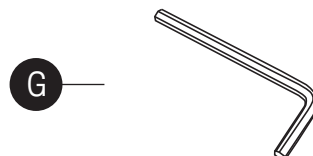
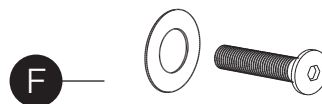
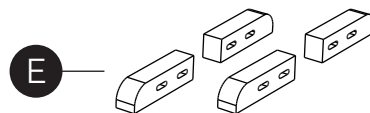
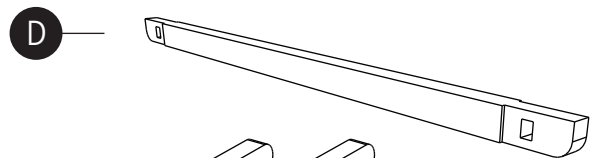
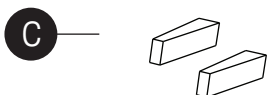
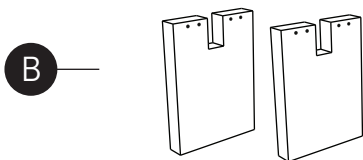
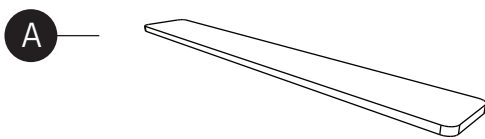
Material used

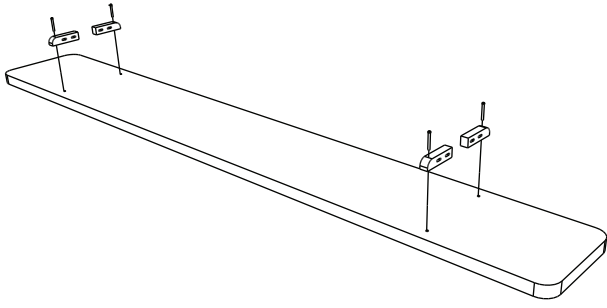
Wood : Finishing Not Polish
 Iron : -



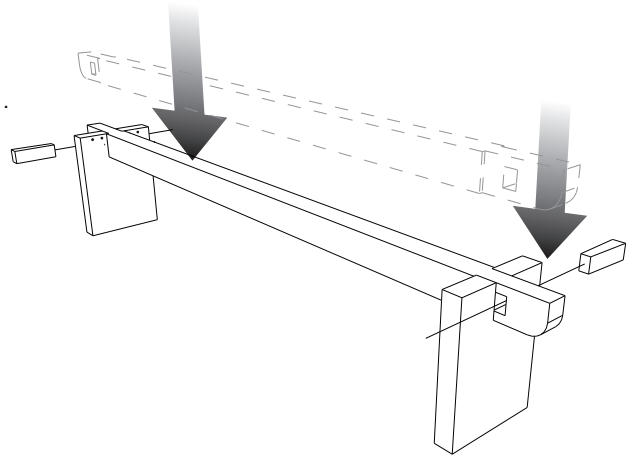
Box Content

- | | |
|------------------------|--------------------------------------------|
| a. Tops 1 pc | e. Wooden connector 4 pcs |
| b. Legs 2 pcs | f. Hex screw JCBC M6x50mm + Rings : 12 pcs |
| c. Wooden locker 2 pcs | g. Allen key L4 : 1 pc |
| d. Leg connector 1 pc | |

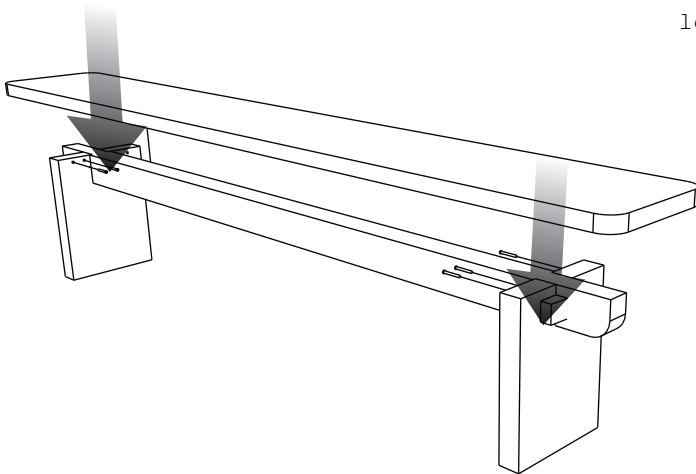




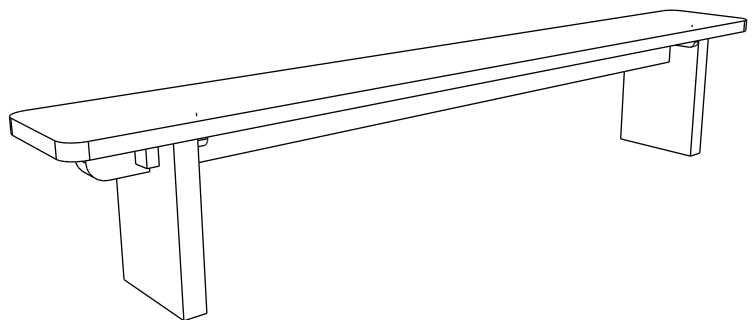
1. Install the wooden connector into the table top and tighten with screw as picture above.



2. Install the leg connector into the legs and lock it with wooden locker as picture above.



3. Install the bench top into the legs like picture above and tighten the top table with screw through the wooden connector.



4. Your bench is ready to use!
-