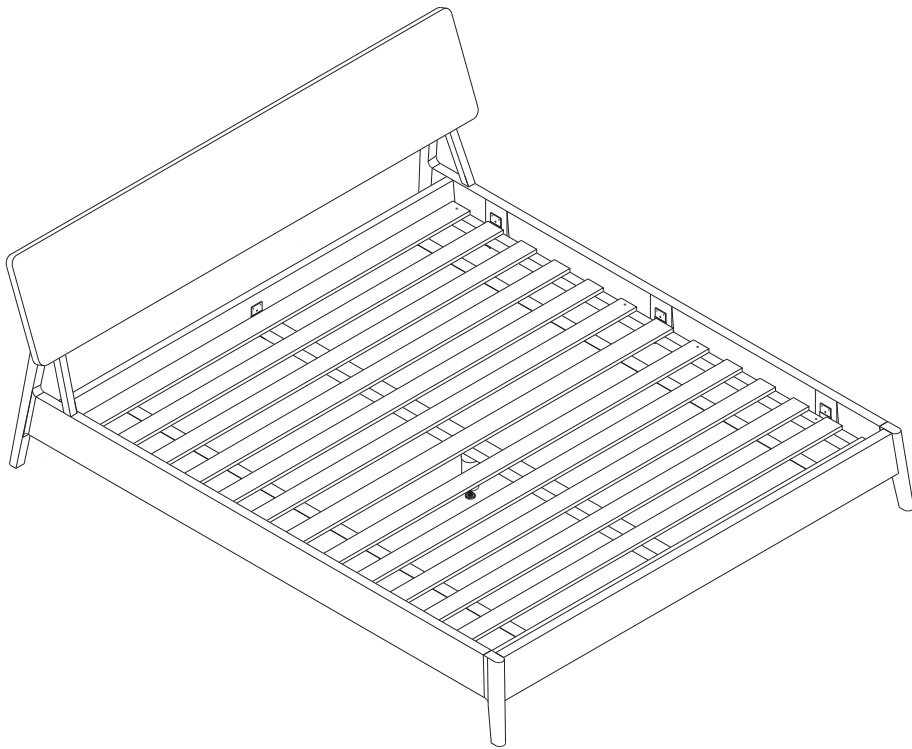


Ethnicraft

ASSEMBLY INSTRUCTIONS FOR BED INSTALLATION

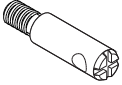


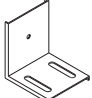

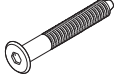
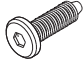





OAK AIR BED - WITH SLATS

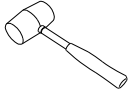
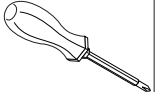
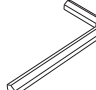
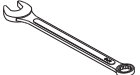
51213	OAK AIR BED - US KING SIZE - WITH SLATS 193/203/96
51214	OAK AIR BED - US QUEEN SIZE - WITH SLATS 153/203/96

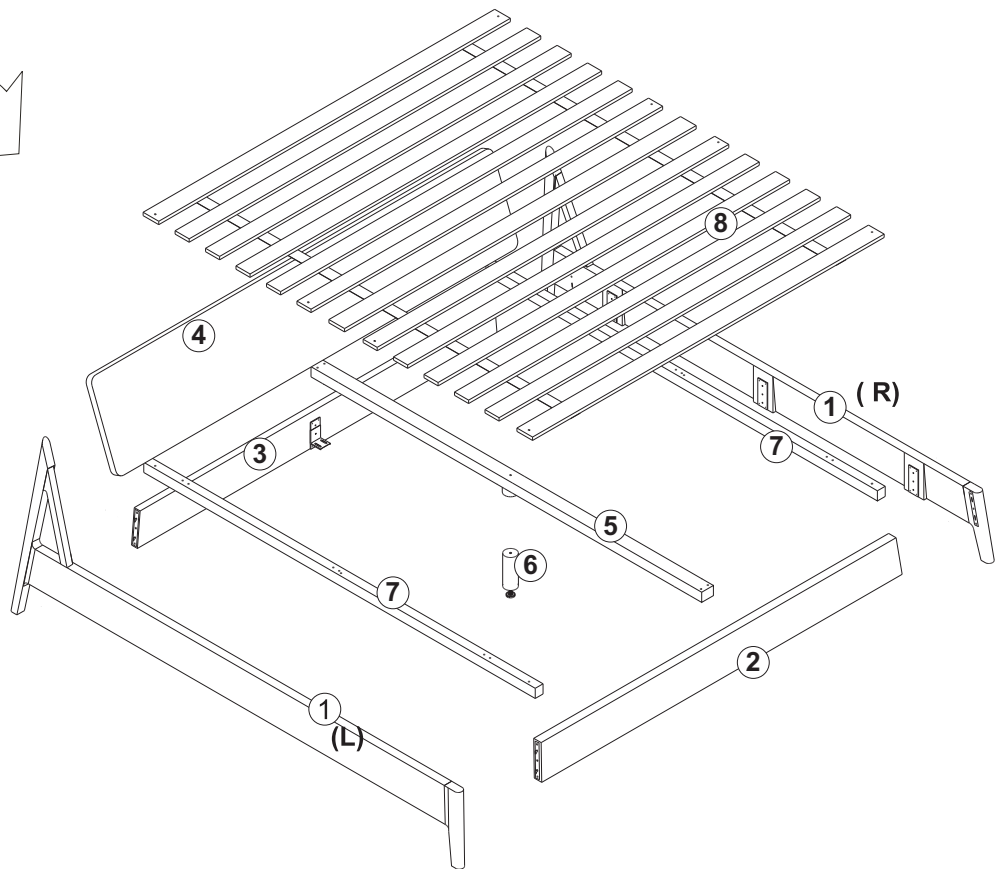
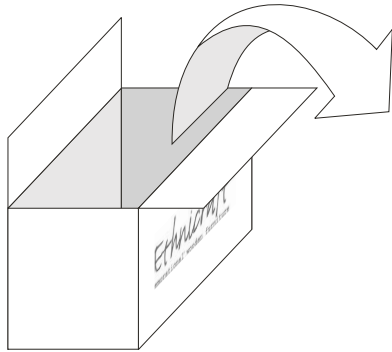
OAK AIR BED - WITH SLATS ASSEMBLY INSTRUCTIONS FOR BED INSTALLATION

HARDWARE ENCLOSED

 Bolt Connector (4pcs)	 Screw Connector (4pcs)	 Dowel (4pcs)	 L Bracket (8pcs)	 JCBC Screw M6x6 (8pcs)
 Countersunk Screw M6x50 (1pc)	 JCBC Screw M6x20 (4pcs)	 Washer M5 (12pcs)	 Nut M5 (12pcs)	 JF Screw M5x40 (20pcs)

TOOLS

 RUBBER HAMMER (Not included in package)	 SCREWDRIVER (Not included in package)
 L KEY (Included in package)	 WRENCH (Not included in package)

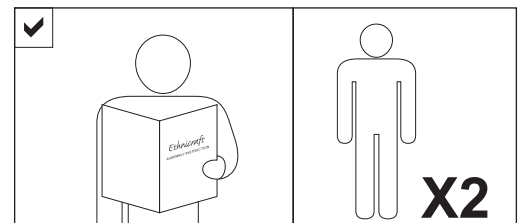


IN YOUR PACKAGE :
ASSEMBLY INSTRUCTIONS
HARDWARE (AS LISTED ABOVE)

PARTS TO BE INSTALLED

1. SIDERAILS 2pcs
2. FOOTBOARD 1pc
3. HEADBOARD RAIL 1pc
4. HEADBOARD 1pc
5. CENTER SUPPORTS 1pc
6. CENTER LEG 1pc
7. SLAT SUPPORTS 2pcs
8. SLATS 1set

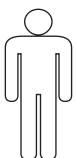
NOTICE



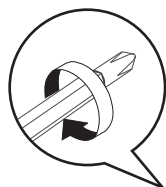
SYMBOLS



DIRECTION



NUMBER OF PERSONS NEEDED



USE SCREWDRIVER TO TIGHTEN



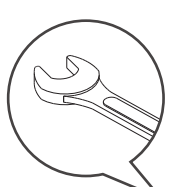
USE L KEY TO TIGHTEN



USE RUBBER HAMMER



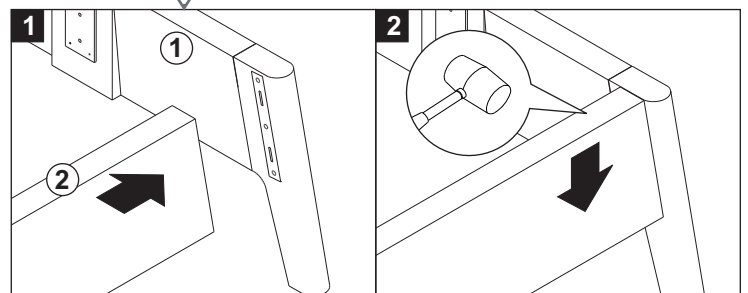
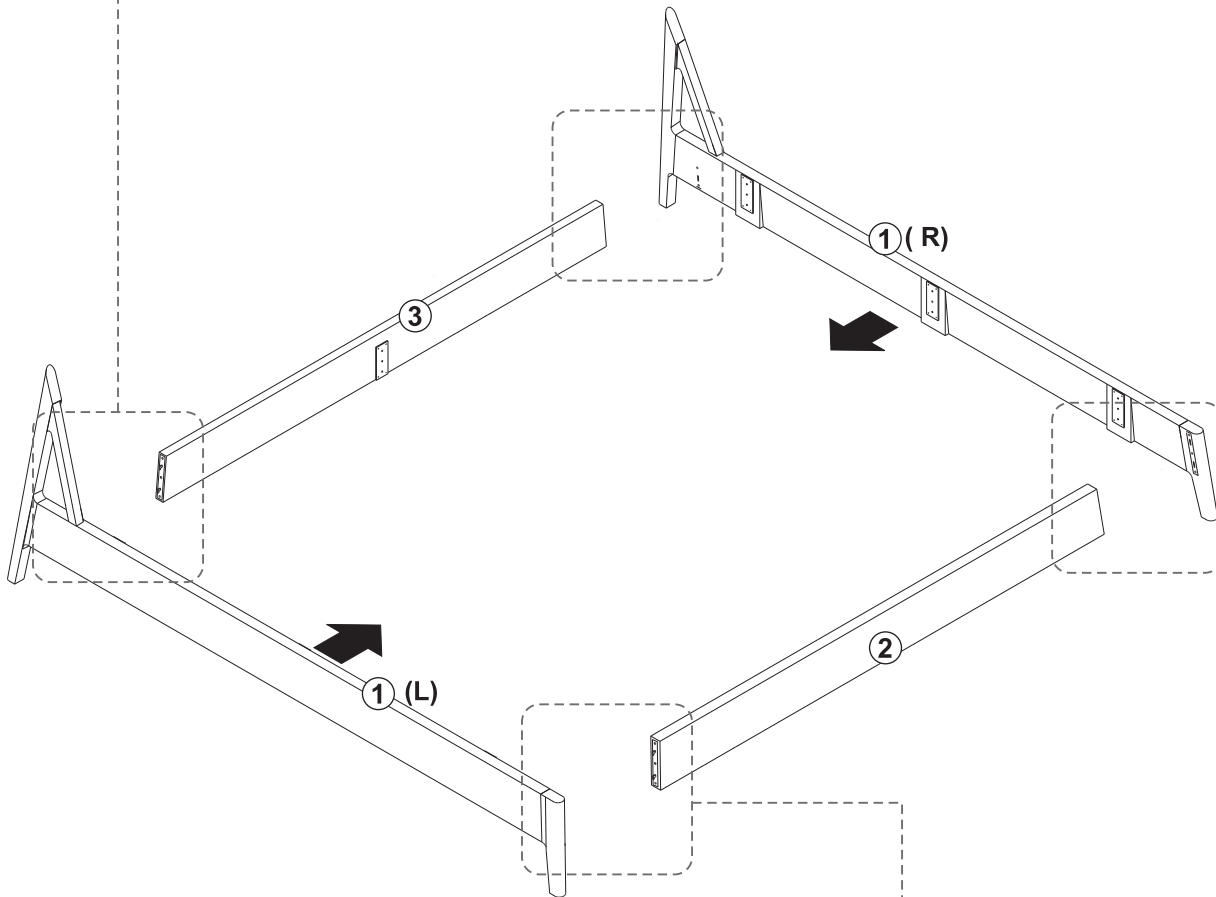
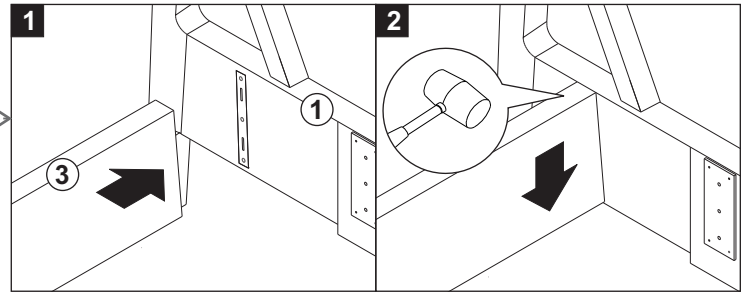
USE HAND



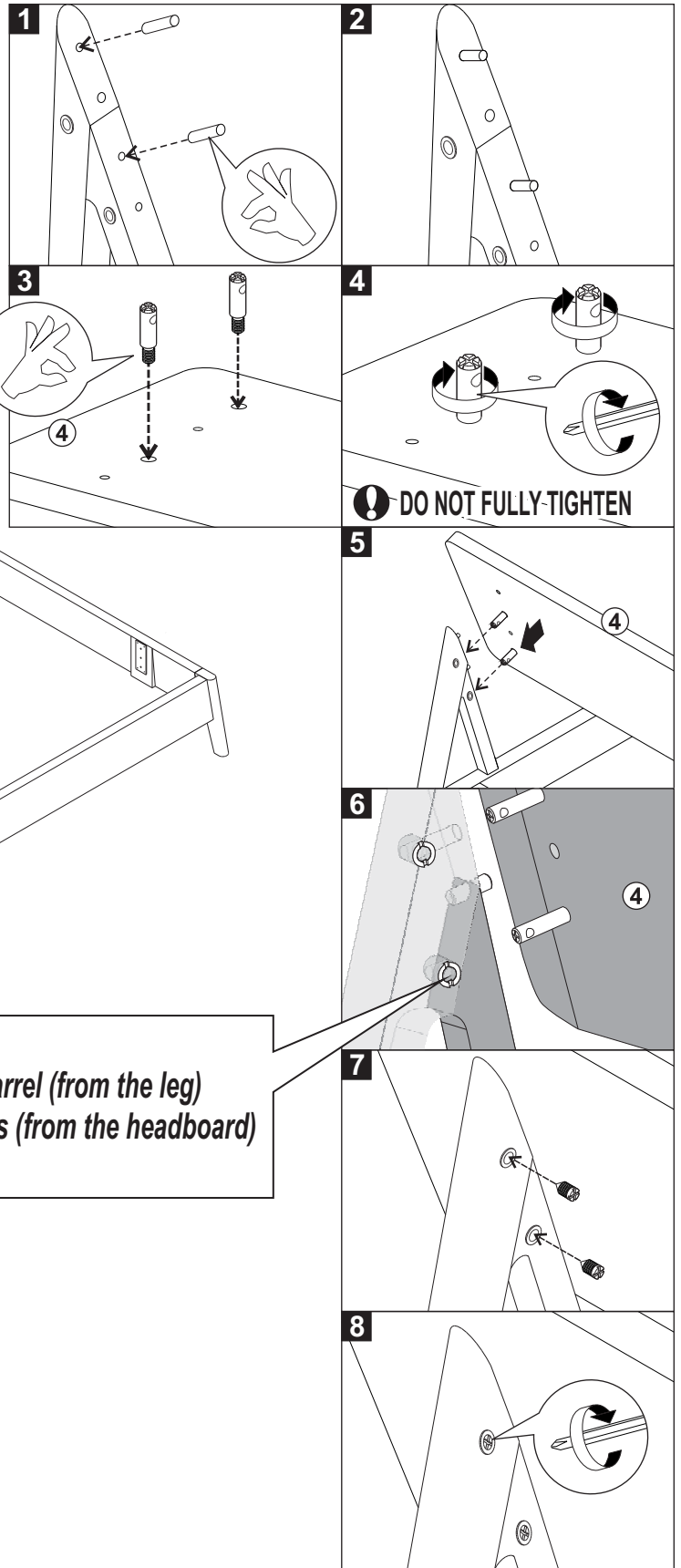
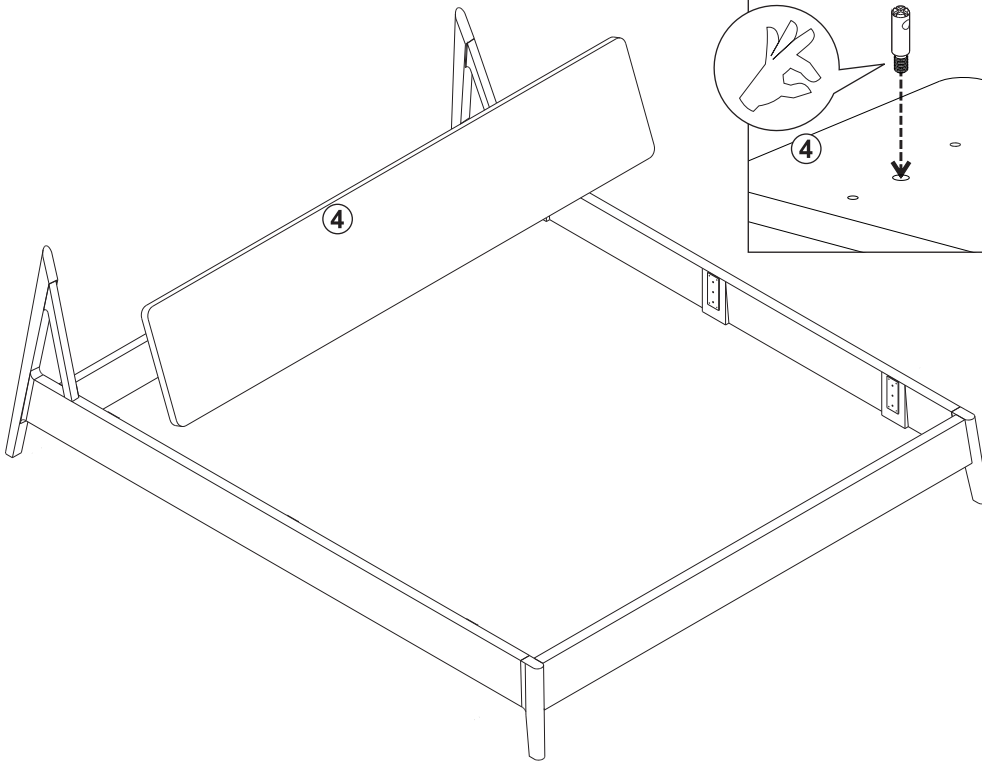
USE WRENCH TO TIGHTEN

OAK AIR BED - WITH SLATS ASSEMBLY INSTRUCTIONS FOR BED INSTALLATION

A. INSTALLING SIDERAIL + FOOTBOARD + HEADBOARD RAIL



B. INSTALLING HEADBOARD



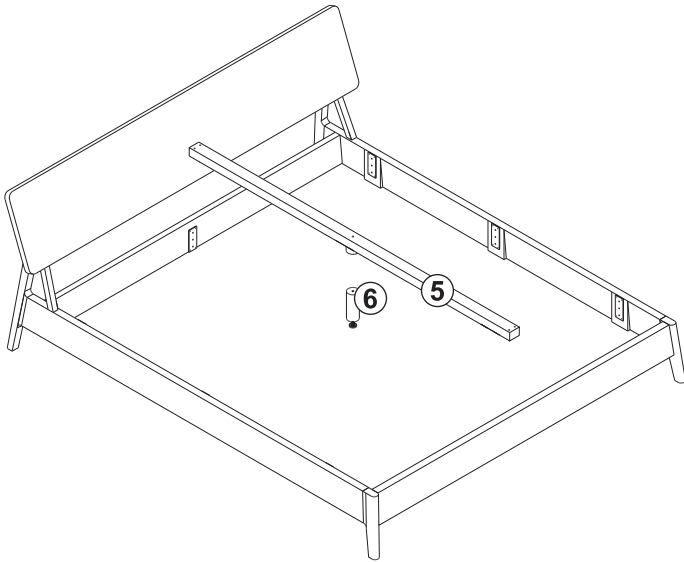
Note:
Before placing the headboard turn the barrel (from the leg) with a screwdriver so the bolt-connectors (from the headboard) fit into the barrels.



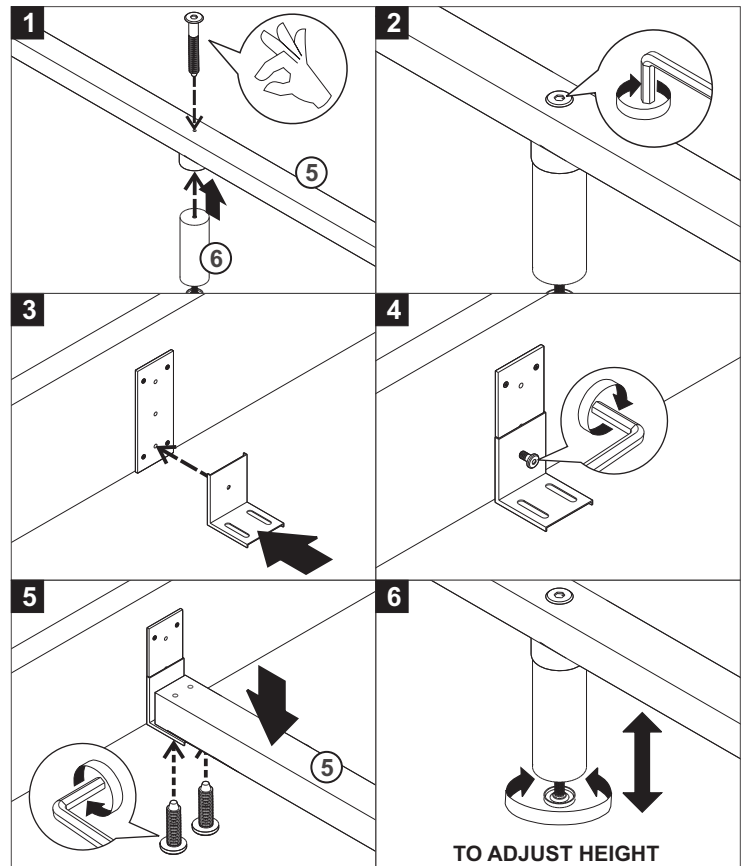
- USE DOWEL (4X)
- USE BOLT CONNECTOR (4X)
- USE SCREW CONNECTOR (4X)
- TIGHTEN FULLY

OAK AIR BED - WITH SLATS
ASSEMBLY INSTRUCTIONS FOR BED INSTALLATION

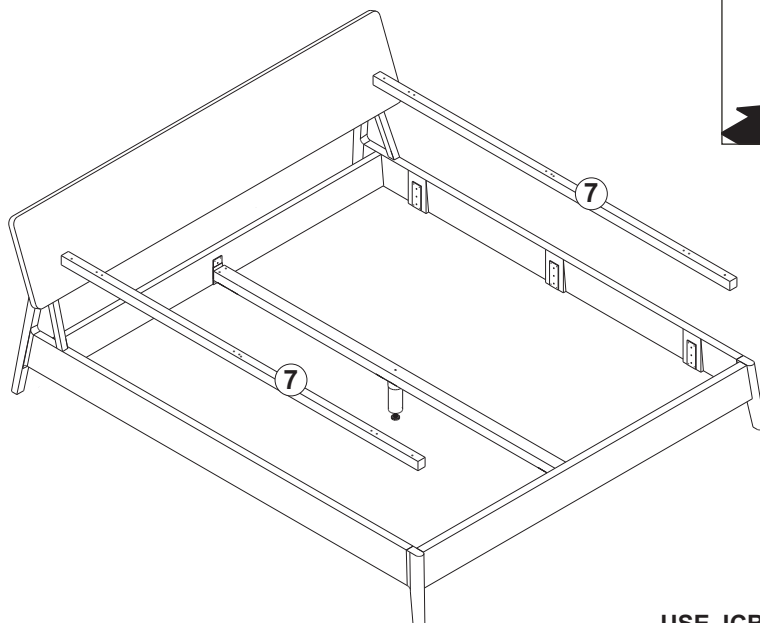
C. INSTALLING MIDDLE SUPPORT & CENTER LEG



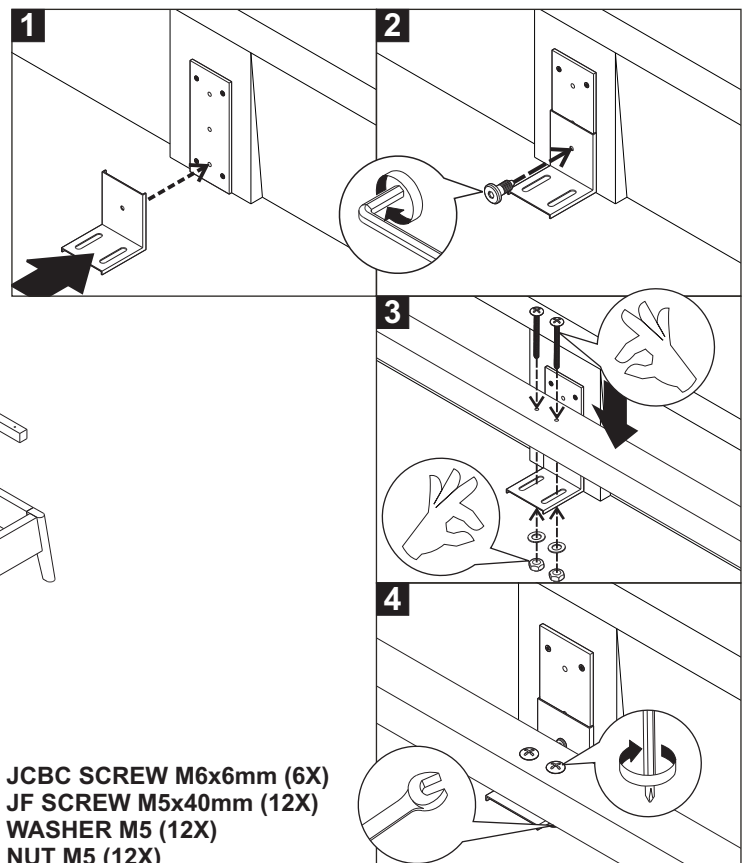
- USE JCBC SCREW M6x6mm (2X)
- USE COUNTERSUNK SCREW M6x50mm (1X)
- USE JCBC SCREW M6x20mm (4X)
- TIGHTEN FULLY ALL SCREWS



D. INSTALLING L BRACKET TO SIDE RAIL

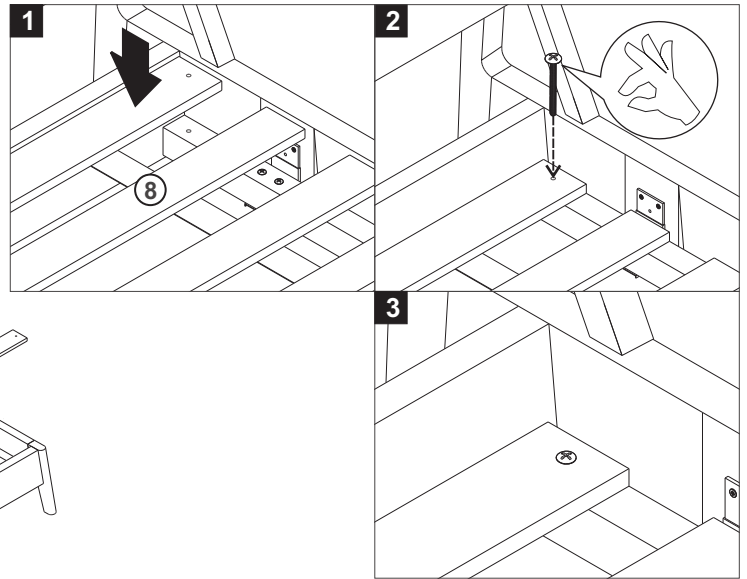
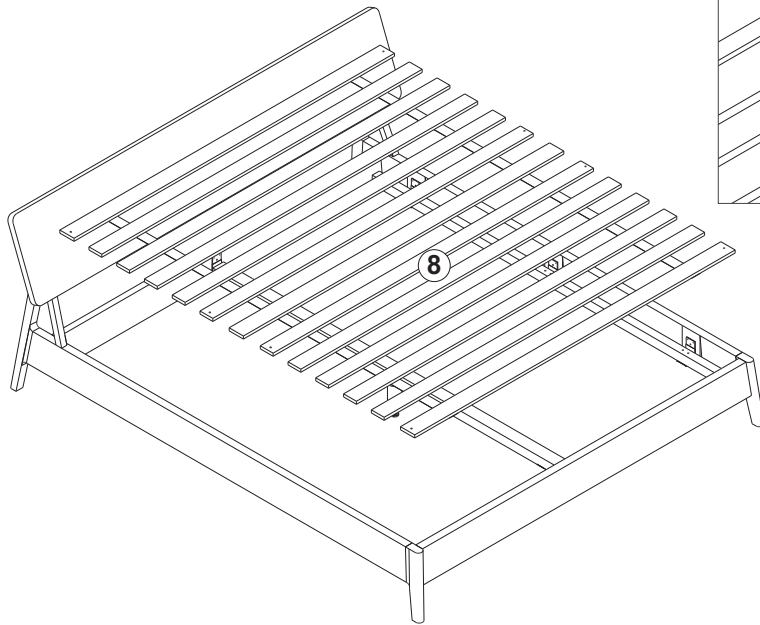


- USE JCBC SCREW M6x6mm (6X)
- USE JF SCREW M5x40mm (12X)
- USE WASHER M5 (12X)
- USE NUT M5 (12X)
- TIGHTEN FULLY ALL SCREWS



OAK AIR BED - WITH SLATS ASSEMBLY INSTRUCTIONS FOR BED INSTALLATION

E. INSTALLING SLATS



 USE JF SCREW M5x40mm (8X)

 SLATS TO BE ASSEMBLED ARE NUMBER 1, 6, 8 AND 13

F. FINISH

