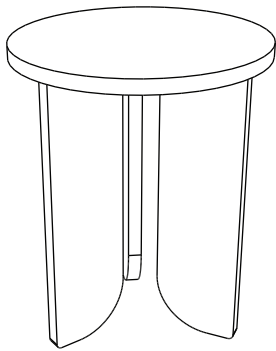


ASSEMBLING GUIDE

Ace Side Table

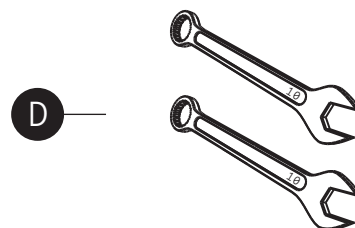
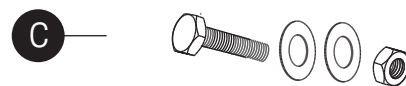
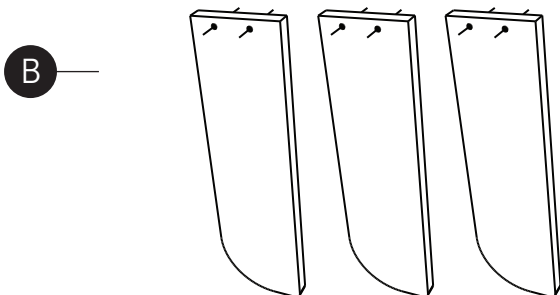
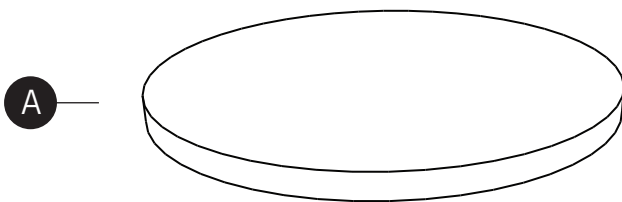


Material used

Wood : FNP
Iron : -

Box Content

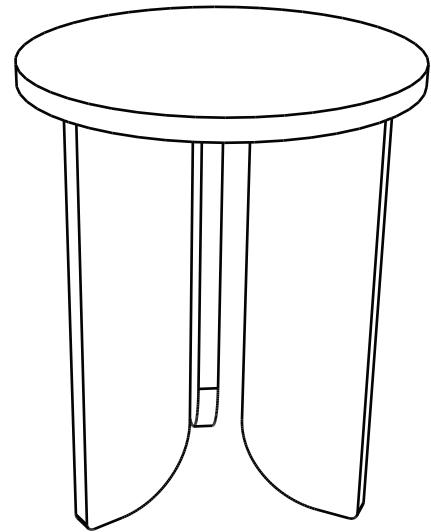
- a. Top table 1 pc
- b. Legs 3 pcs
- c. Bolts rings and nuts M6x90mm : 6 pcs
- d. Tool 2 pc



SIDE TABLE

ACE

assembling guide

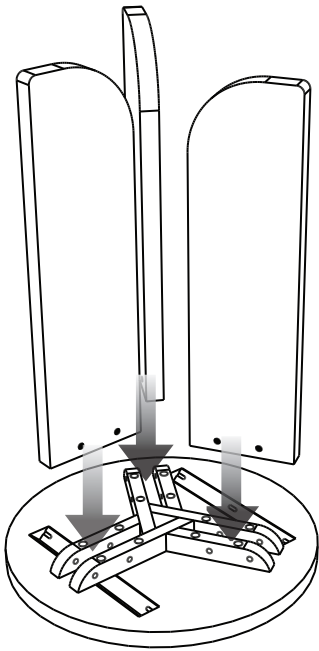


Bodhi®

dbodhi.com

PERSON NEEDED

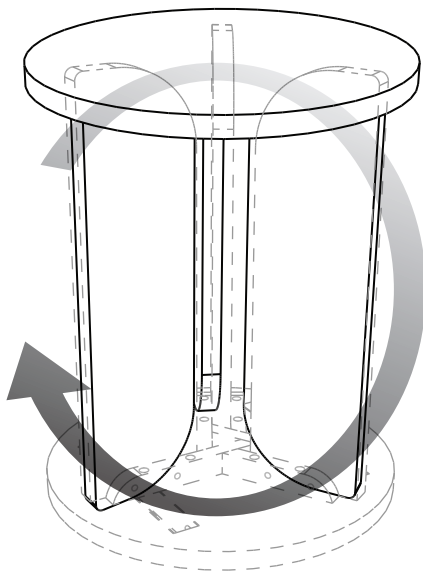
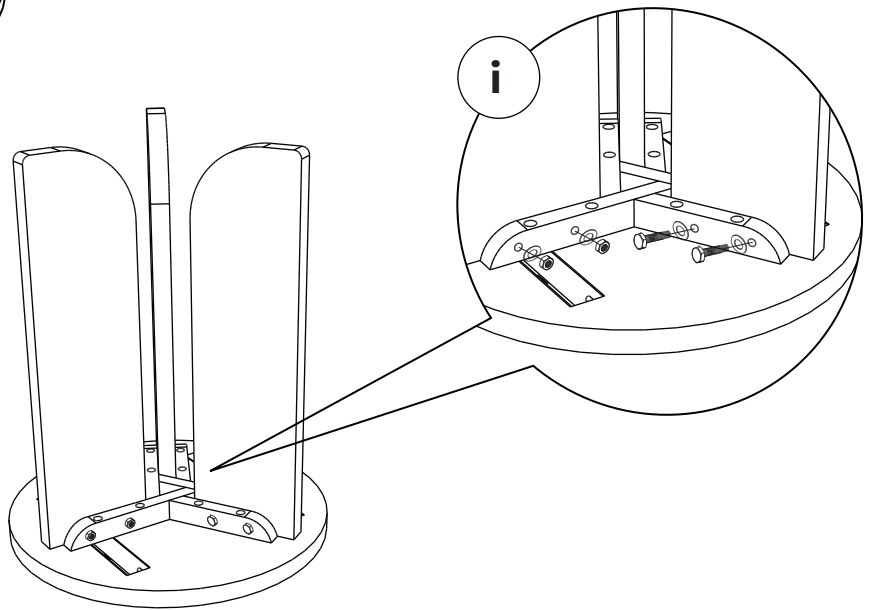




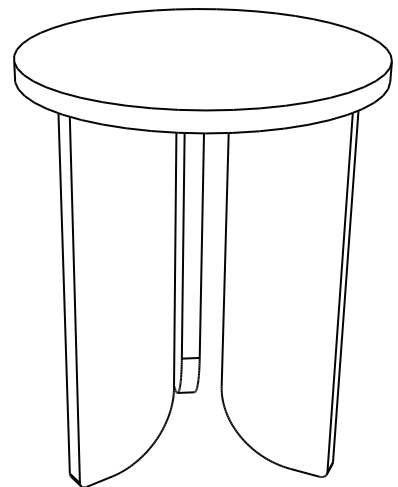
1. Install the leg into the table top like picture on the left.

Note : Make sure the code is correctly paired.

2. Tighten with bolt ring and nut as in details (i).



3. Rotate the table into its right position.



4. Your Side Table is ready.