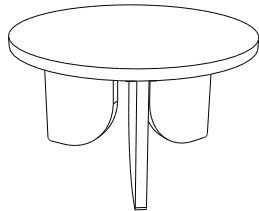


ASSEMBLING GUIDE

Ace Side Table



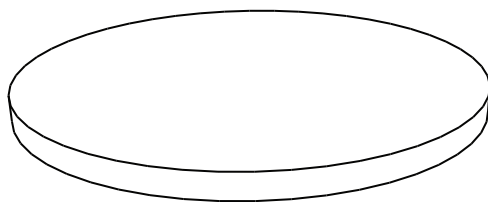
Material used

Wood : FNP
Iron : -

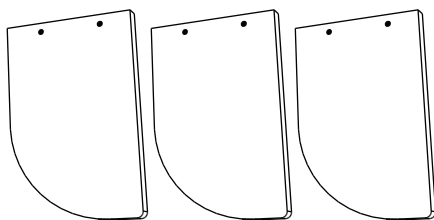
Box Content

- a. Top table 1 pc
- b. Legs 3 pcs
- c. Bolts rings and nuts M6x80mm : 6 pcs
- d. Tool 2 pc

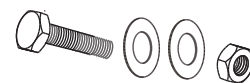
A



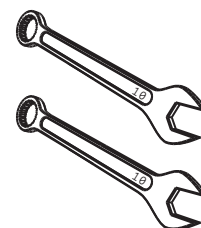
B



C



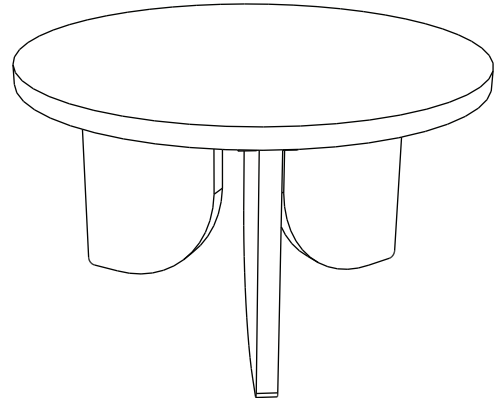
D



COFFEE TABLE

ACE

assembling guide

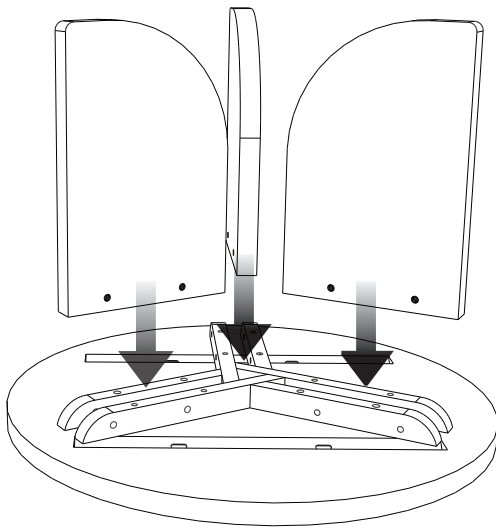


Bodhi®

dbodhi.com

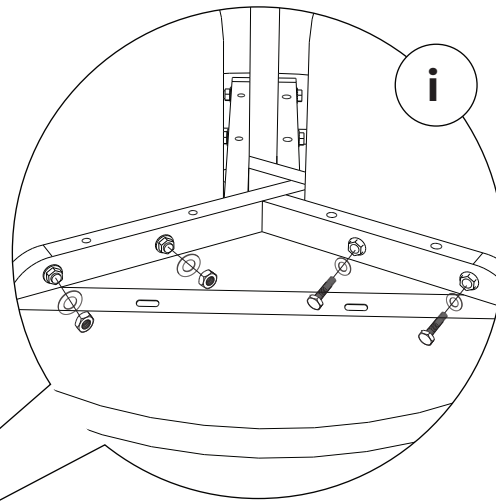
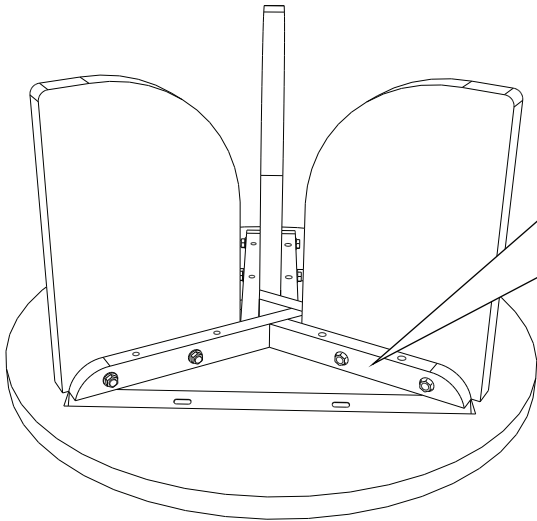
PERSON NEEDED



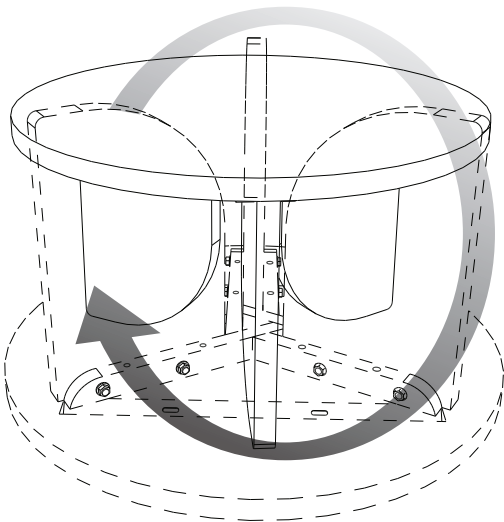


1. Install the leg into the table top like picture on the left.

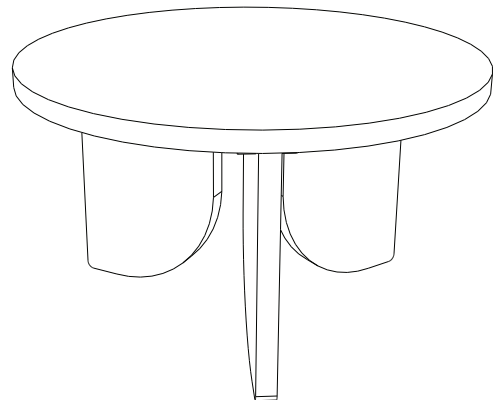
Note : Make sure the code is correctly paired.



2. Tighten with bolt ring and nut as in details (i).



3. Rotate the table into its right position.



4. Your Side Table is ready.