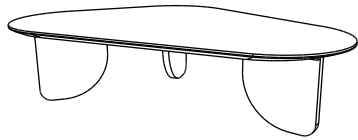


ASSEMBLING GUIDE

Coffee Table

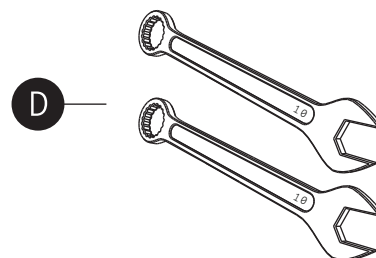
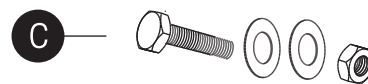
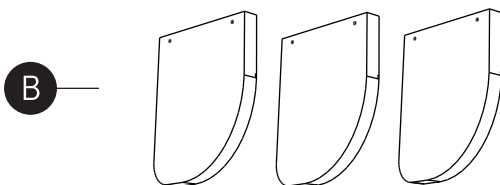


Material used

Wood : Finishing Not Polish
 Iron : -

Box Content

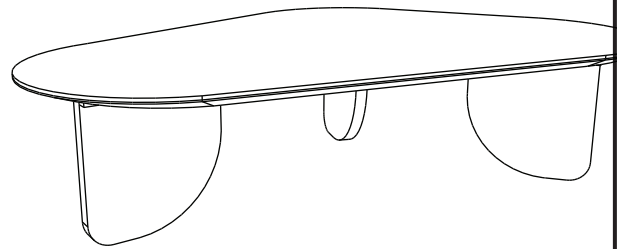
- a. Top table 1 pc
- b. Legs 3 pcs
- c. Bolt, ring and nut M6x90mm : 6 pcs
- d. Tool 2 pcs



COFFEE TABLE

ACE

assembling guide

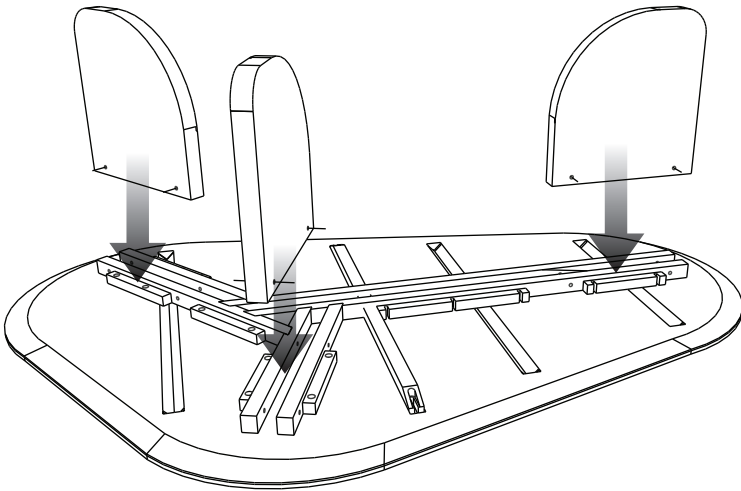


Bodhi[®]

dbodhi.com

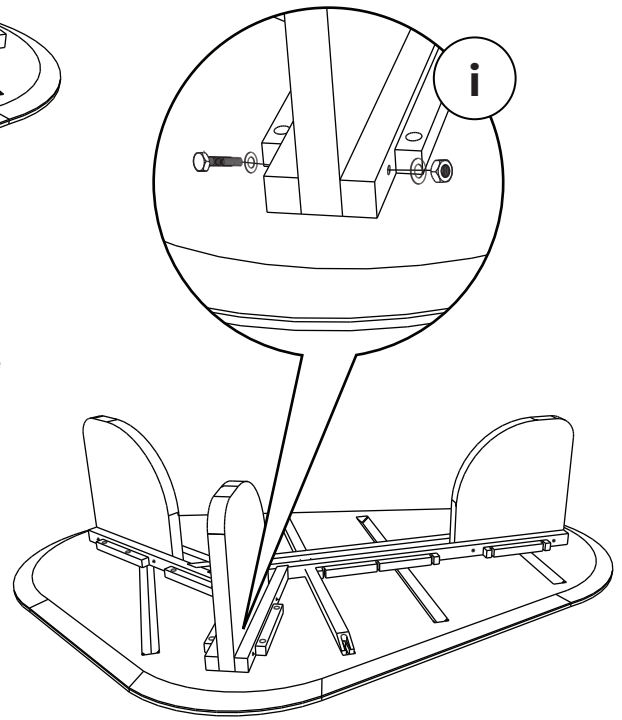
PERSON NEEDED



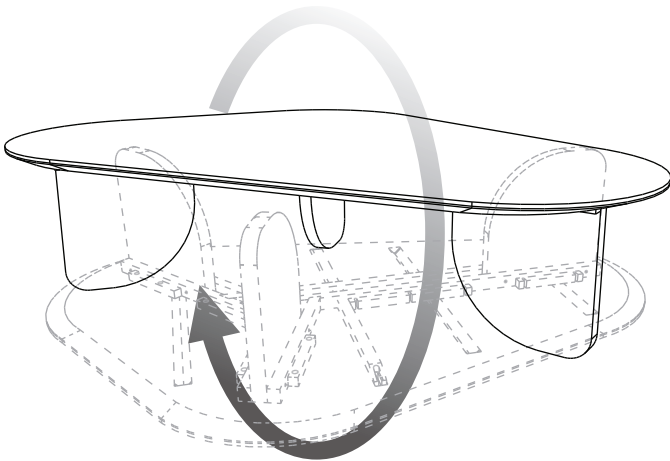


1. Install the leg into the table top as picture above.

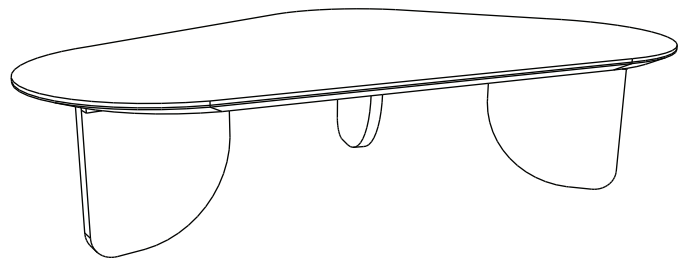
Note : Make sure the code is correctly paired.



2. Tighten the legs with bolt ring and nut as in detail (i)



3. Rotate the table into its right position.



4. Your coffee table is ready to use.