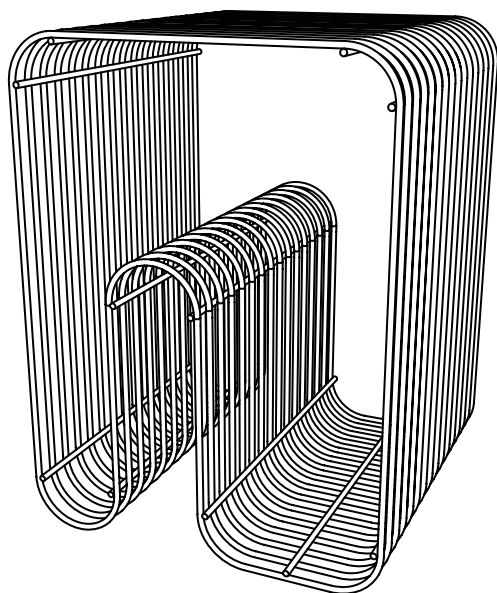
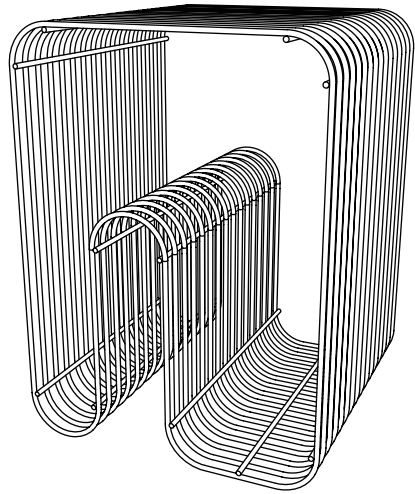


# CURVA

---



AYTM



x 1



x 2

