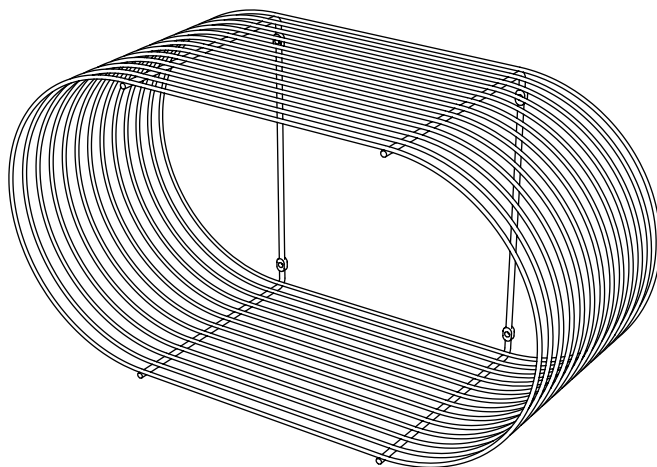
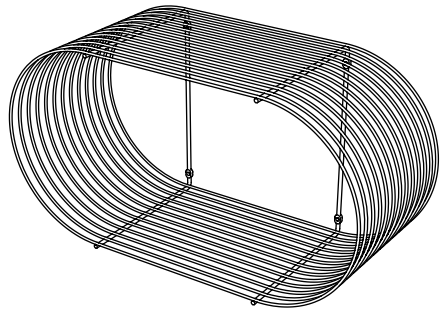


# CURVA

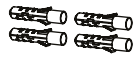
---



AYTM



x 1



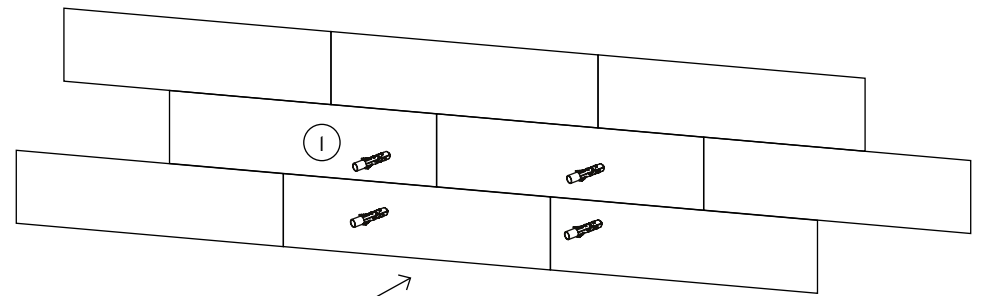
M6x30 mm

x 4



M4x35 mm

x 4



2

