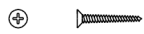


Assembly Instruction  
/ Jotter Bed  
- Queen Size

**JotterGoods**

Hardware / Tools :

\* Additional Phillips Screwdriver is required for installation



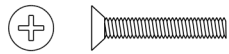
4 x 30mm Self-tapping Screw

/ Qty : 12 pcs



M6 x 20mm Phillips Screw

/ Qty : 4 pcs



M7 x 30mm Euro Screw

/ Qty : 12 pcs



M8 x 20mm Hex Head Screw with  $\varnothing 13/\varnothing 8$  x 2mm Washer

/ Qty : 4 sets



M8 x 35mm Hex Screw with  $\varnothing 13/\varnothing 8$  x 2mm Washer

/ Qty : 10 sets



M8 x 80mm Hex Head Screw

-  $\varnothing 13/\varnothing 8$  x 2mm Washer

-  $\varnothing 13/\varnothing 9$  x 2mm Spring Washer

/ Qty : 4 sets



M8 x 100mm Hex Head Screw

-  $\varnothing 13/\varnothing 8$  x 2mm Washer

- M8 Steel Mount Nut

/ Qty : 2 sets



M8 x 120mm Bolt / Nut

- M8 Steel Mount

-  $\varnothing 8$  Nylon Mount /  $\varnothing 13/\varnothing 8$  x

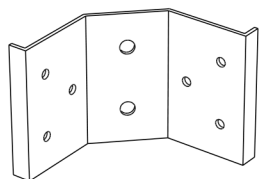
2mm Washer

/ Qty : 4 sets



$\varnothing 10$  x 40mm Wood Dowel

/ Qty : 8 pcs

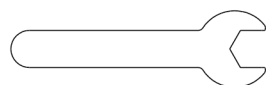


Corner Steel Bracket

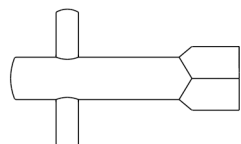
/ Qty : 2 pcs



5mm Allen Key / Hex Key



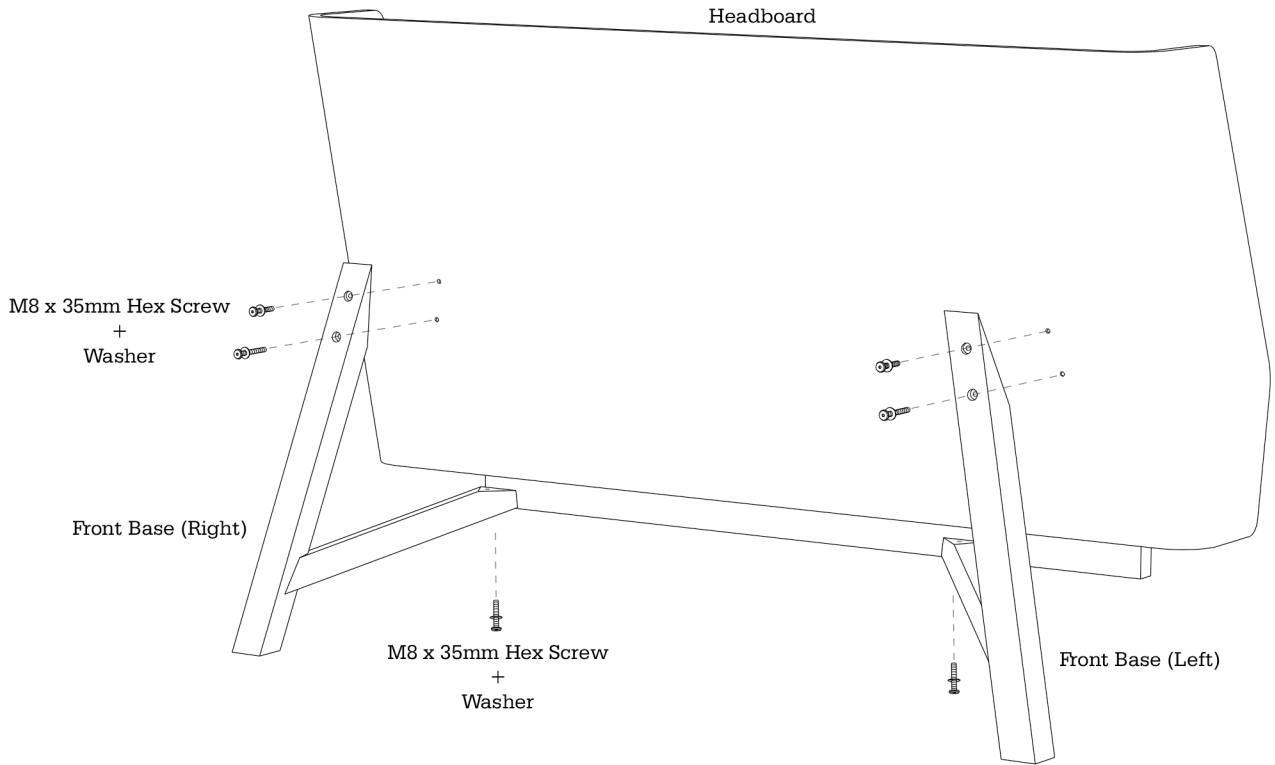
13mm Spanner / Wrench



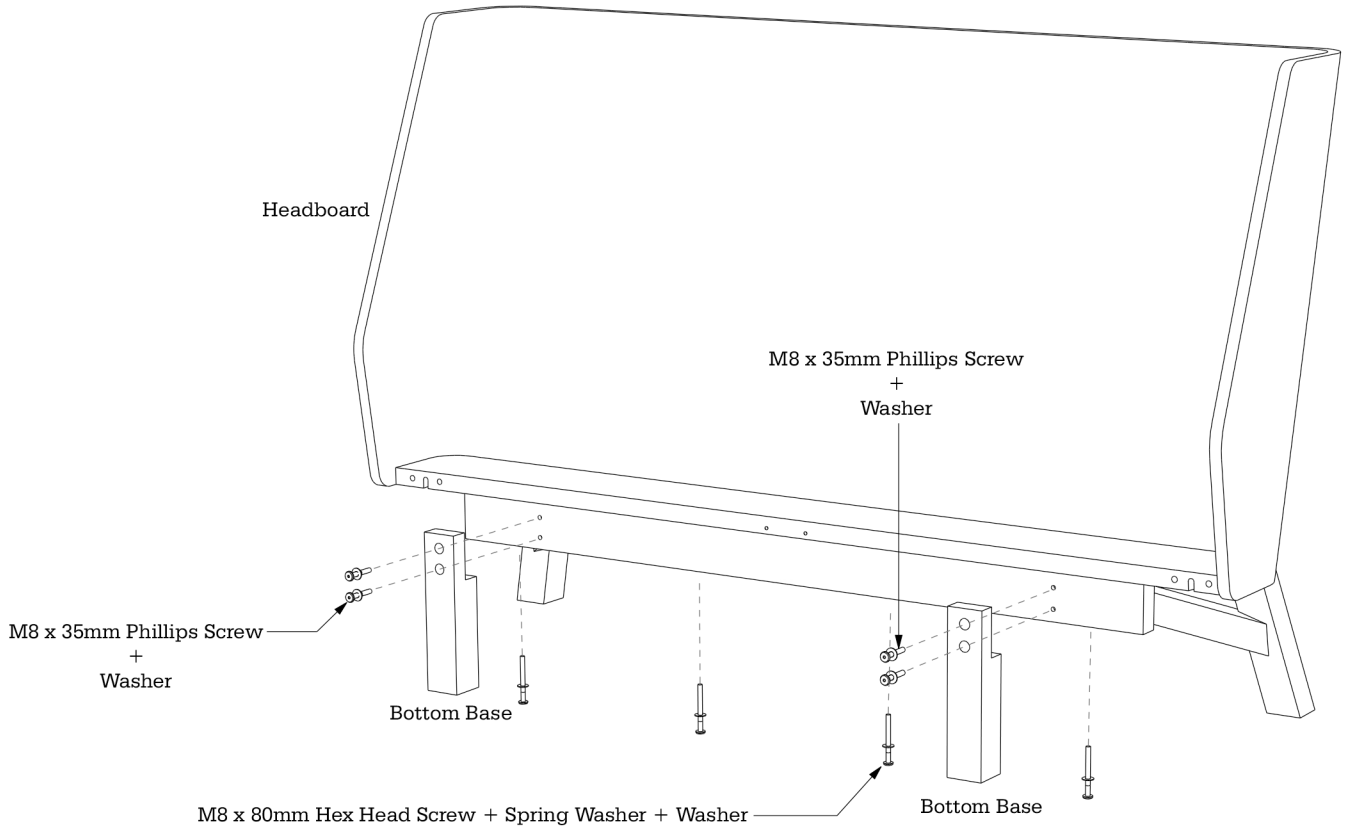
14mm Sleeve Wrench

**Installation for Headboard.**

Position Headboard as shown and secure both Front Base (Left & Right) with 4 sets of M8 x 40mm Hex Screw + Washer. Secure another 2 sets of M8 x 35mm Hex Screws + Washer from below.

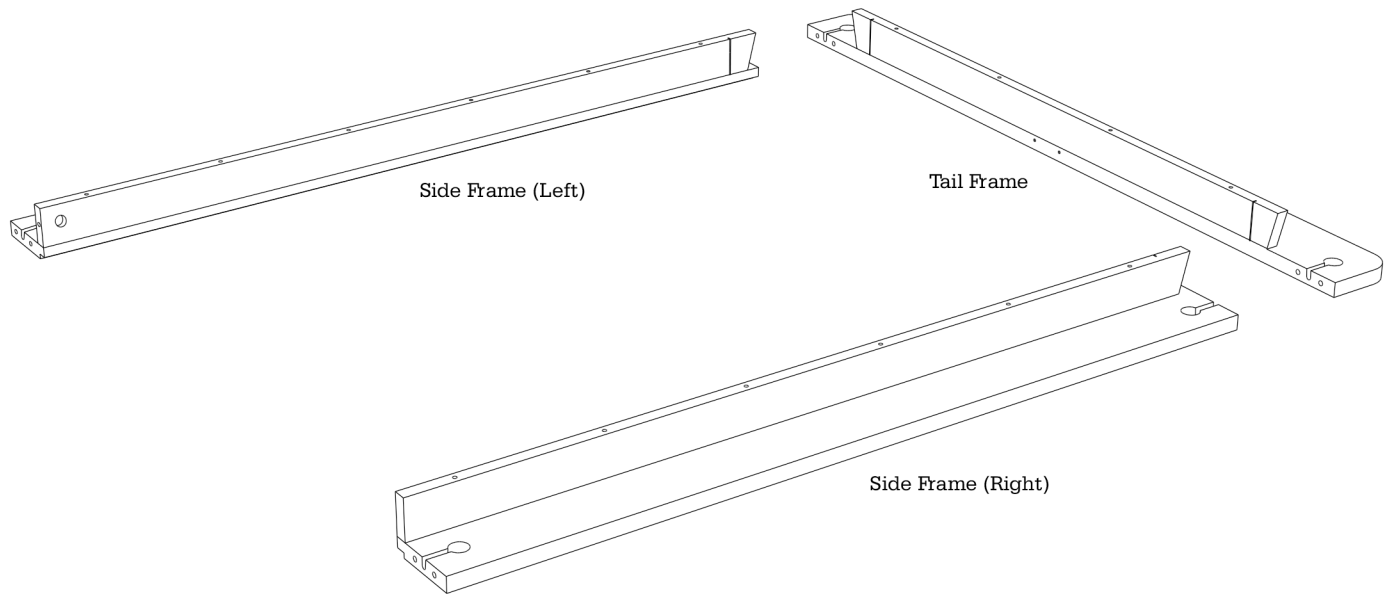


Position 2 pcs of Bottom Base as shown and secure with 4 sets of M8 x 35mm Phillips Screw + Washer. Secure additional 4 sets of M8 x 80mm Hex Head Screw + Spring Washer + Washer from below as shown.

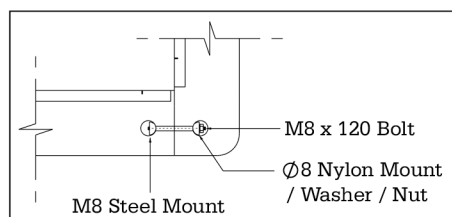
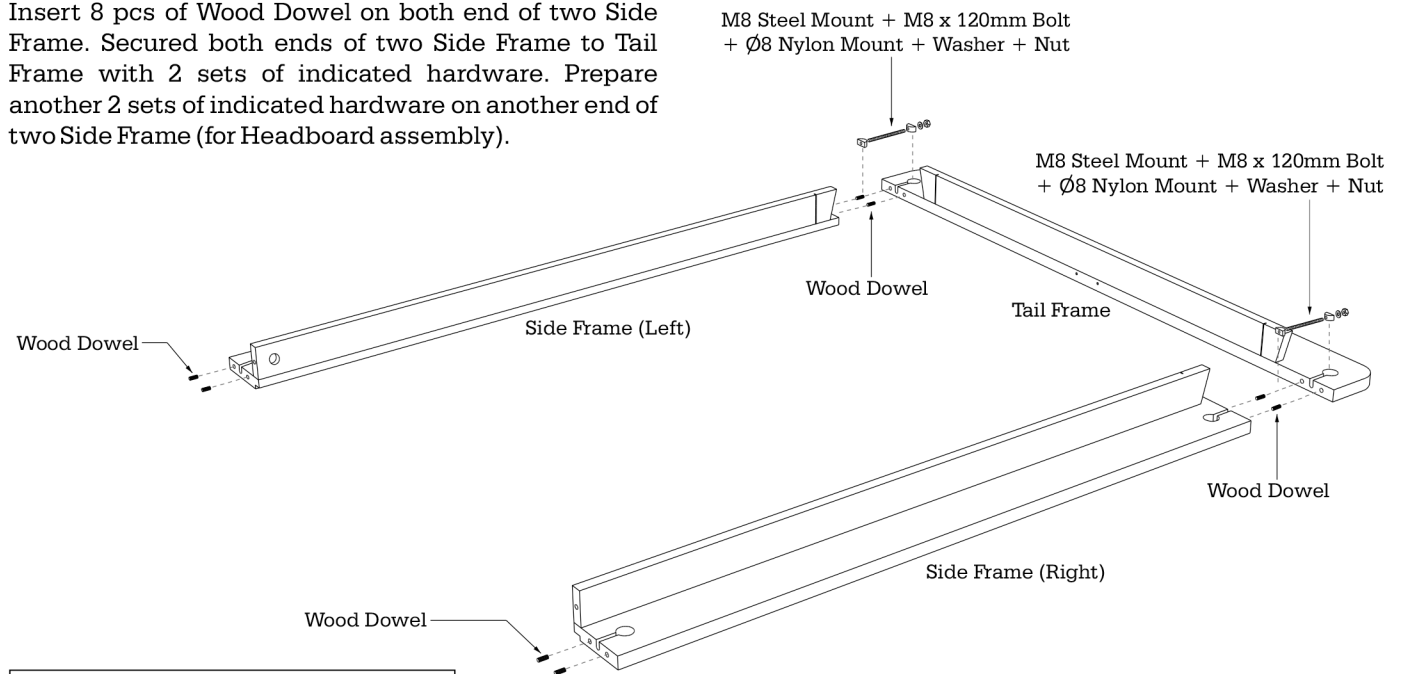


**Installation of Bed Frame.**

Position both Side Frame (Left & Right) and Tail Frame as shown.



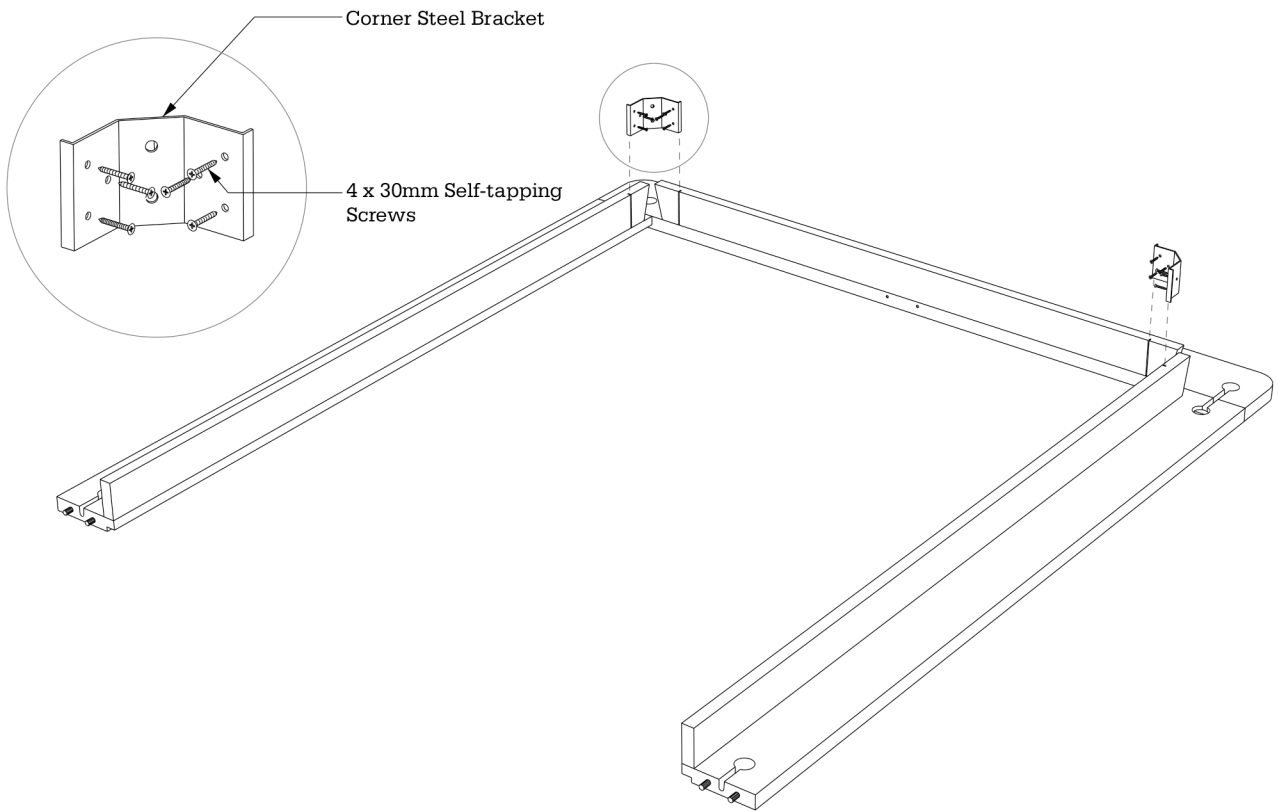
Insert 8 pcs of Wood Dowel on both end of two Side Frame. Secured both ends of two Side Frame to Tail Frame with 2 sets of indicated hardware. Prepare another 2 sets of indicated hardware on another end of two Side Frame (for Headboard assembly).



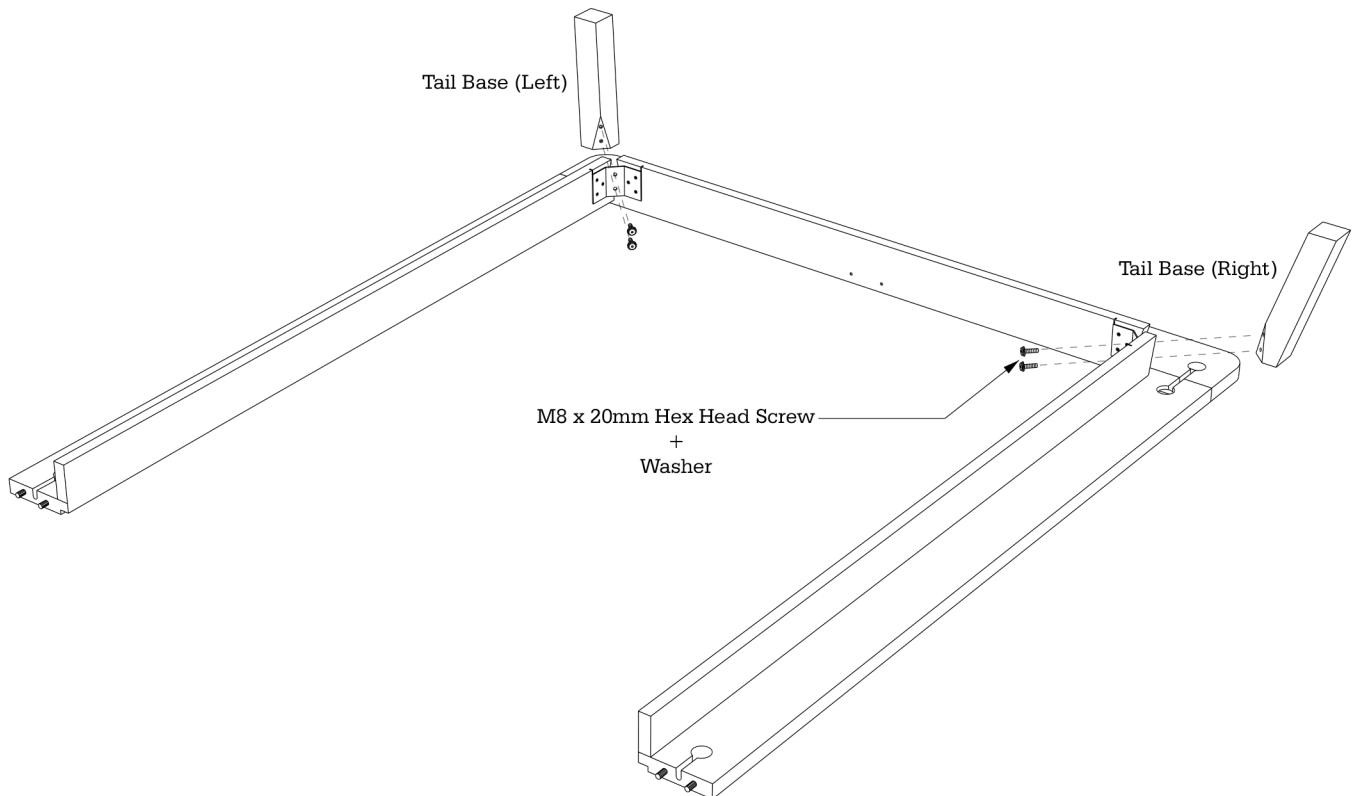
\* Proper layout of securing hardware.  
\* Shown securing of Side Frame (Right) to Tail Frame.

**Plan View**

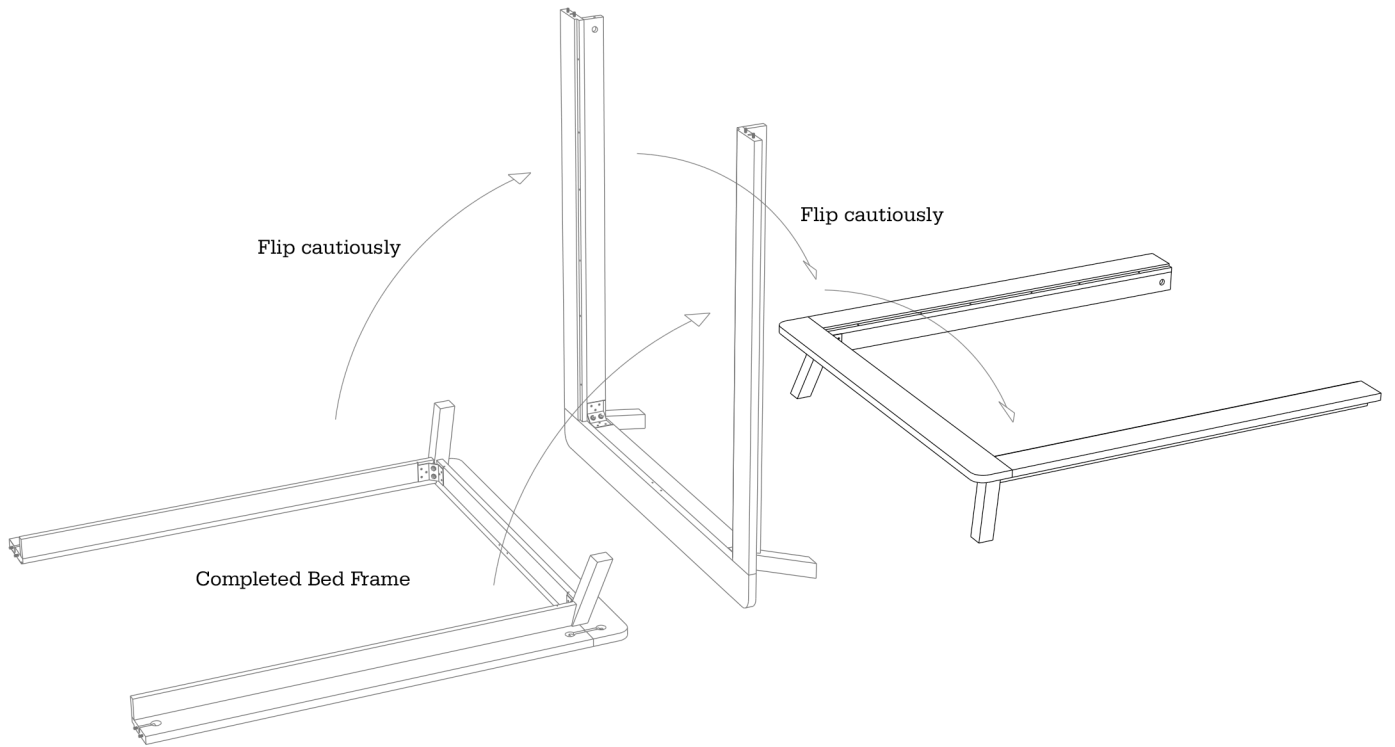
Position Corner Steel Bracket on both end as shown.  
Secure with 4 x 30mm Self-tapping Screws. 6 pcs on each sides.



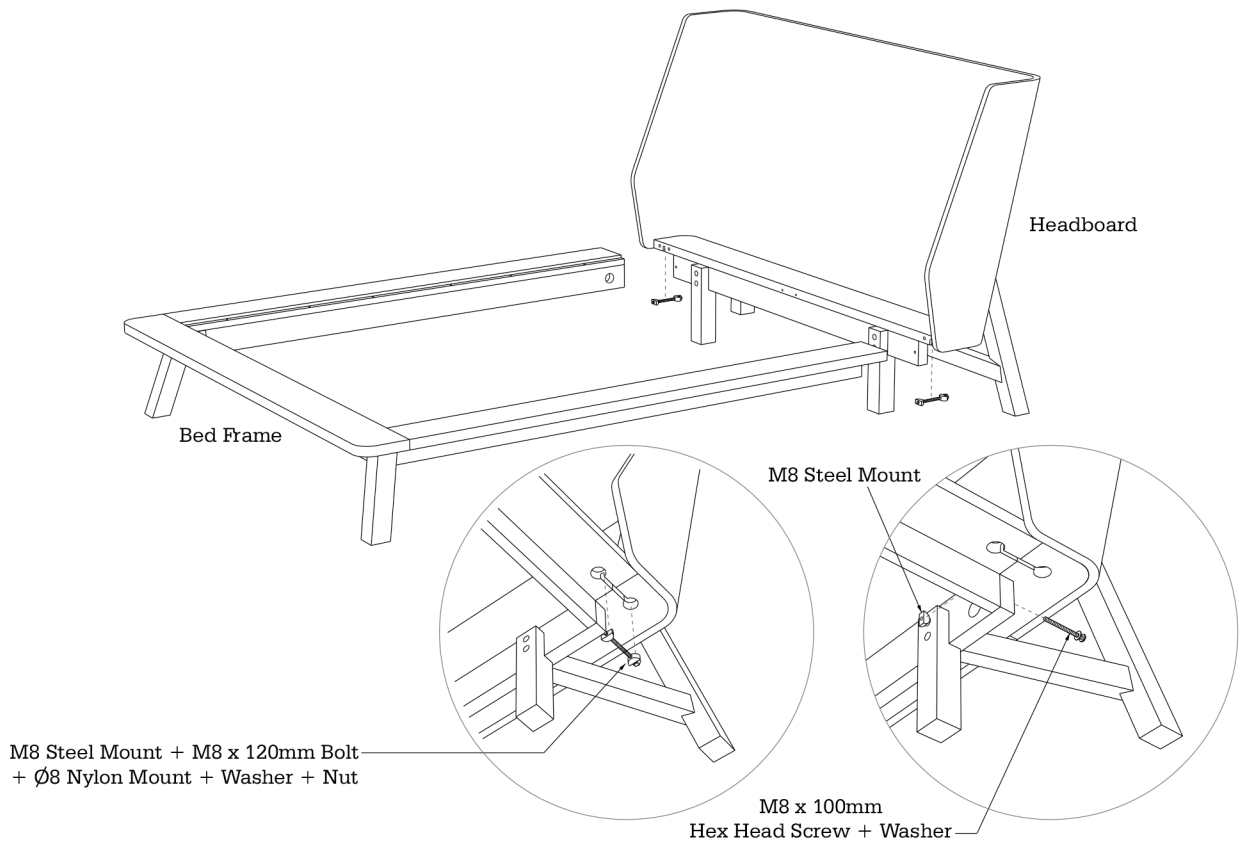
Position both Tail Base (Left & Right) as shown and secured with 4 sets of M8 x 20mm Hex Head Screw with  $\text{Ø}13/\text{Ø}8 \times 2\text{mm}$  Washer.



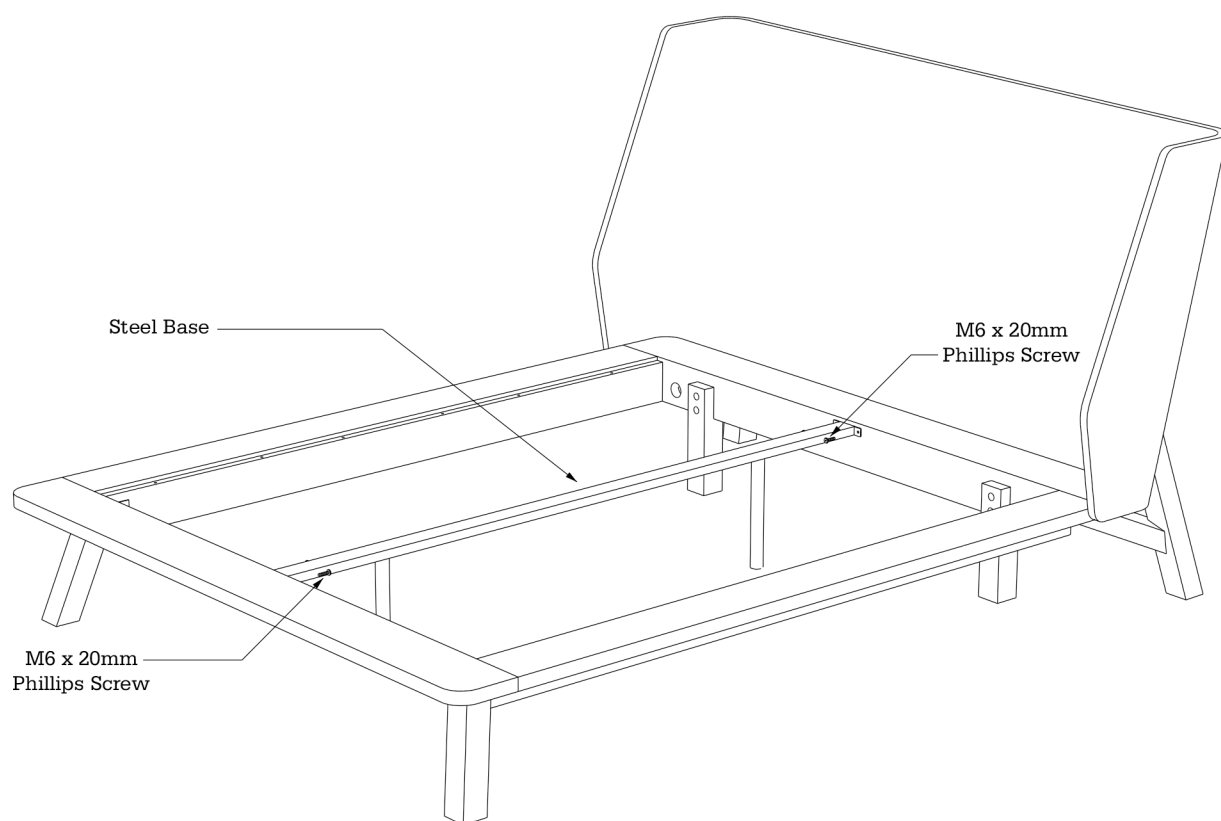
Position completed bed frame to level with flooring. Ensure that the entire frame is maintained upright while flipping cautiously.



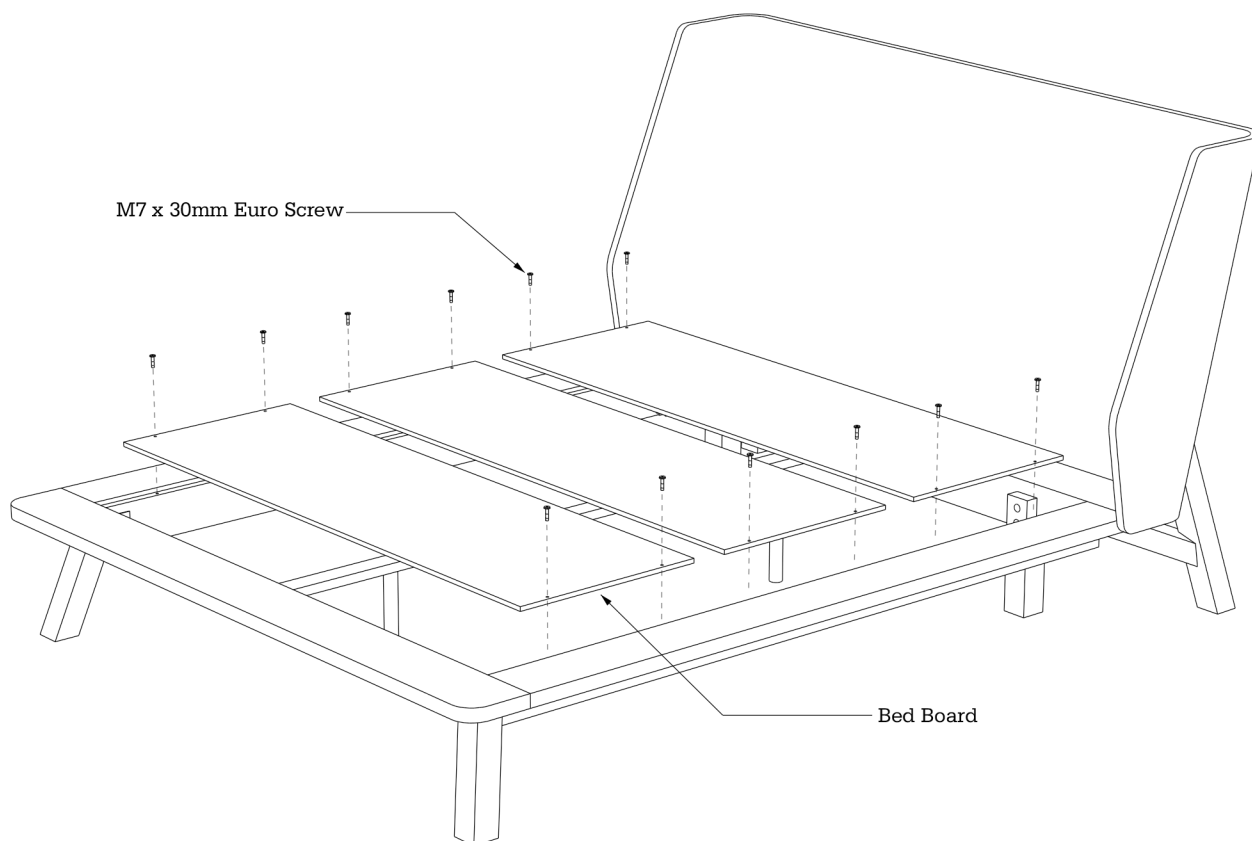
Position completed Bed Frame to Headboard as shown. Secure with supplied hardware as indicated. Refer to installation of Bed Frame with identical hardware usage.



Position Steel Base as shown and secured with M6 x 20mm Phillips Screw. 2 pcs on each end.



Position Bed Board (3 pcs) as shown and secured with M7 x 30mm Euro Screw. Total : 12 pcs



Installation completed.

