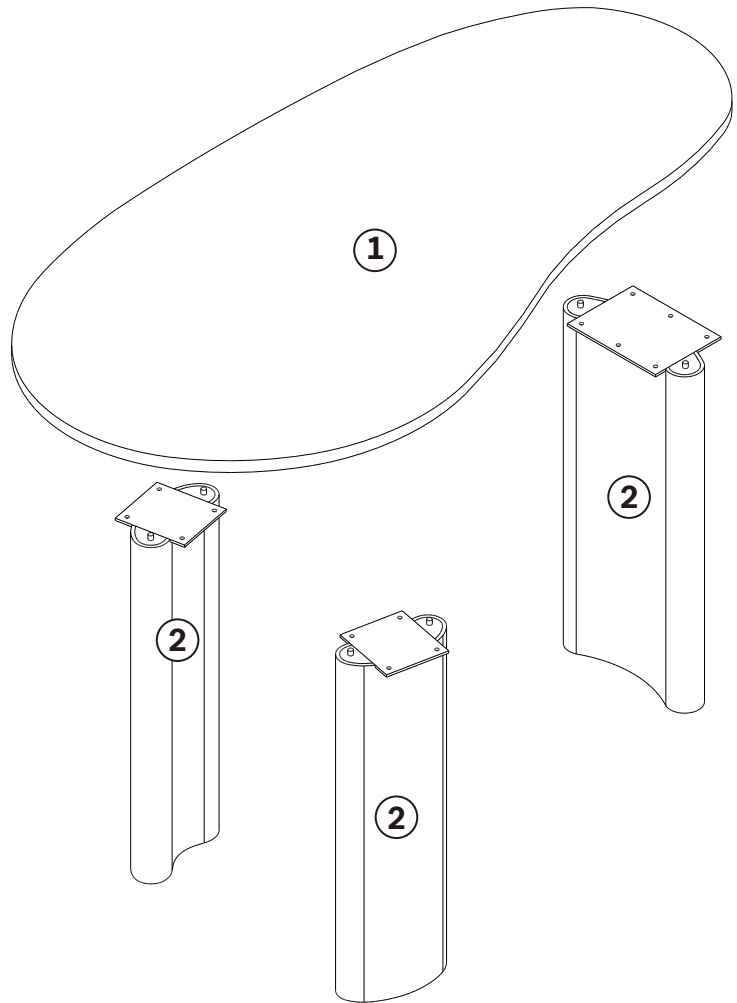
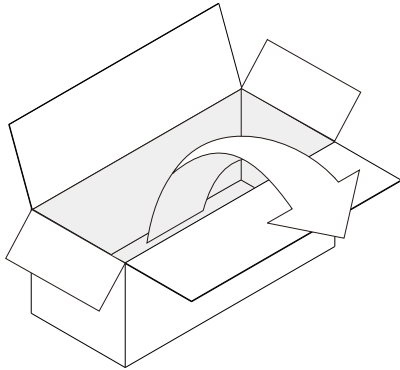


## 35011 POLISHED IMPERFECT DESK - MAHOGANY ASSEMBLY INSTRUCTIONS FOR DESK INSTALLATION

### HARDWARE ENCLOSED



### TOOL



### IN YOUR PACKAGE :

ASSEMBLY INSTRUCTION  
HARDWARES (AS LISTED ABOVE)

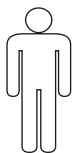
### PARTS TO BE INSTALLED

1. TABLE TOP 1 pc
2. LEGS 3 pcs

### SYMBOLS



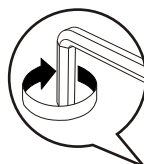
DIRECTION



NUMBER OF  
PERSONS NEEDED

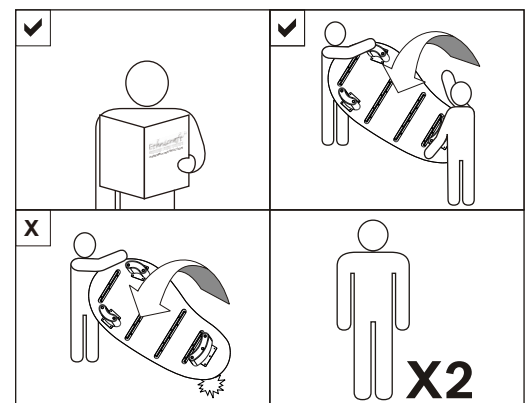


USE HAND



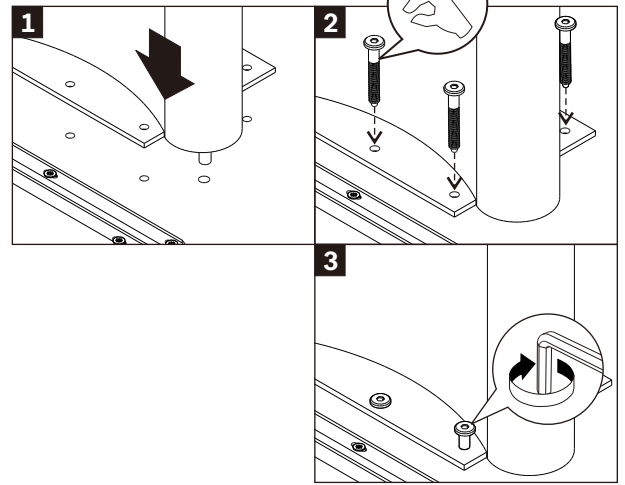
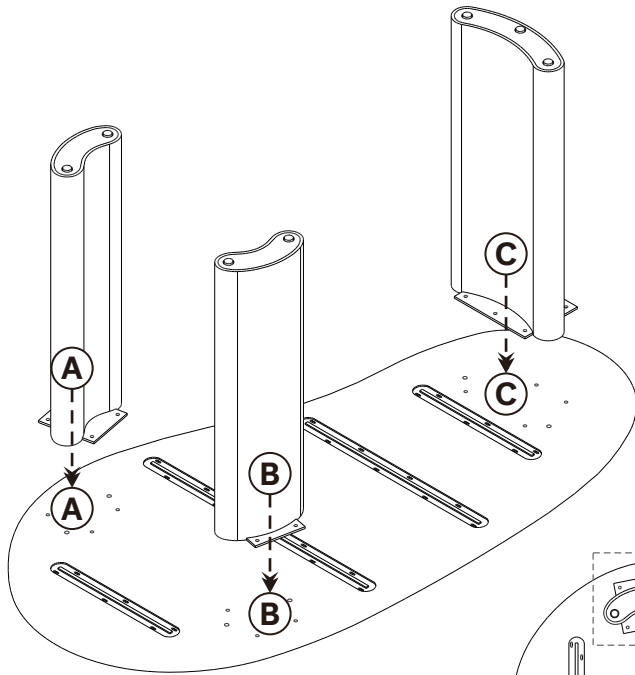
USE L KEY  
TO TIGHTEN

### NOTICE

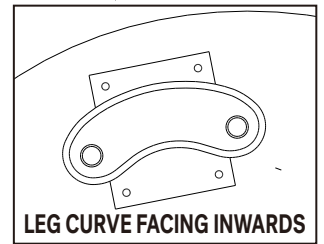
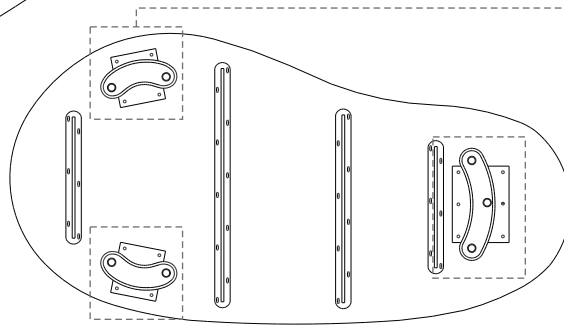


## 35011 POLISHED IMPERFECT DESK - MAHOGANY ASSEMBLY INSTRUCTIONS FOR DESK INSTALLATION

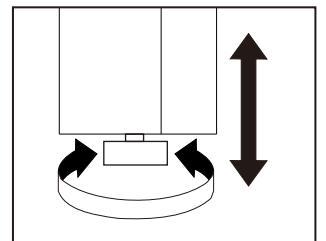
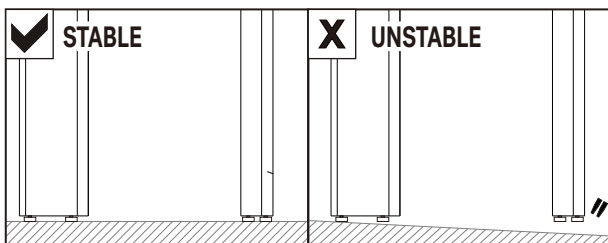
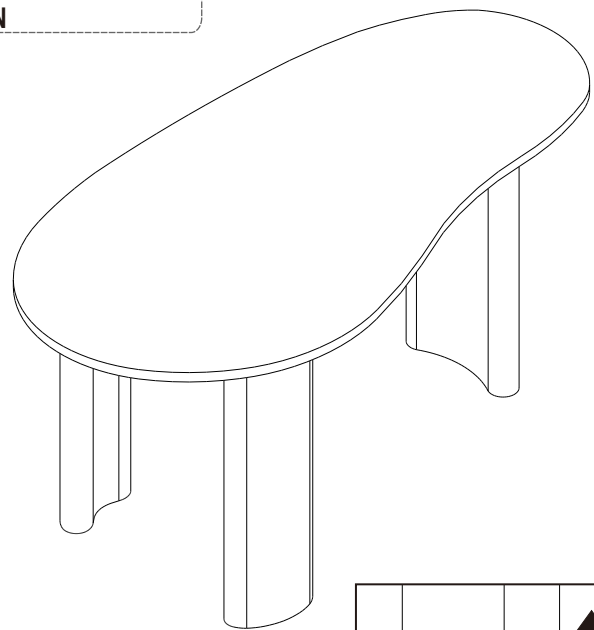
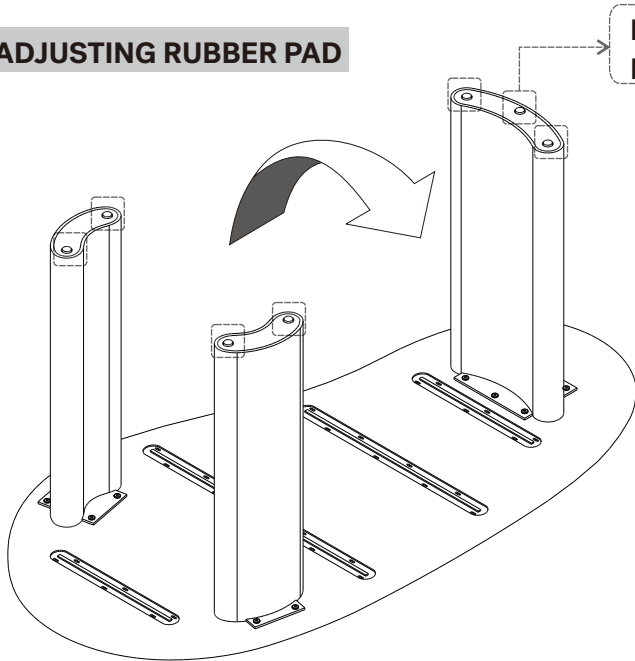
### A INSTALLING LEGS TO TABLE TOP



- ! - USE JCBC SCREW M6x20 (14X)
- TIGHTEN FULLY



### B ADJUSTING RUBBER PAD



**NOTE:**  
THIS IS A COMPULSORY ACTION TO MAKE SURE  
ALL OF THE RUBBER PADS TOUCH THE GROUND!