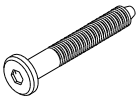

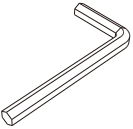
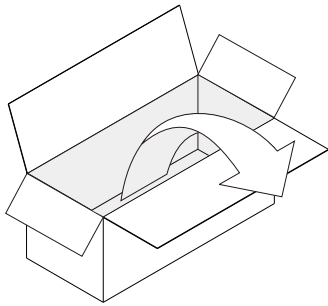


35009-U PI CONSOLE - VARNISHED MAHOGANY - DARK BROWN ASSEMBLY INSTRUCTIONS FOR CONSOLE INSTALLATION

HARDWARE & TOOL ENCLOSED

 <p>JCBC SCREW M6x40 (8pcs)</p>	 <p>WASHER M6x18 (8pcs)</p>	 <p>ALLEN KEY</p>
--	--	--

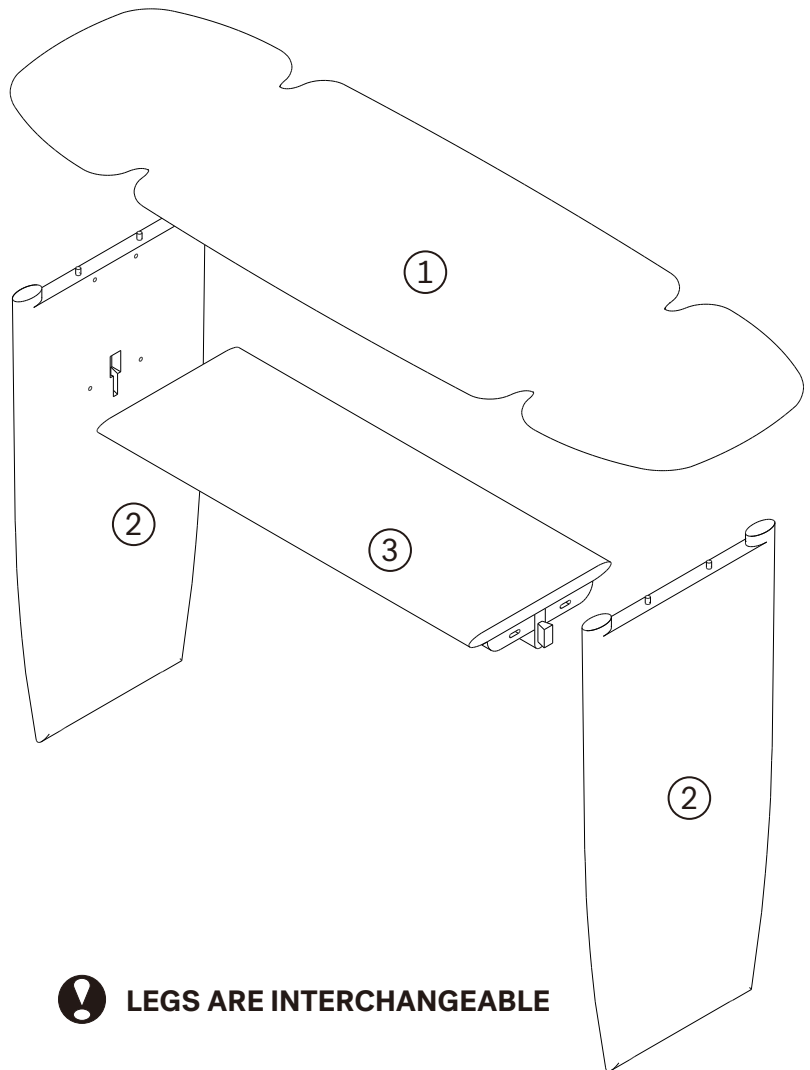


IN YOUR PACKAGE :

ASSEMBLY INSTRUCTIONS
HARDWARE (AS LISTED ABOVE)

PARTS TO BE INSTALLED

1. TABLE TOP (1 pc)
2. LEGS (2 pcs)
3. SHELF (1 pc)

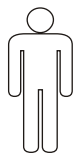


 **LEGS ARE INTERCHANGEABLE**

SYMBOLS



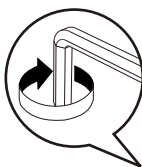
DIRECTION



NUMBER OF
PERSONS NEEDED

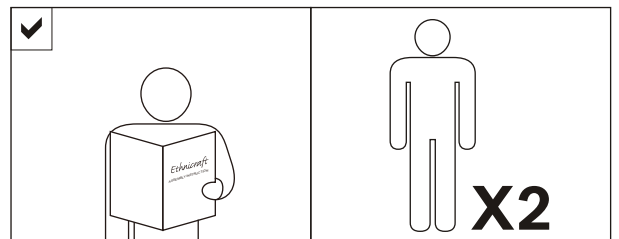


USE HAND



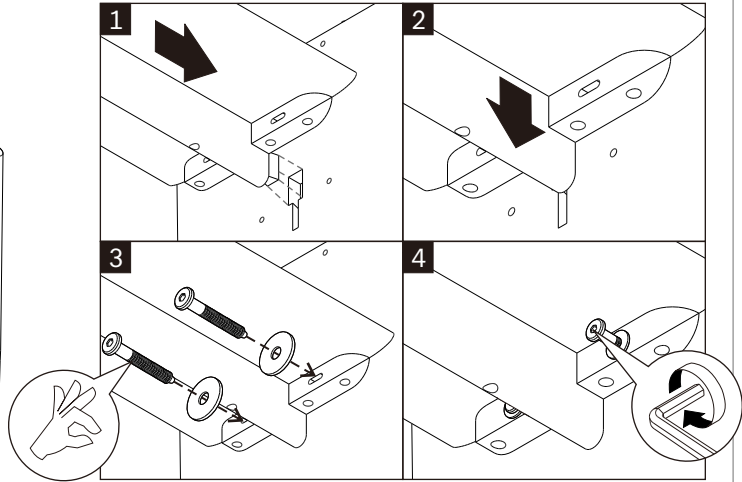
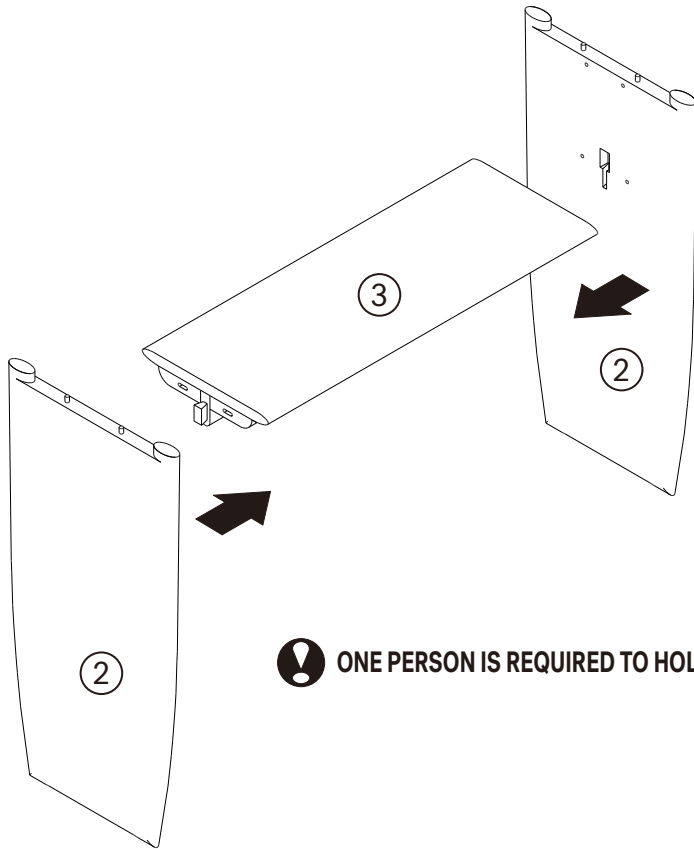
USE ALLEN KEY
TO TIGHTEN

NOTICE



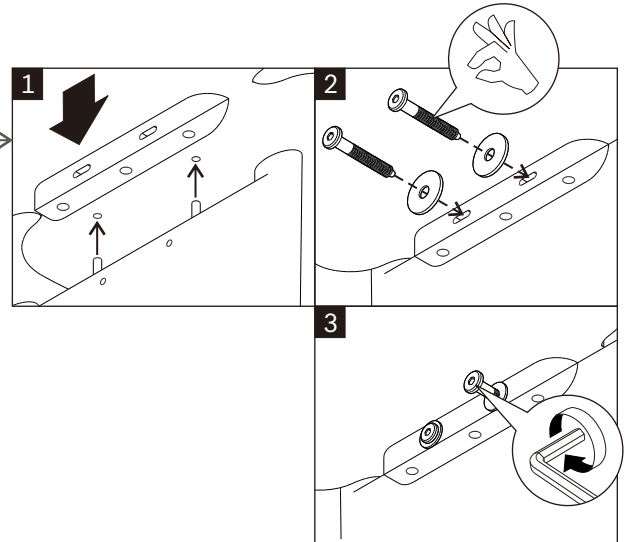
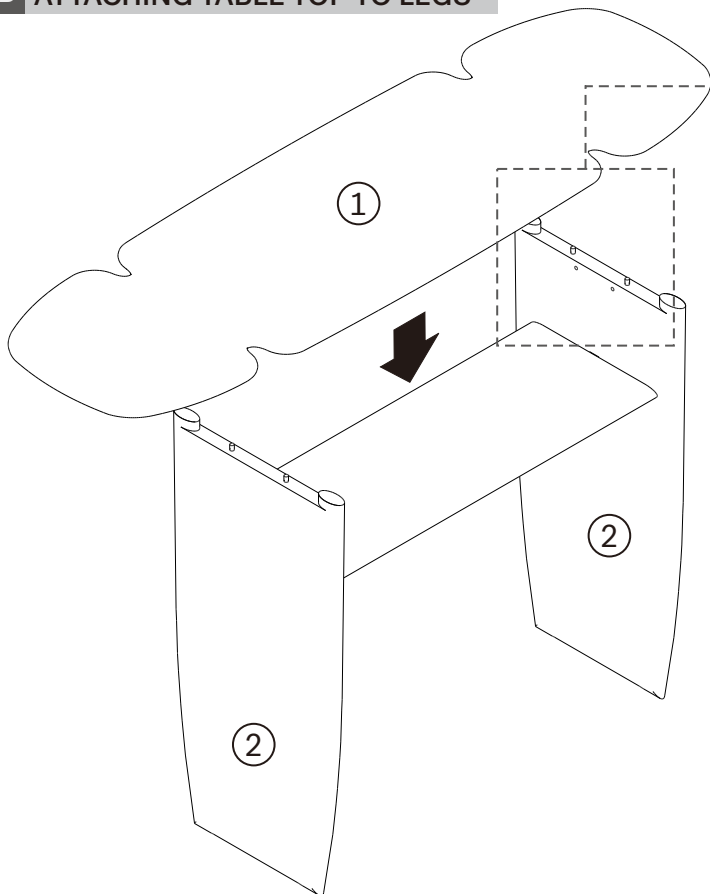
35009-U PI CONSOLE - VARNISHED MAHOGANY - DARK BROWN ASSEMBLY INSTRUCTIONS FOR CONSOLE INSTALLATION

A ATTACHING SHELF TO LEGS



- ! - USE JCBC SCREW M6x40 (4X)
- USE WASHER M6x18 (4X)
- TIGHTEN FULLY

B ATTACHING TABLE TOP TO LEGS



- ! - USE JCBC SCREW M6x40 (4X)
- USE WASHER M6x18 (4X)
- TIGHTEN FULLY