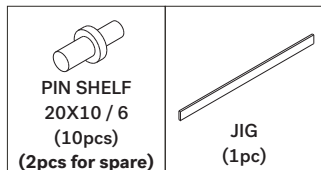


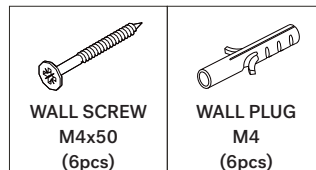
29777 PI WALL SHELF - VARNISHED MAHOGANY - 2 SHELVES ASSEMBLY INSTRUCTIONS FOR WALL SHELF INSTALLATION

HARDWARE ENCLOSED



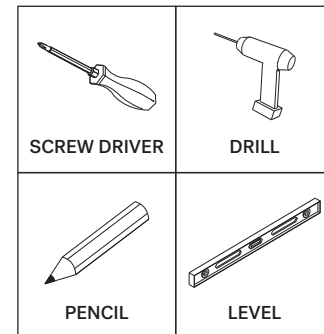
HARDWARE REQUIRED

(Not included in this package)

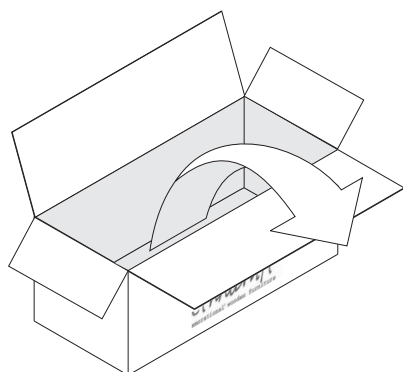


TOOLS REQUIRED

(Not included in this package)



AS WALL MATERIALS VARY, SCREWS FOR FIXING TO WALL ARE NOT INCLUDED. FOR ADVICE ON SUITABLE SCREW SYSTEMS, CONTACT YOUR LOCAL SPECIALISED DEALER.

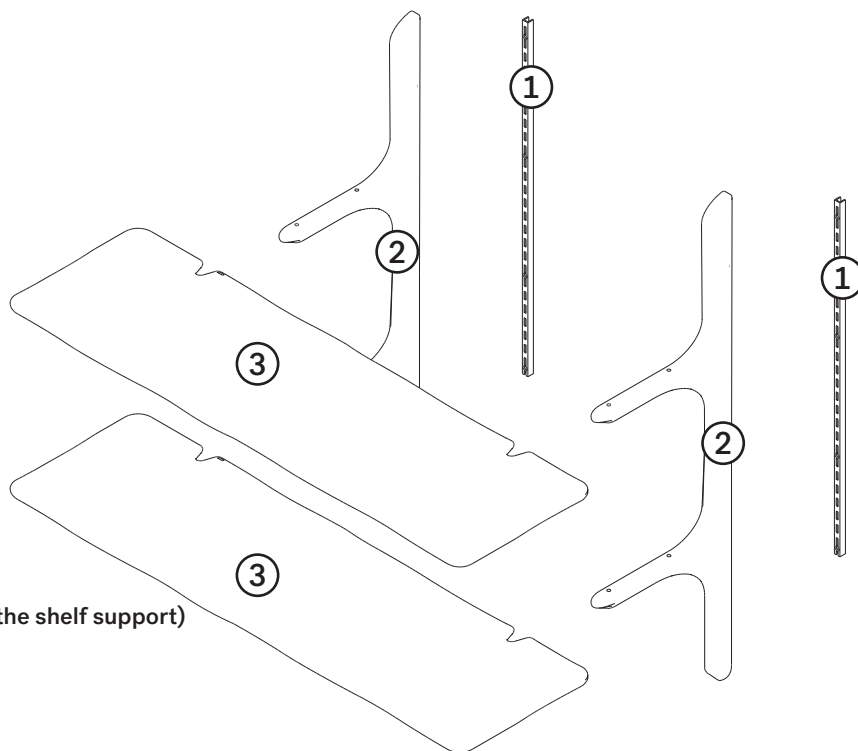


IN YOUR PACKAGE :

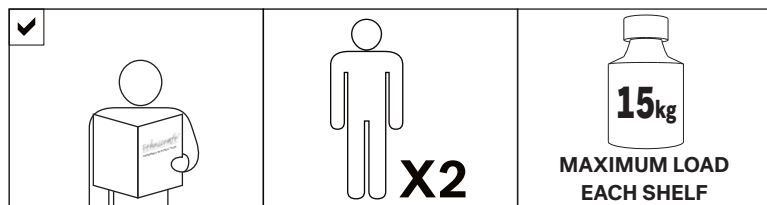
ASSEMBLY INSTRUCTIONS
HARDWARE (AS LISTED ABOVE)

PARTS TO BE INSTALLED

1. METAL HANGING 2 pcs (pre-installed on the shelf support)
2. SHELF SUPPORT 2 pcs
3. SHELVES 2 pcs



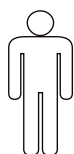
NOTICE



SYMBOLS



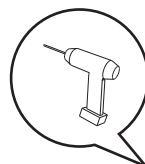
DIRECTION



NUMBER OF
PERSONS NEEDED



USE HAND



USE DRILL



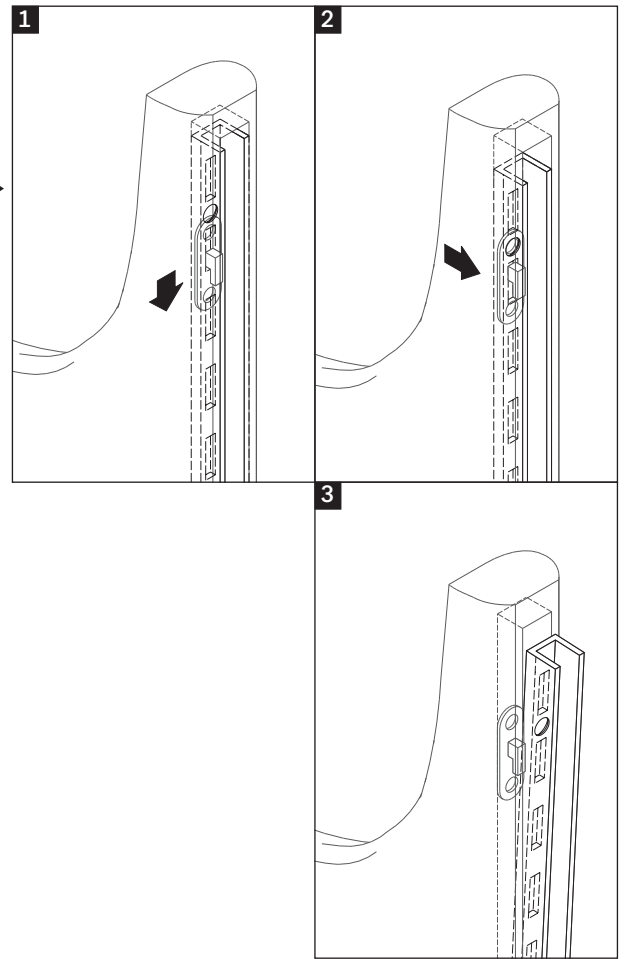
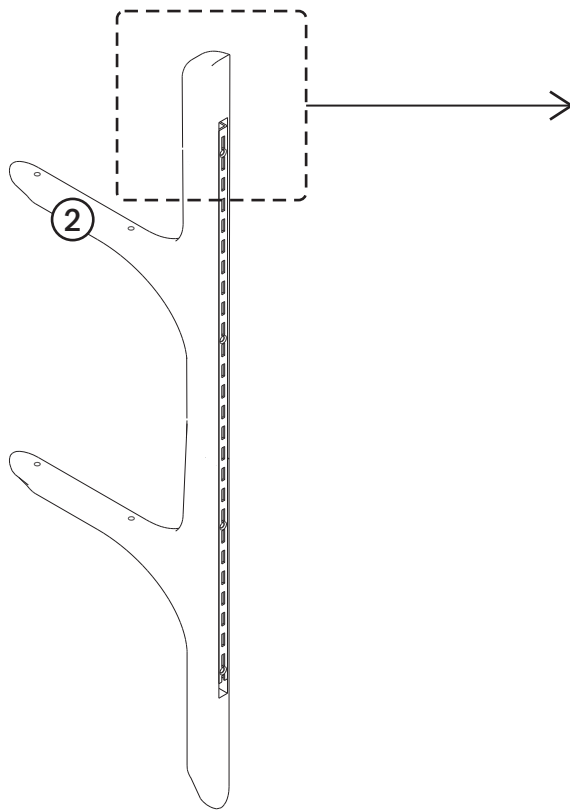
USE SCREWDRIVER
TO TIGHTEN



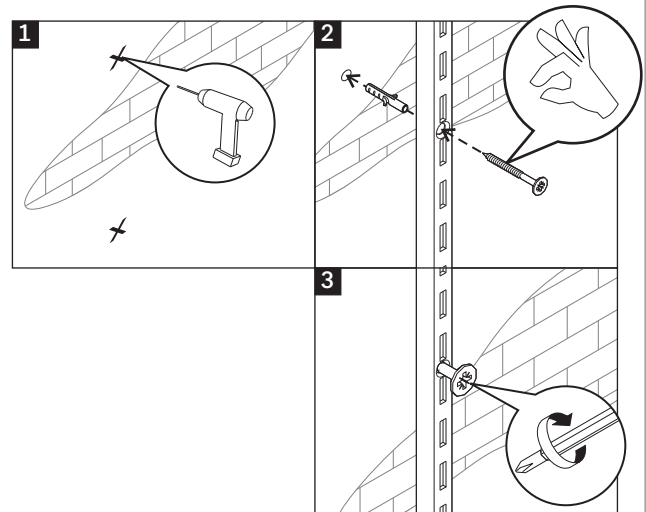
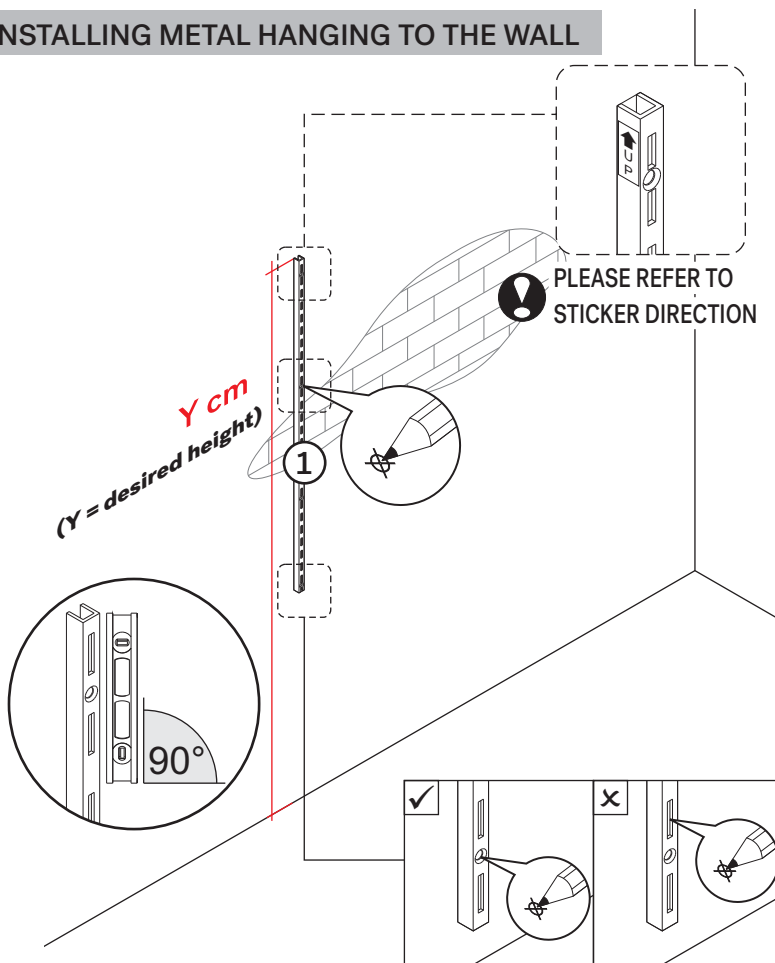
USE PENCIL

29777 PI WALL SHELF - VARNISHED MAHOGANY - 2 SHELVES ASSEMBLY INSTRUCTIONS FOR WALL SHELF INSTALLATION

A RELEASING METAL HANGING



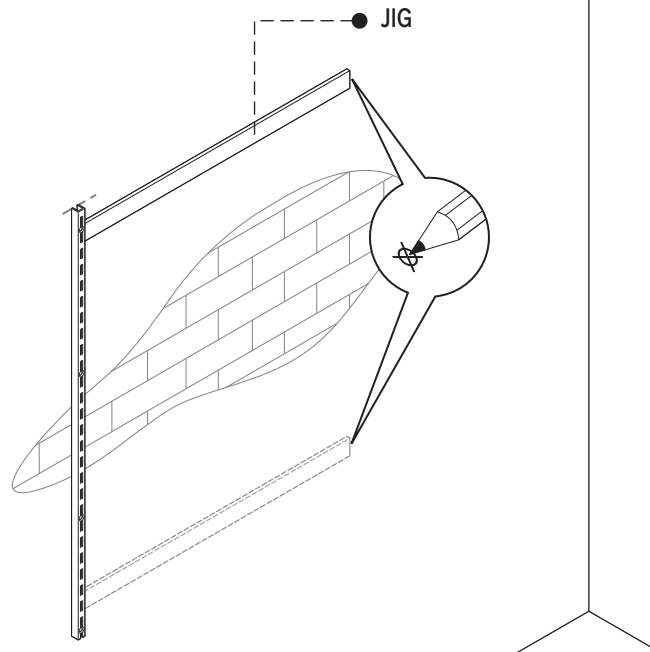
B INSTALLING METAL HANGING TO THE WALL



- ILLUSTRATION WITH BRICK WALL
- MAKE THE MARKS ON THE ROUND HOLES
- WALL SCREWS TO BE INSTALLED IN HOLES 1, 2 & 4
- USE LEVEL FOR ALIGNMENT
- USE WALL PLUG (3X)
- USE SCREW M4X50 (3X)
- TIGHTEN FULLY

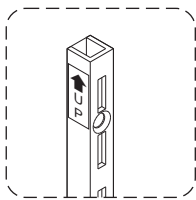
29777 PI WALL SHELF - VARNISHED MAHOGANY - 2 SHELVES ASSEMBLY INSTRUCTIONS FOR WALL SHELF INSTALLATION

C DETERMINE THE DISTANCE BETWEEN METAL HANGING

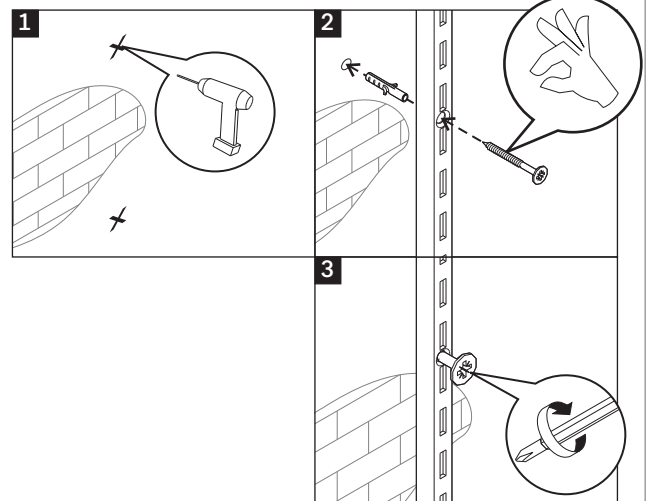
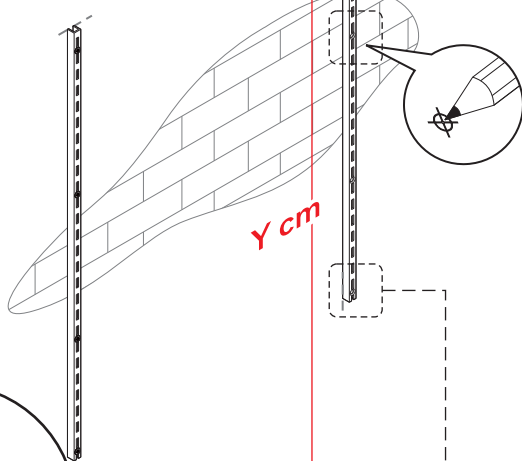


- ! - USE JIG
- USE GUIDELINES TO ENSURE VERTICAL LINES

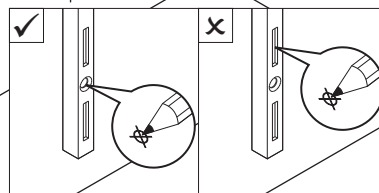
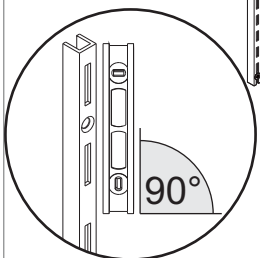
D INSTALLING METAL HANGING



- ! PLEASE REFER TO STICKER DIRECTION

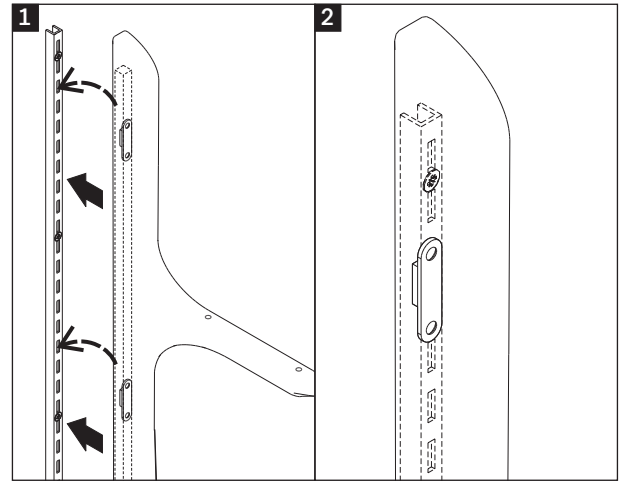
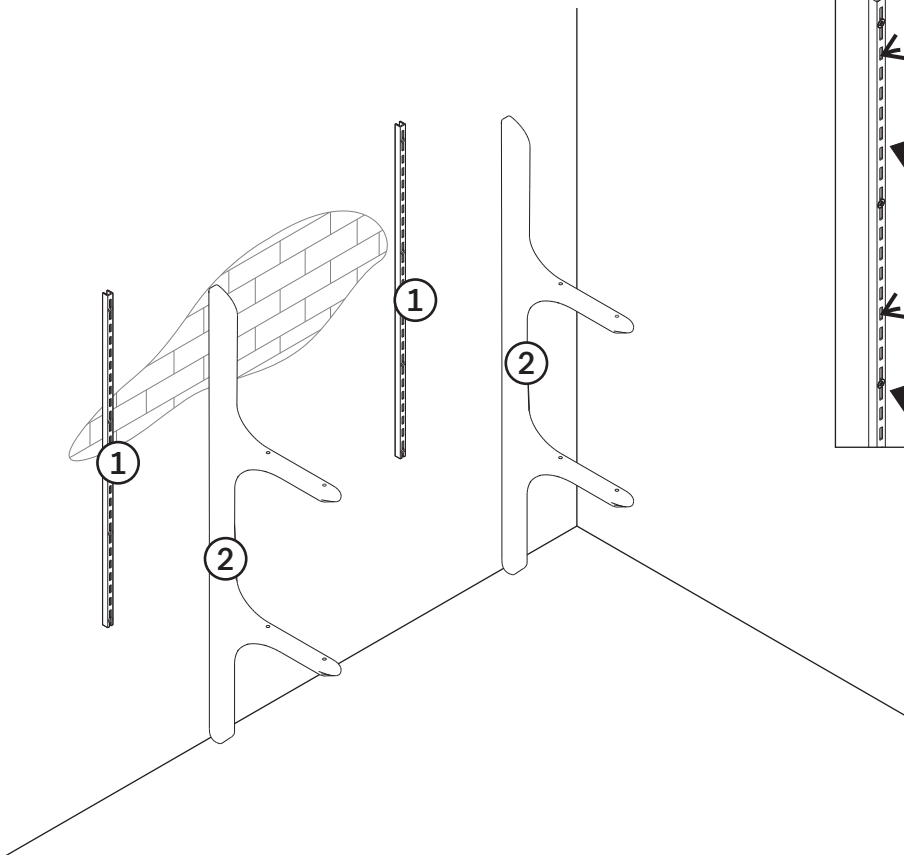


- USE LEVEL FOR ALIGNMENT
- MAKE SURE THE SAME METAL SUPPORT HEIGHT
- ! - USE WALL PLUG (3X)
- USE SCREW M4X50 (3X)
- TIGHTEN FULLY

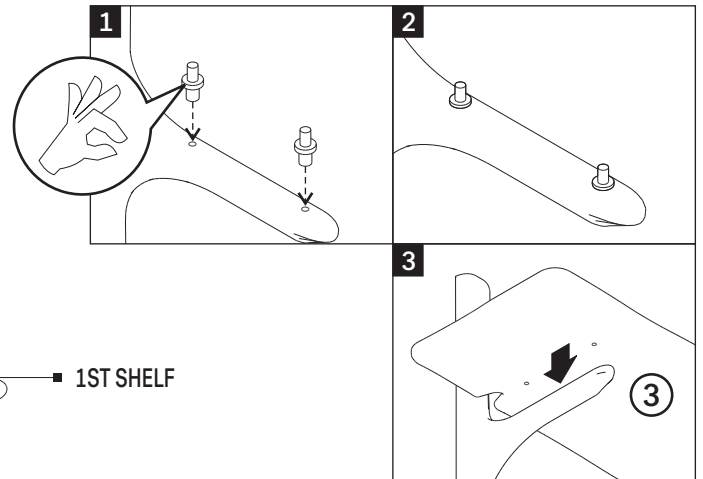
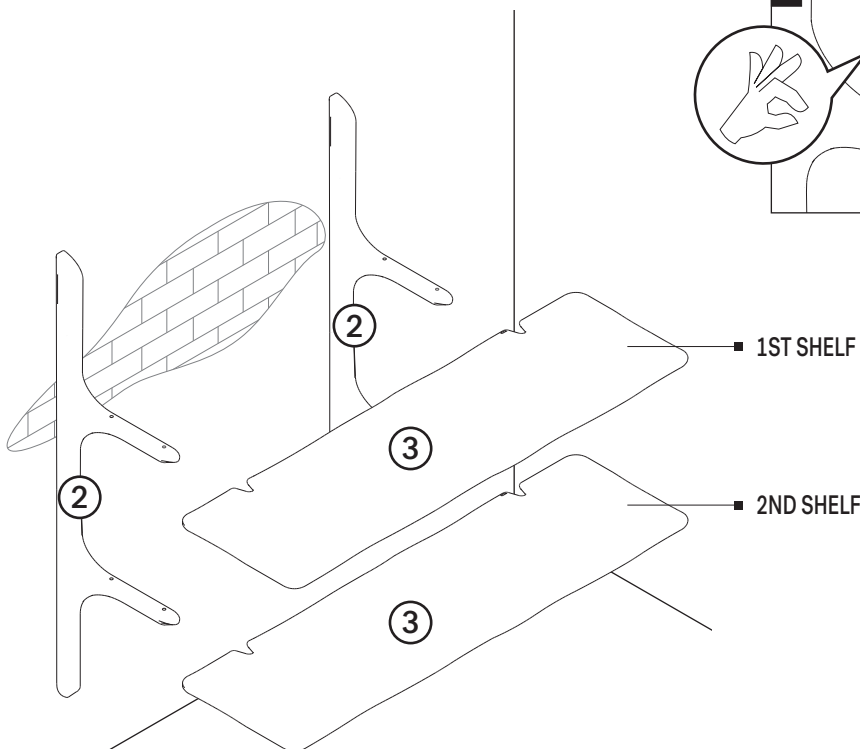


29777 PI WALL SHELF - VARNISHED MAHOGANY - 2 SHELVES ASSEMBLY INSTRUCTIONS FOR WALL SHELF INSTALLATION

E INSTALLING SHELF SUPPORTS



F INSTALLING SHELVES



 - USE PIN SHELF (8X)

 PLEASE REFER THE CODE OF EACH SHELF