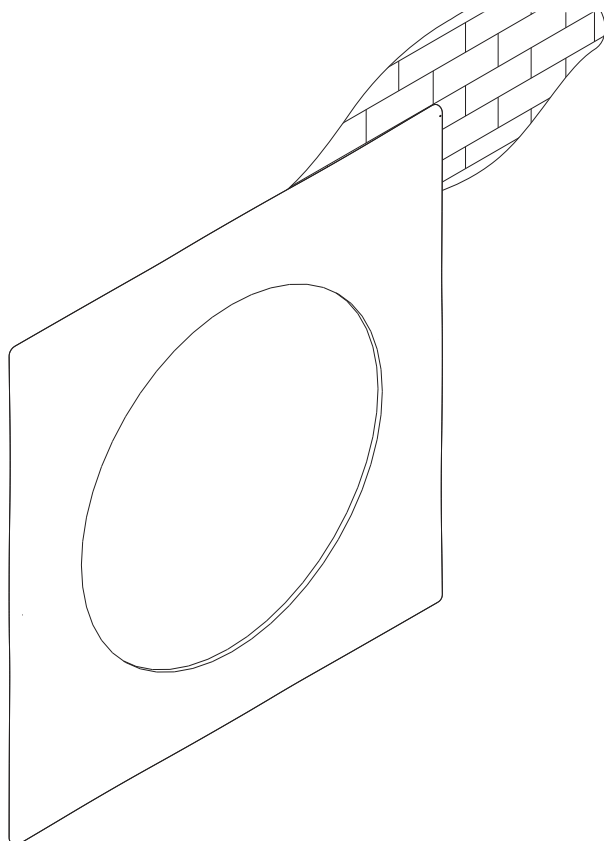
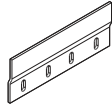
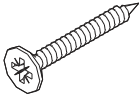
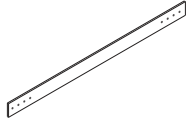


29776 MAHOGANY POLISHED IMPERFECT DARK BROWN WALL MIRROR - VARNISHED ASSEMBLY INSTRUCTION FOR WALL MIRROR INSTALLATION

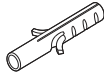
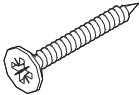
! AS WALL MATERIALS VARY, SCREWS FOR FIXING TO WALL ARE NOT INCLUDED. FOR ADVICE ON SUITABLE SCREW SYSTEMS, CONTACT YOUR LOCAL SPECIALISED DEALER.



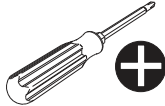

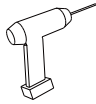
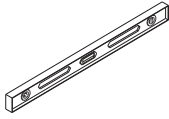
HARDWARES ENCLOSED

 METAL HANGER 4 pcs	 SCREW M6 8 pcs
 JIG 1 pc	

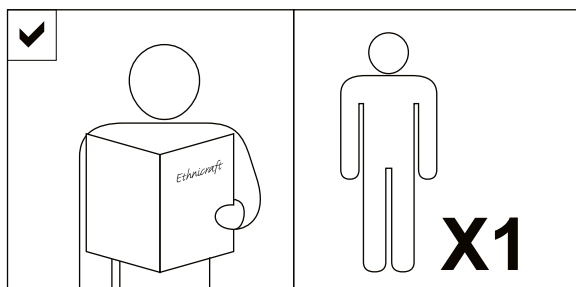
HARDWARES (Not included in package)

 WALL PLUG 8 pcs	 WALL SCREW 8 pcs
--	---

TOOLS

 PHILLIPS SCREWDRIVER (not included in package)	 PENCIL (not included in package)
 DRILL (not included in package)	 LEVEL (not included in package)

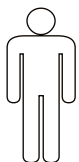
NOTICE



SYMBOLS



DIRECTION



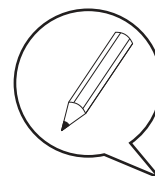
NUMBER OF
PERSON NEEDED



USE DRILL



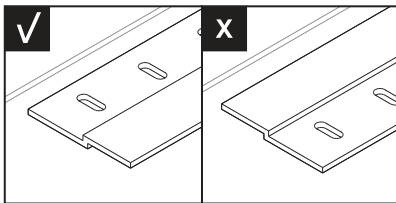
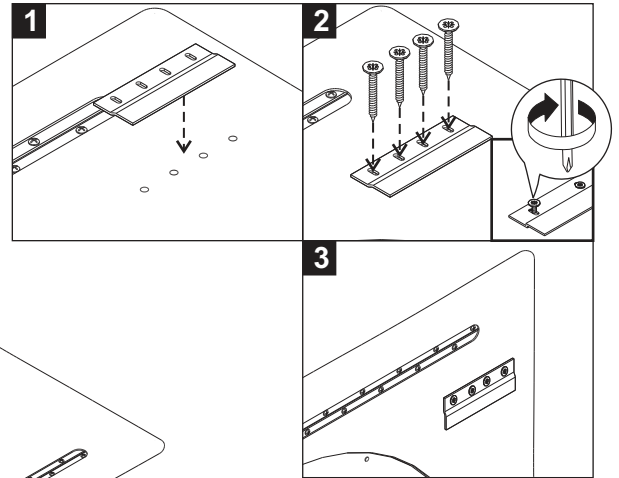
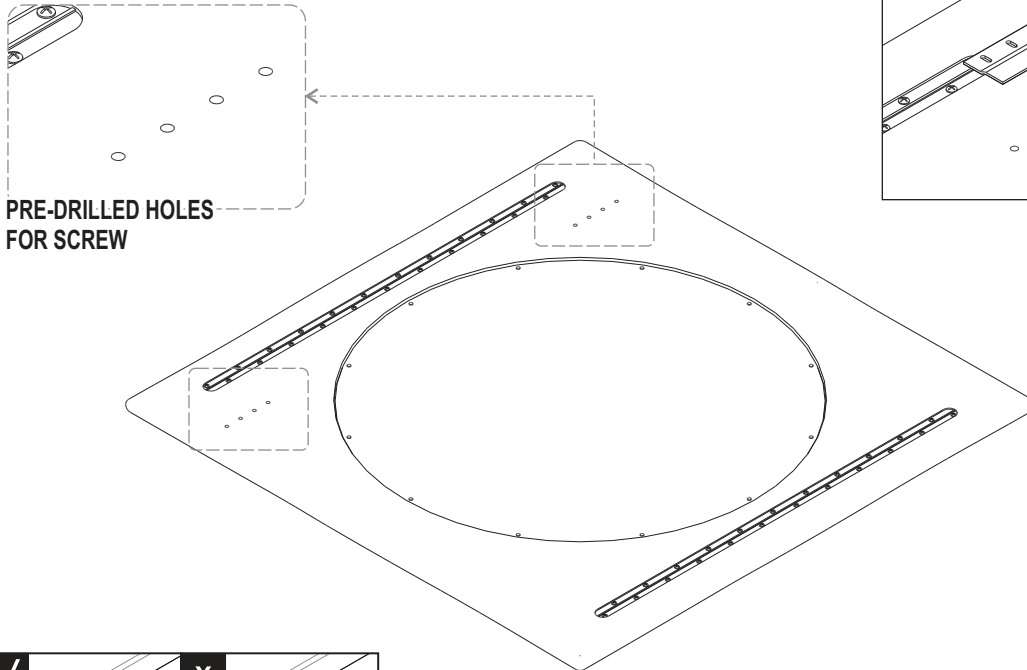
USE PHILLIPS SCREWDRIVER
TO TIGHTEN



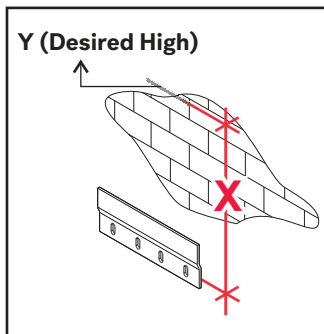
USE PENCIL

29776 MAHOAGANY POLISHED IMPERFECT DARK BROWN WALL MIRROR - VARNISHED ASSEMBLY INSTRUCTION FOR WALL MIRROR INSTALLATION

2. INSTALLING METAL HANGER ON THE MIRROR

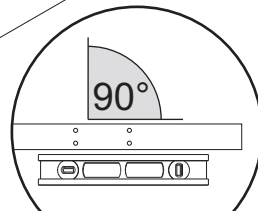
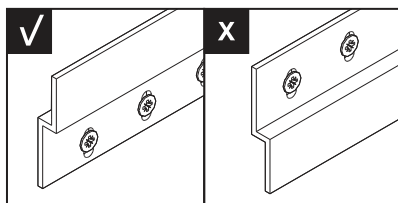


2. INSTALLING METAL HANGER ON THE WALL

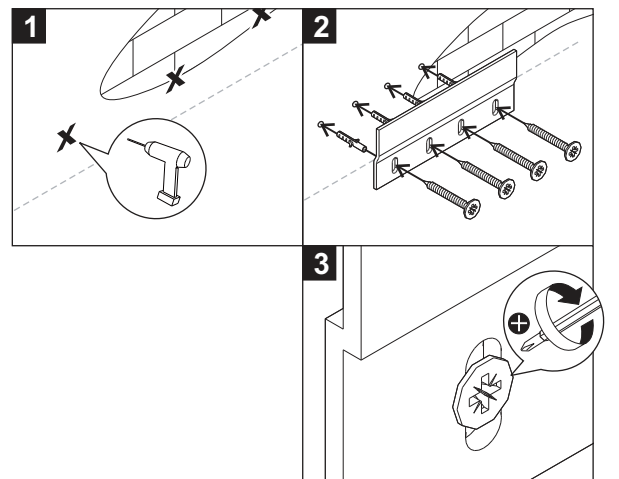


$X = Y - 10 \text{ cm}$

Y = Desired High



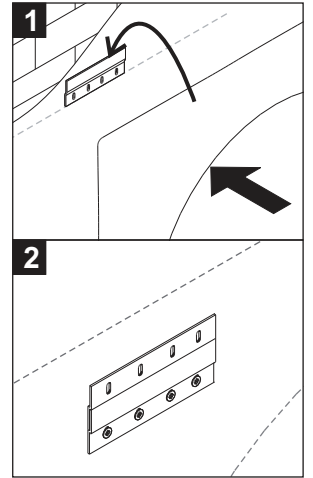
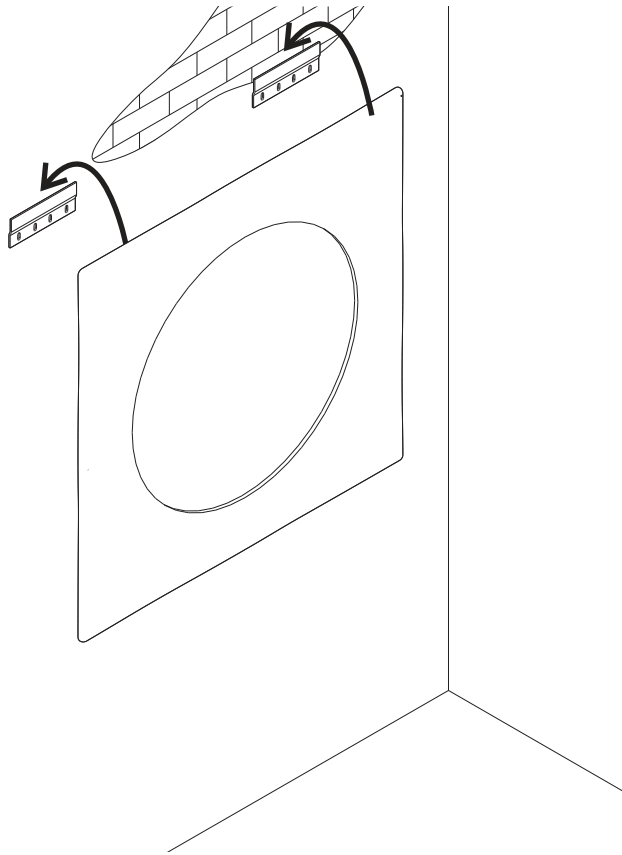
USE WATERPASS FOR ALIGNMENT



- ILLUSTRATION WITH BRICK WALL
- USE METAL HANGER (2X)
- USE WALL PLUG (8X)
- USE WALL SCREW (8X)

29776 MAHOGANY POLISHED IMPERFECT DARK BROWN WALL MIRROR - VARNISHED ASSEMBLY INSTRUCTION FOR WALL MIRROR INSTALLATION

3. HANGING THE MIRROR



4. FINISH

