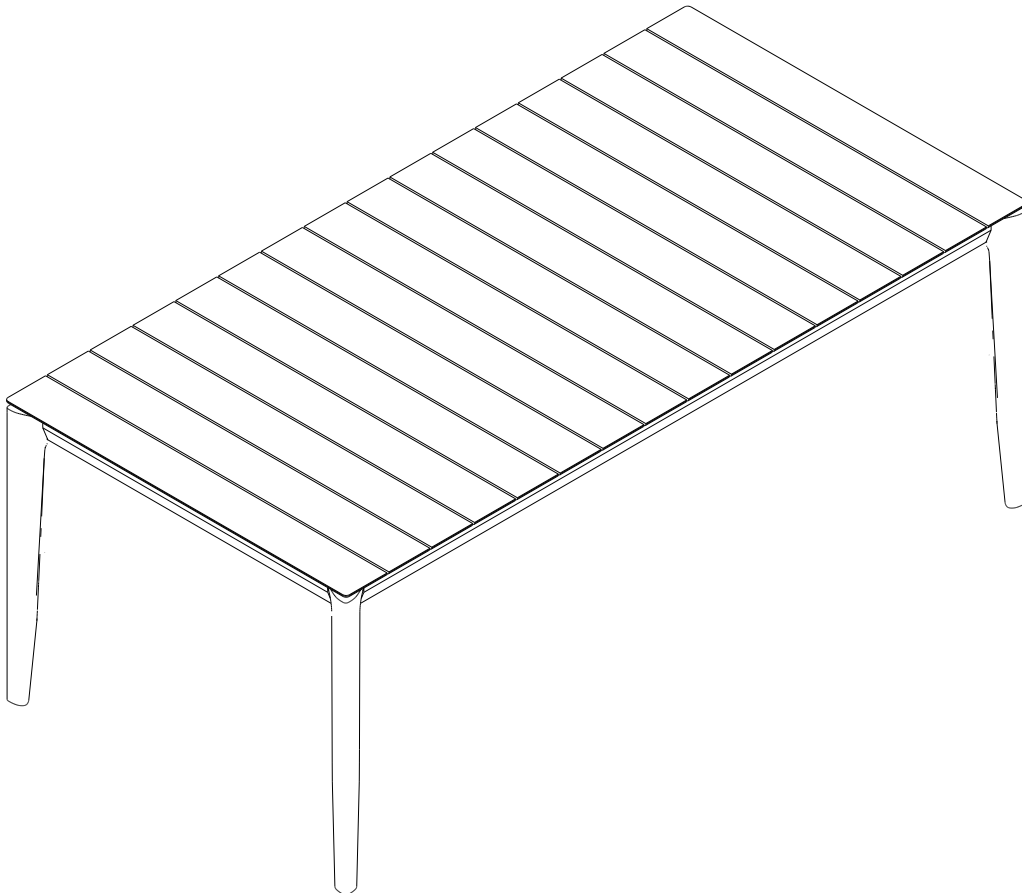


Ethnicraft

ASSEMBLY INSTRUCTIONS FOR DINING TABLE INSTALLATION

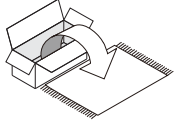
TEAK BOK OUTDOOR DINING TABLE

| CODE | DESCRIPTION |
|-------|------------------------------------------------|
| 10269 | TEAK BOK OUTDOOR DINING TABLE 162/80/76 |
| 10270 | TEAK BOK OUTDOOR DINING TABLE 200/100/76 |
| 10271 | TEAK BOK OUTDOOR DINING TABLE 250/100/76 |
| 10272 | TEAK BOK OUTDOOR DINING TABLE 300/110/76 |
| 10276 | TEAK BOK BLACK OUTDOOR DINING TABLE 162/80/76 |
| 10277 | TEAK BOK BLACK OUTDOOR DINING TABLE 200/100/76 |
| 10278 | TEAK BOK BLACK OUTDOOR DINING TABLE 250/100/76 |
| 10279 | TEAK BOK BLACK OUTDOOR DINING TABLE 300/110/76 |
| 10296 | TEAK BOK OUTDOOR SQUARE DINING TABLE 80/80/76 |



TEAK BOK OUTDOOR DINING TABLE ASSEMBLY INSTRUCTIONS FOR DINING TABLE INSTALLATION

NOTE



- CAREFULLY OPEN THE CARTON,
- REMOVE CONTENTS AND LAY OUT ON CARPET OR THE PACKAGING CARTON BOX OR OTHER PROTECTIVE SURFACE TO AVOID DAMAGE.
- CHECK PACKAGE CONTENTS TO ASSURE ALL THE NECESSARY HARDWARE AND PARTS ARE RECEIVED UNDAMAGED.
- DO NOT USE DAMAGE OR DEFECTIVE PARTS/HARDWARE.
- CONTACT ETHNICRAFT FOR ANY MISSING PART AND /OR HARDWARE.

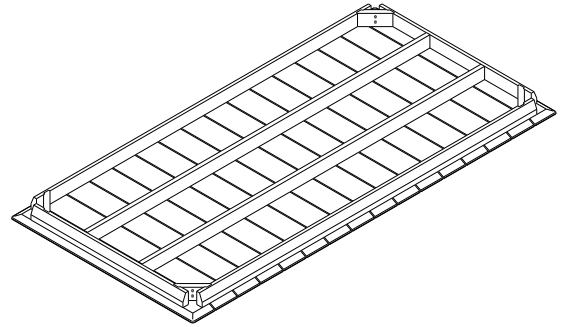


- READ THE ASSEMBLY INSTRUCTION BEFORE INSTALLATION AND CAREFULLY FOLLOW THE INSTRUCTION GIVEN.
- SEEK THE ADVICE OF A PROFESSIONAL IF YOU ARE NOT FAMILIAR WITH THESE INSTALLATIONS OR HAVE ANY DOUBTS ABOUT THE SAFETY OF THIS INSTALLATION.



- IT IS ADVISABLE TO DO THIS ASSEMBLY WITH MINIMUM OF 2 PERSONS.

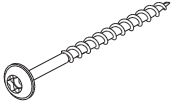

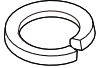
PARTS TO ASSEMBLE



A TABLE TOP 1piece

| CODE | DESCRIPTION |
|-------|---------------------------|
| P1042 | TABLE TOP 162x80 |
| P1010 | TABLE TOP 200x100 |
| P1011 | TABLE TOP 250x100 |
| P1014 | TABLE TOP 300x110 |
| P1061 | TABLE TOP - BLACK 162x80 |
| P1062 | TABLE TOP - BLACK 200x100 |
| P1063 | TABLE TOP - BLACK 250x100 |
| P1064 | TABLE TOP - BLACK 300x110 |
| P1068 | TABLE TOP 80x80 |

HARDWARE ENCLOSED

| | | |
|--------------------------------------------------------------------------------------------------------------------------------------|----------------------------------------------------------------------------------------------------------------------------------|--------------------------------------------------------------------------------------------------------------------------------------|
|  <p>H2035 SPAX SCREW M6x100 (8pcs)</p> |  <p>H2103 WASHER M8x23 (8pcs)</p> |  <p>H2036 SPRING WASHER M6 (8pcs)</p> |
|--------------------------------------------------------------------------------------------------------------------------------------|----------------------------------------------------------------------------------------------------------------------------------|--------------------------------------------------------------------------------------------------------------------------------------|



B LEG (INTERCHANGEABLE) 4pieces

| CODE | DESCRIPTION |
|-------|----------------------------------|
| P1012 | LEG FOR 80, 162 & 200 LENGTH |
| P1013 | LEG FOR 250 & 300 LENGTH |
| P1065 | LEG - BLACK FOR 162 & 200 LENGTH |
| P1066 | LEG - BLACK FOR 250 & 300 LENGTH |

TOOL

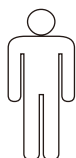
(Included in packaged)



SYMBOLS



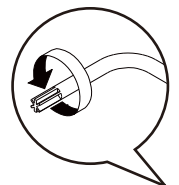
DIRECTION



NUMBER OF
PERSONS NEEDED



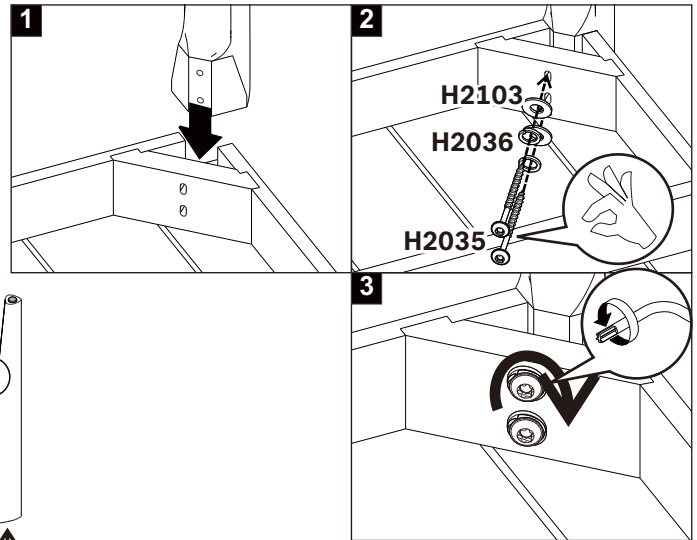
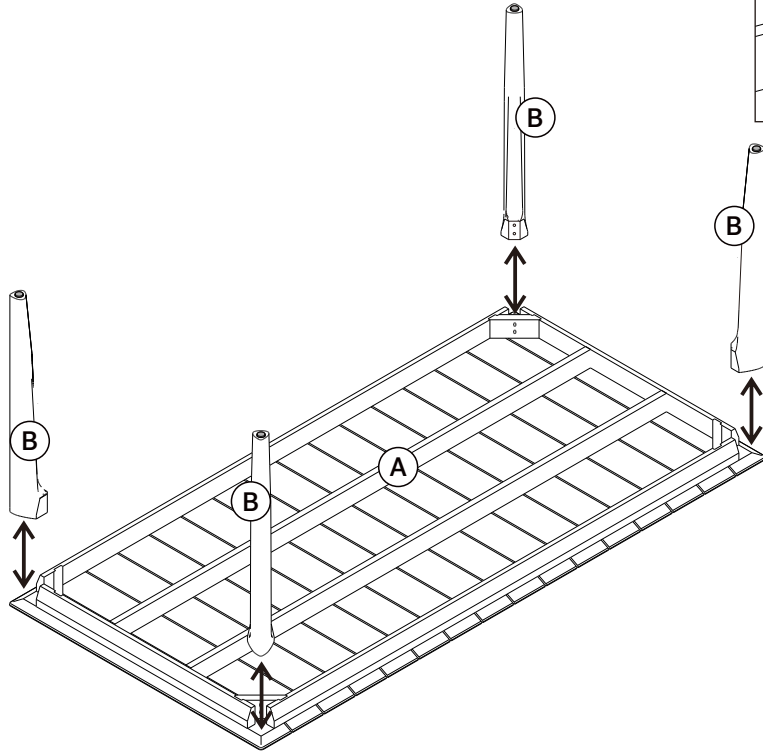
USE HAND



USE TORX ALLEN SCREW
TO TIGHTEN

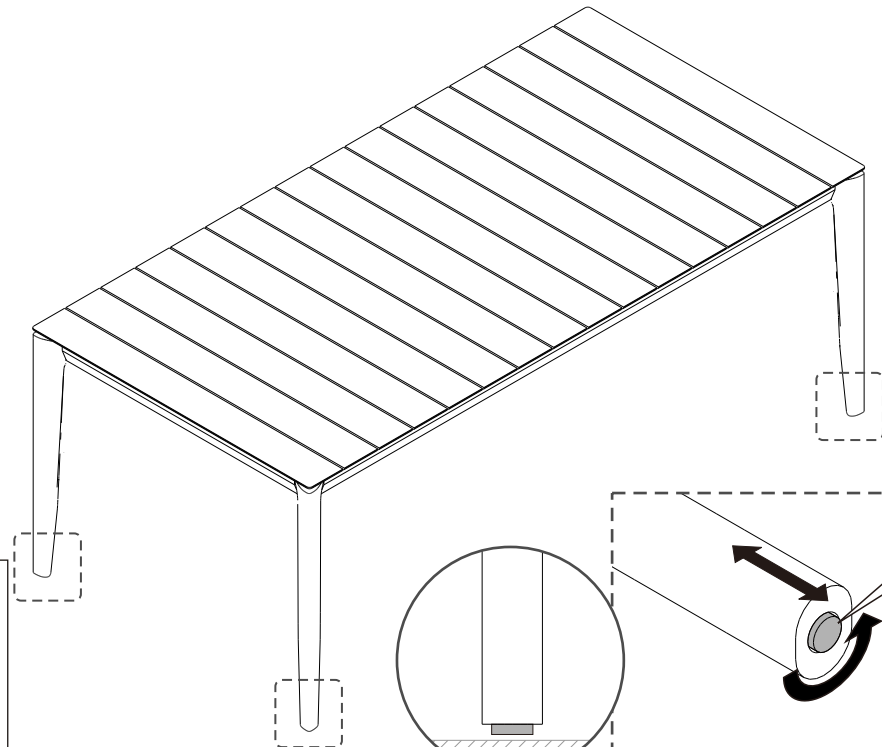
TEAK BOK OUTDOOR DINING TABLE ASSEMBLY INSTRUCTIONS FOR DINING TABLE INSTALLATION

A. CONNECTING LEGS TO TABLE TOP

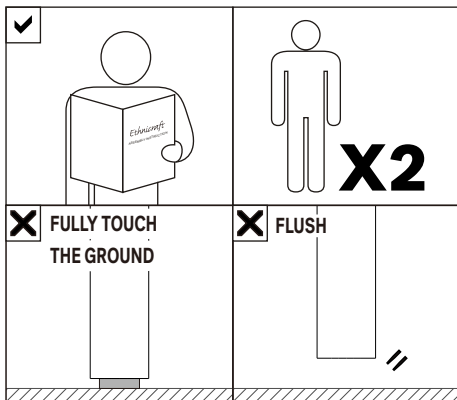


- NOT TOO TIGHT
- TO BE RE-TIGHTENED AFTER 15 DAYS
- REPEAT STEP 1 TO STEP 3 FOR OTHER LEGS

B. ADJUST LEVELER



NOTICE



IMPORTANT NOTICE :

TO PREVENT WARPING, BEFORE USING A TABLE,
ALWAYS ADAPT THE ADJUSTABLE GLIDES OF THE EACH LEGS TO THE GROUND SURFACE.
FOR STABILITY, EACH LEGS NEED TO BE SLIGHTLY SHORTER.