

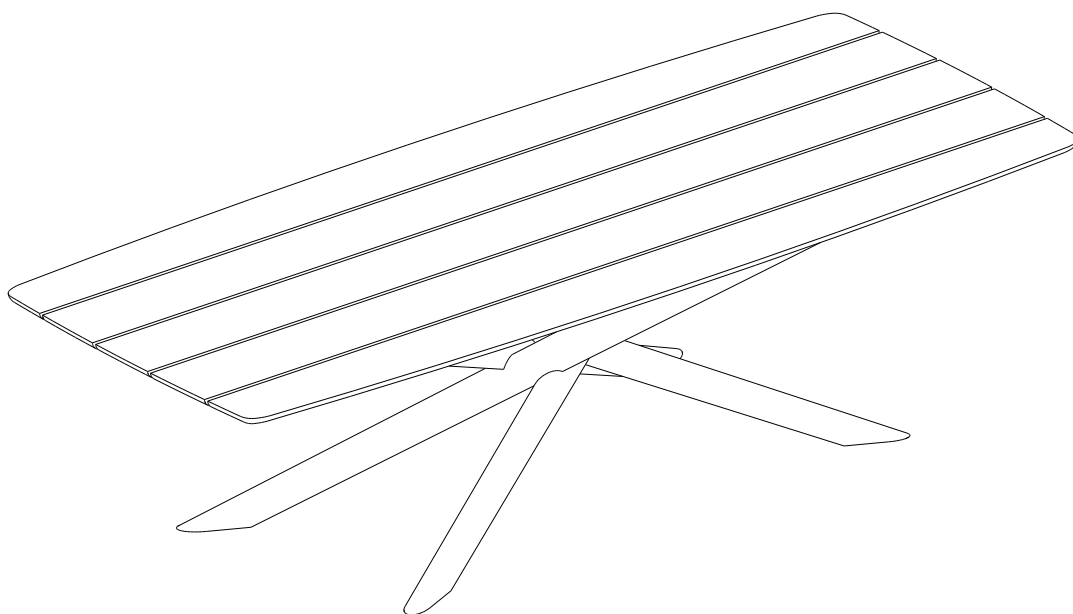
# Ethnicraft

## ASSEMBLY INSTRUCTIONS FOR TABLE INSTALLATION

---

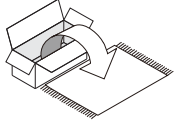
### TEAK MIKADO OUTDOOR DINING TABLE

CODE	DESCRIPTION
10273	TEAK MIKADO OUTDOOR DINING TABLE 203/104/76
10274	TEAK MIKADO OUTDOOR DINING TABLE 240/108/76



## TEAK MIKADO OUTDOOR DINING TABLE ASSEMBLY INSTRUCTIONS FOR DINING TABLE INSTALLATION

### NOTE



- CAREFULLY OPEN THE CARTON,
- REMOVE CONTENTS AND LAY OUT ON CARPET OR THE PACKAGING CARTON BOX OR OTHER PROTECTIVE SURFACE TO AVOID DAMAGE.
- CHECK PACKAGE CONTENTS TO ASSURE ALL THE NECESSARY HARDWARE AND PARTS ARE RECEIVED UNDAMAGED.
- DO NOT USE DAMAGE OR DEFECTIVE PARTS/HARDWARE.
- CONTACT ETHNICRAFT FOR ANY MISSING PART AND /OR HARDWARE.

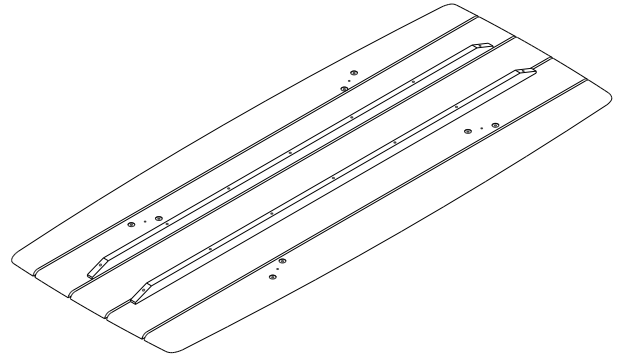


- READ THE ASSEMBLY INSTRUCTION BEFORE INSTALLATION AND CAREFULLY FOLLOW THE INSTRUCTION GIVEN.
- SEEK THE ADVICE OF A PROFESSIONAL IF YOU ARE NOT FAMILIAR WITH THESE INSTALLATIONS OR HAVE ANY DOUBTS ABOUT THE SAFETY OF THIS INSTALLATION.



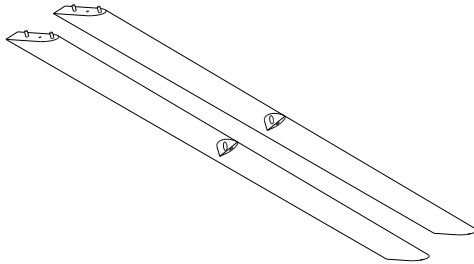
- IT IS ADVISABLE TO DO THIS ASSEMBLY WITH MINIMUM OF 2 PERSONS.

### PARTS TO ASSEMBLE



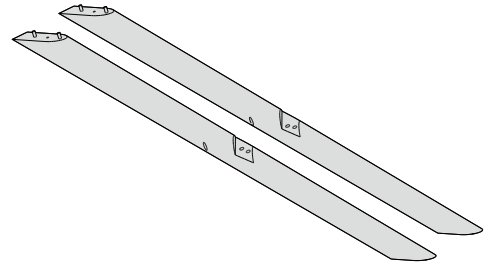
#### A TABLE TOP 1piece

CODE	DESCRIPTION
P1055	TABLE TOP 203x104
P1056	TABLE TOP 240x108



#### B LEG 1 2pcs

CODE	DESCRIPTION
P1057	LEG 1



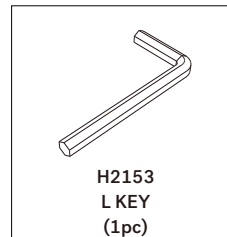
#### C LEG 2 2pcs

CODE	DESCRIPTION
P1058	LEG 2

### HARDWARE ENCLOSED

<p>H2156 JCBC Screw M8x70 (4pcs)</p>	<p>H2157 JCBC Screw M8x60 (4pcs)</p>	<p>H2158 Dowel Ø12x30 (4pcs)</p>
<p>H2154 Spring Washer M8 (8pcs)</p>	<p>H2155 Washer M8 (8pcs)</p>	

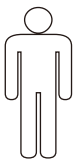
### TOOL (Included in package)



### SYMBOLS



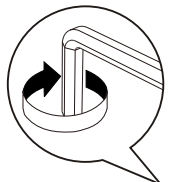
DIRECTION



NUMBER OF  
PERSONS NEEDED



USE HAND

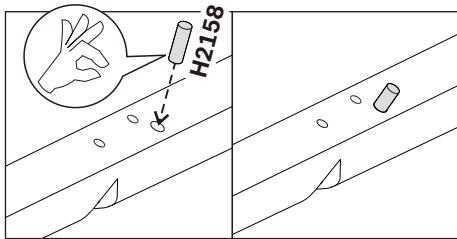
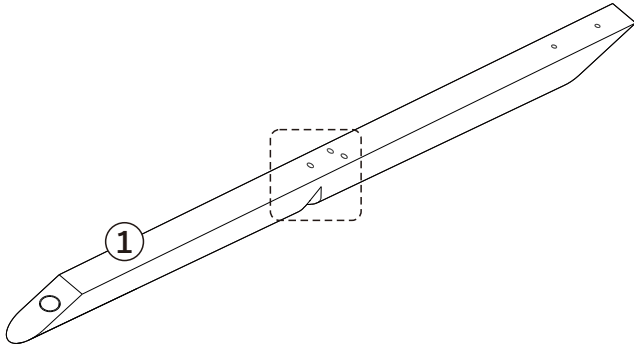


USE L KEY  
TO TIGHTEN

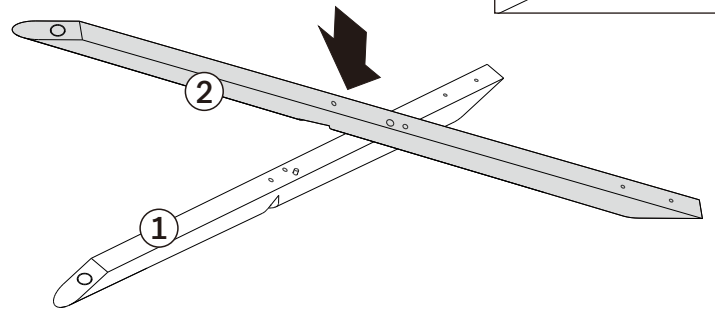
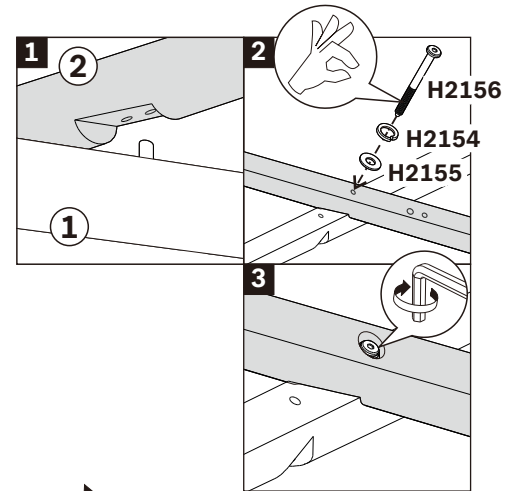
## TEAK MIKADO OUTDOOR DINING TABLE ASSEMBLY INSTRUCTIONS FOR DINING TABLE INSTALLATION

### A. INSTALLING LEGS

#### LEG 1 & 2

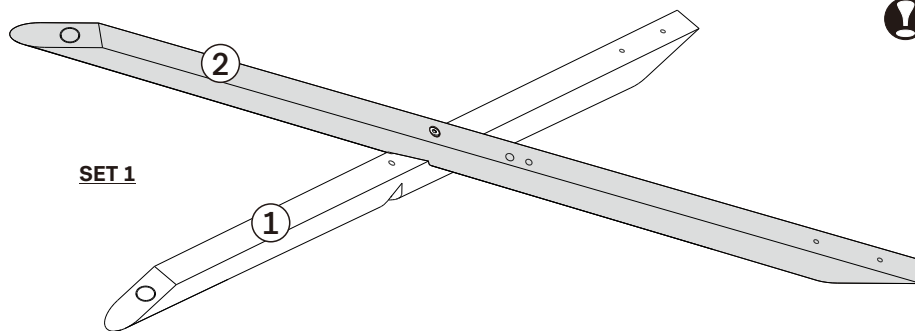


**!** USE DOWEL Ø12 X 30mm (1X)



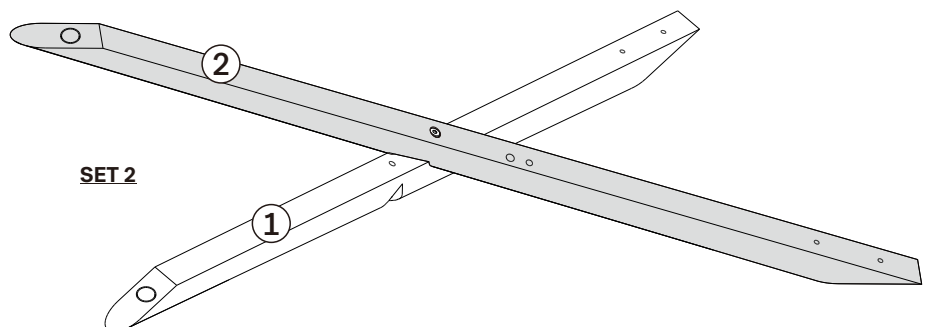
- USE JCBC SCREW M8x70mm (1X)
- USE SPRING WASHER M8 (1X)
- !** - USE WASHER M8 (1X)
- DO NOT FULLY TIGHTEN
- REPEAT THOSE STEP FOR OTHER LEGS

### SET OF LEGS



SET 1

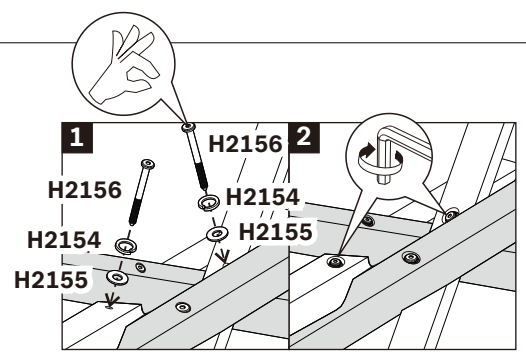
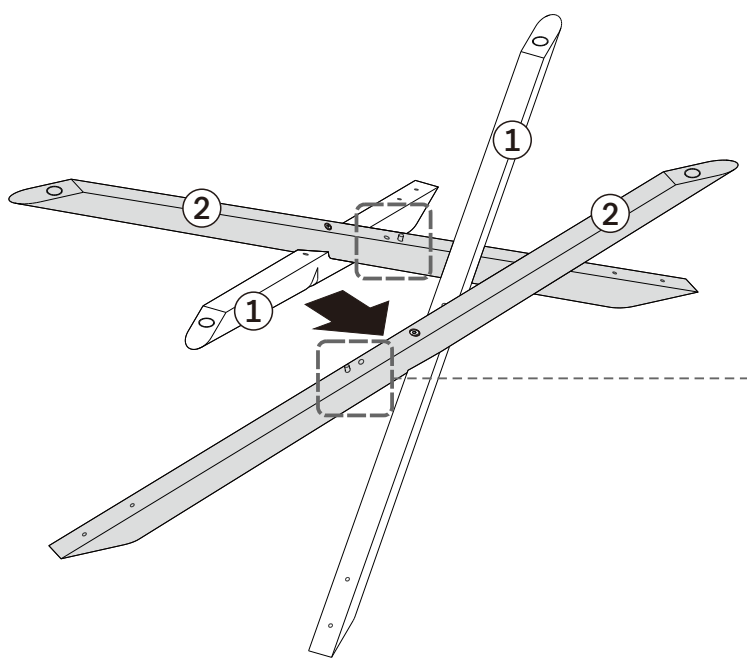
- 1 SET LEG CONSISTS OF LEG 1 & 2
- !** - AFTER ASSEMBLY ON STEP A, LEGS WILL CONSISTS OF 2 SETS



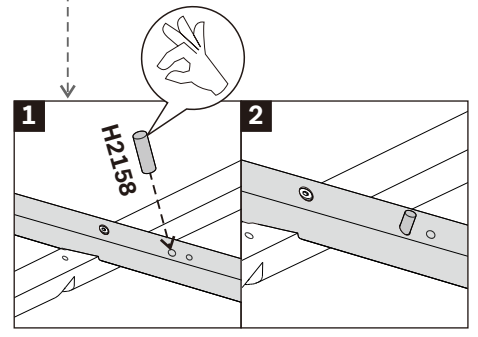
SET 2

## TEAK MIKADO OUTDOOR DINING TABLE ASSEMBLY INSTRUCTIONS FOR DINING TABLE INSTALLATION

### B. INSTALLING SET OF LEGS TOGETHER (SET 1 & SET 2)



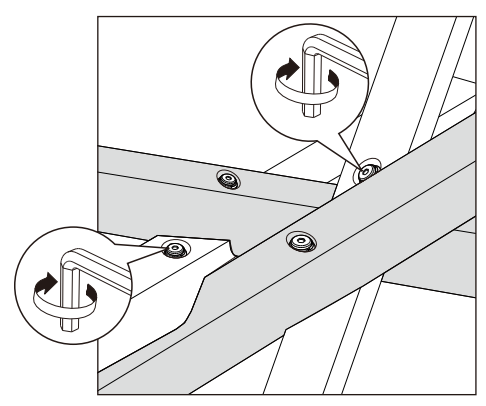
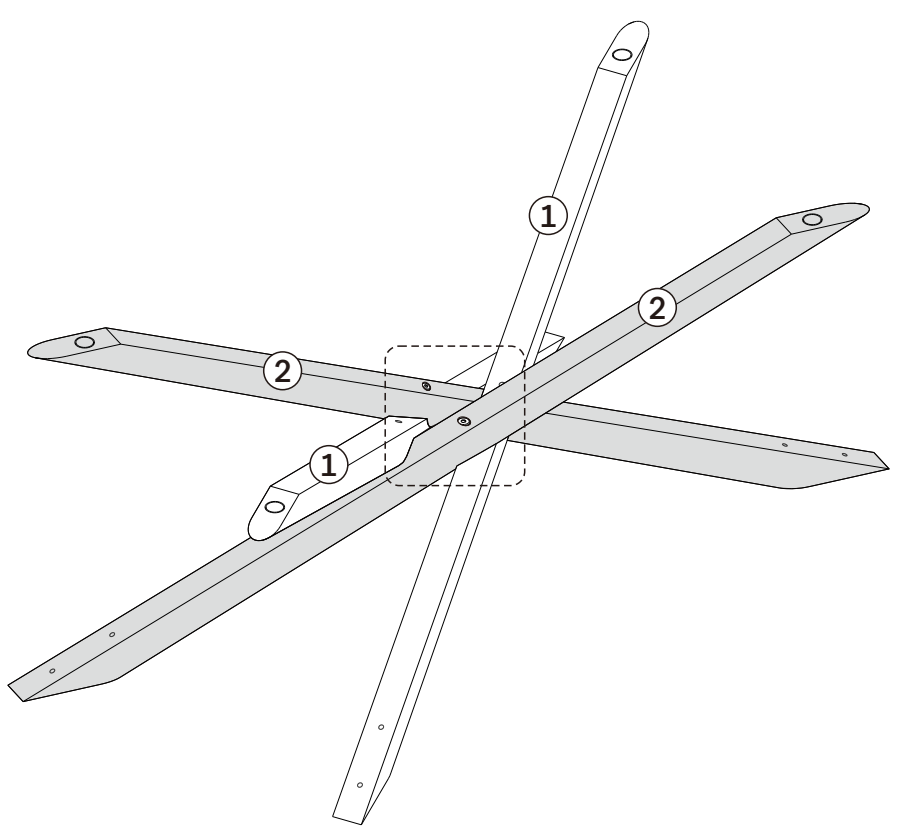
- USE JCBC SCREW M8x70mm (2X)
- USE SPRING WASHER M8 (2X)
- USE WASHER M8 (2X)



- USE DOWEL Ø12 X 30mm (2X)



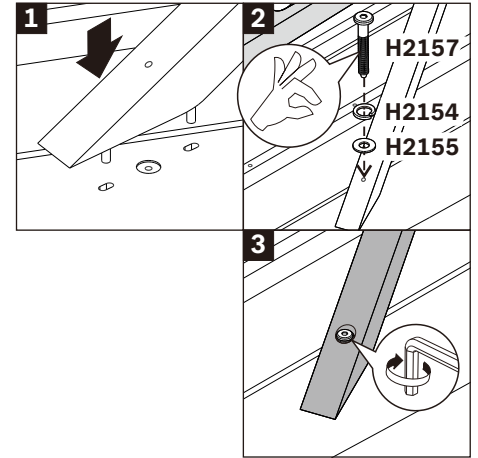
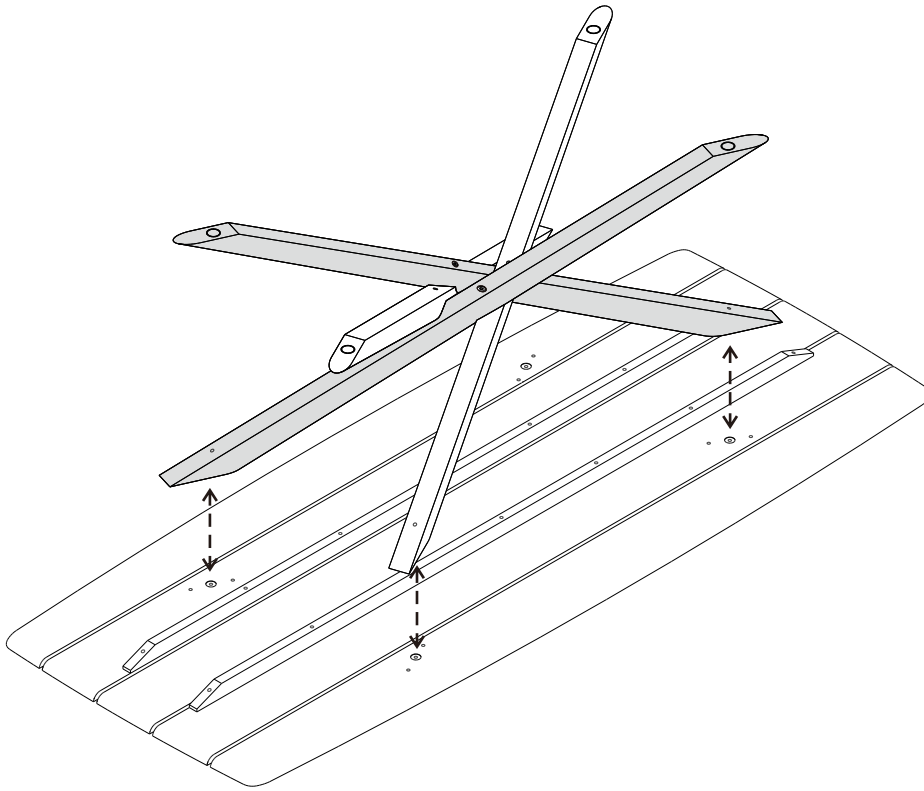
### C. RE-TIGHTENING



 TIGHTEN FULLY

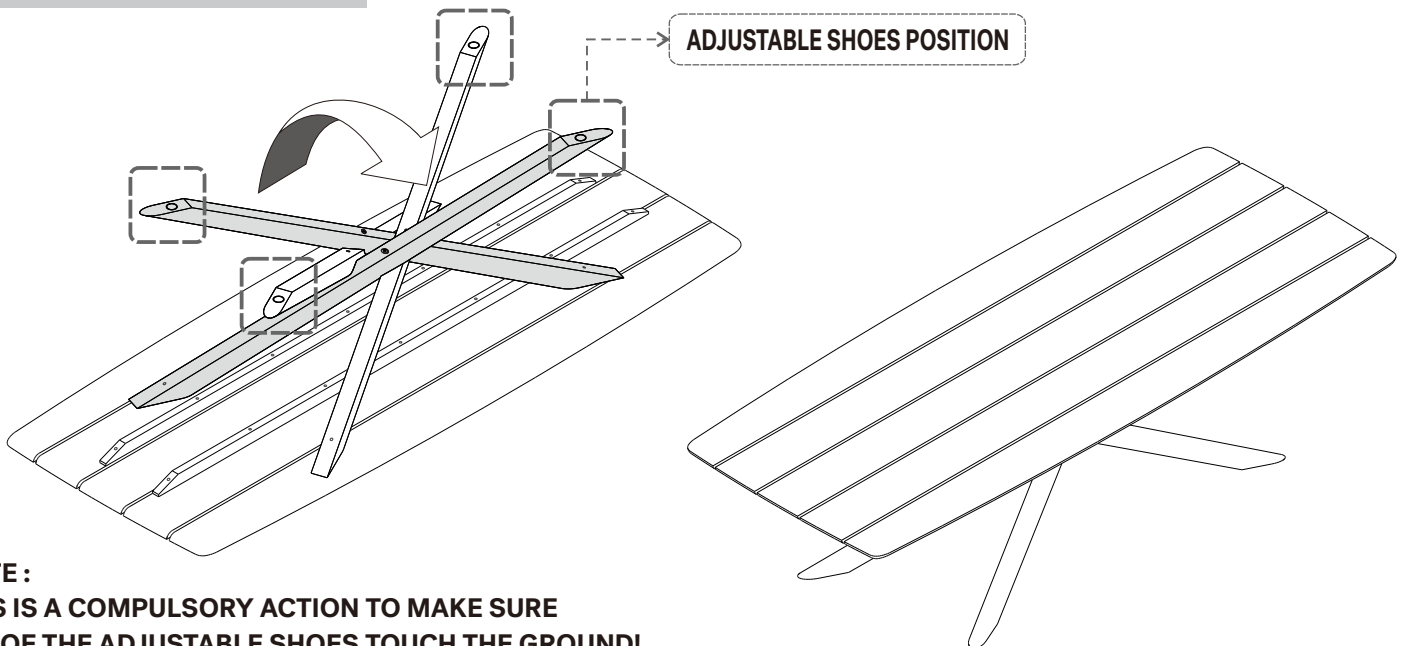
## TEAK MIKADO OUTDOOR DINING TABLE ASSEMBLY INSTRUCTIONS FOR DINING TABLE INSTALLATION

### D. INSTALLING LEGS TO TOP PANEL



- LEGS ARE INTERCHAEABLE
- USE JCBC SCREW M8x60mm (4X)
- USE SPRING WASHER M8 (4X)
- USE WASHER M8 (4X)
- TIGHTEN FULLY ALL SCREWS

### E. ADJUSTING ADJUSTABLE SHOES



**NOTE :**  
THIS IS A COMPULSORY ACTION TO MAKE SURE  
ALL OF THE ADJUSTABLE SHOES TOUCH THE GROUND!

