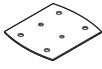


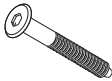
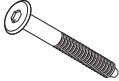
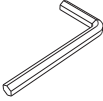
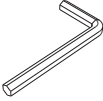



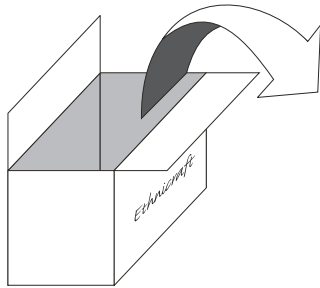
## 55013 OAK GEOMETRIC DINING TABLE ASSEMBLY INSTRUCTIONS FOR DINING TABLE INSTALLATION

### HARDWARE ENCLOSED

 <b>METAL PLATE</b> 4pcs	 <b>SCREW</b> M8x50mm 8pcs	 <b>SCREW</b> M8x16mm 16pcs
 <b>SCREW</b> M6x50mm 10pcs	 <b>SCREW</b> M6x60mm 4pcs	

### TOOLS

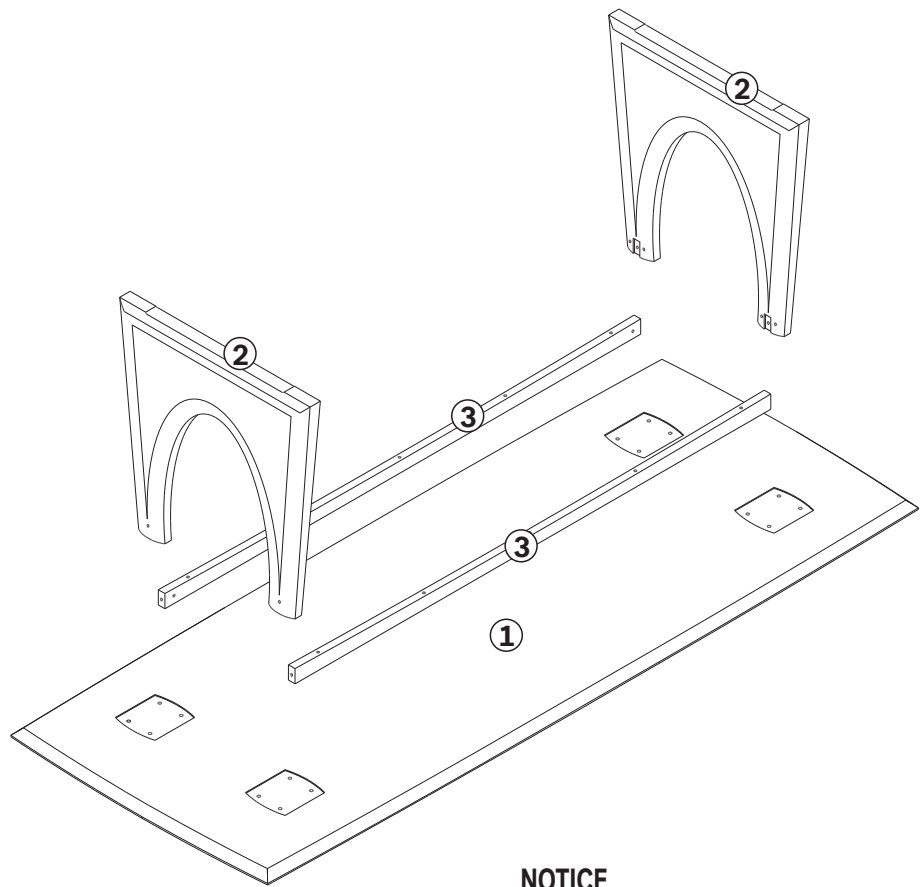
 <b>L KEY 4</b> (Included in package)	 <b>L KEY 5</b> (Included in package)
 <b>SCREWDRIVER</b> (Not included in package)	



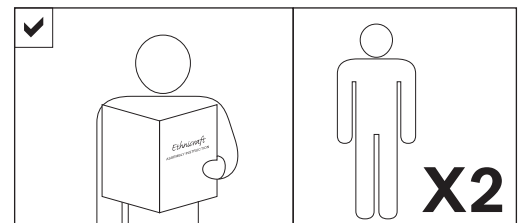
**IN YOUR PACKAGE :**  
ASSEMBLY INSTRUCTIONS  
HARDWARE (AS LISTED ABOVE)

### PARTS TO BE INSTALLED

1. TABLE TOP 1pc
2. LEGS 2pcs
3. APRONS 2pcs



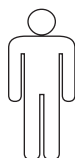
### NOTICE



### SYMBOLS



DIRECTION



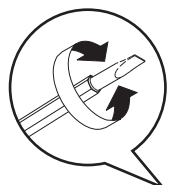
NUMBER OF  
PERSONS NEEDED



USE HAND



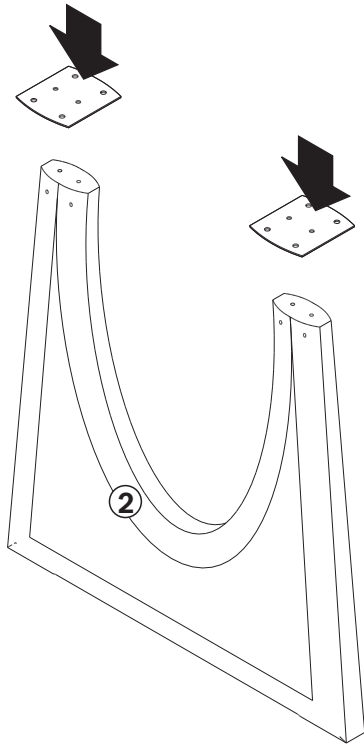
USE L KEY  
TO TIGHTEN



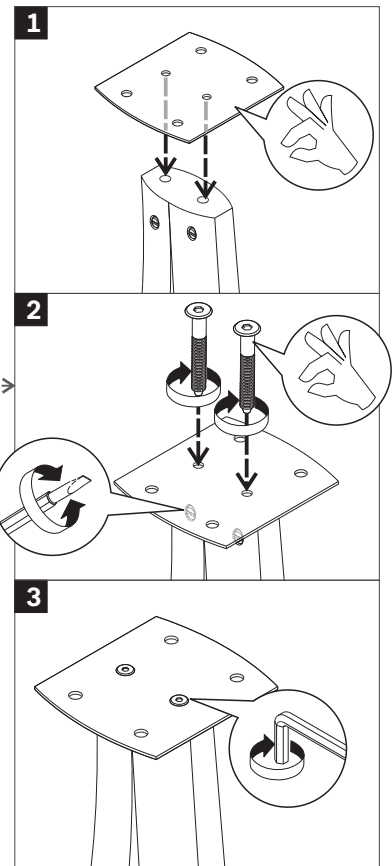
USE SCREWDRIVER  
TO TIGHTEN

## 55013 OAK GEOMETRIC DINING TABLE ASSEMBLY INSTRUCTIONS FOR DINING TABLE INSTALLATION

### A. INSTALLING METAL PLATE TO THE LEGS

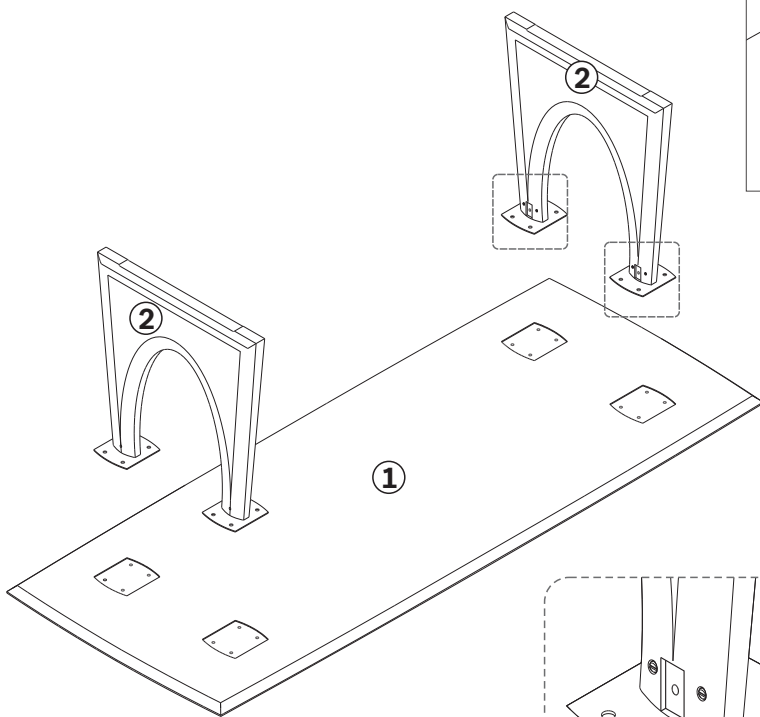


WITH SCREWDRIVER TO FIT SCREW INTO THE BARREL NUT

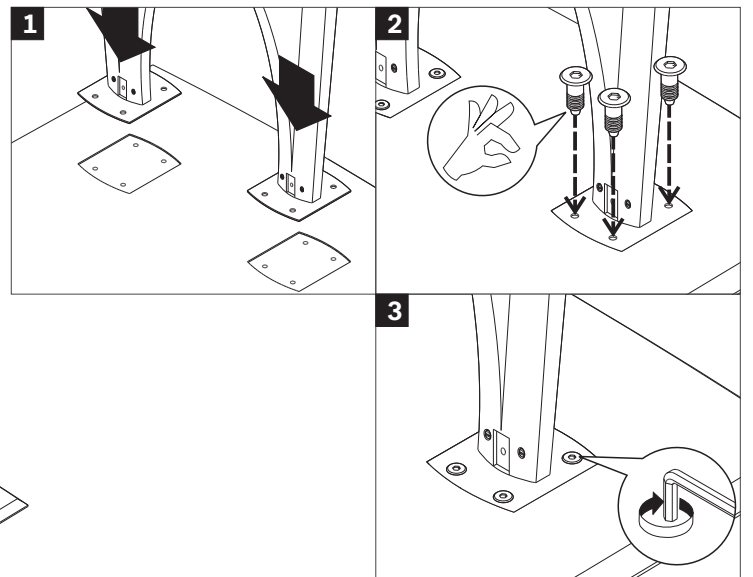


- ! - USE METAL PLATE (4X)
- USE SCREW M8x50mm (8X)
- USE L KEY 5 TO TIGHTEN
- TIGHTEN FULLY ALL SCREWS

### B. INSTALLING LEGS TO TABLE TOP



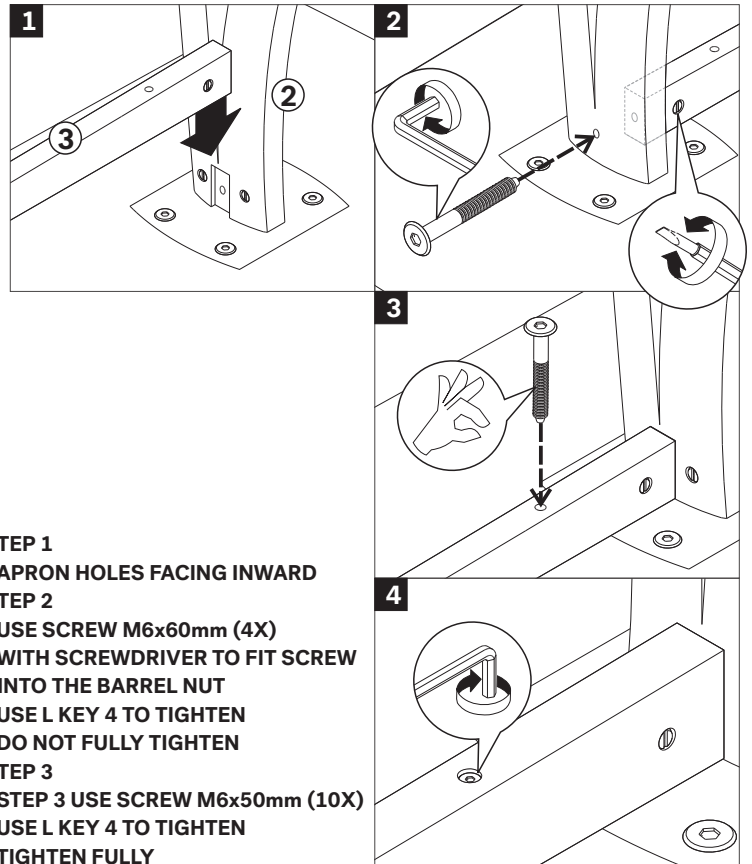
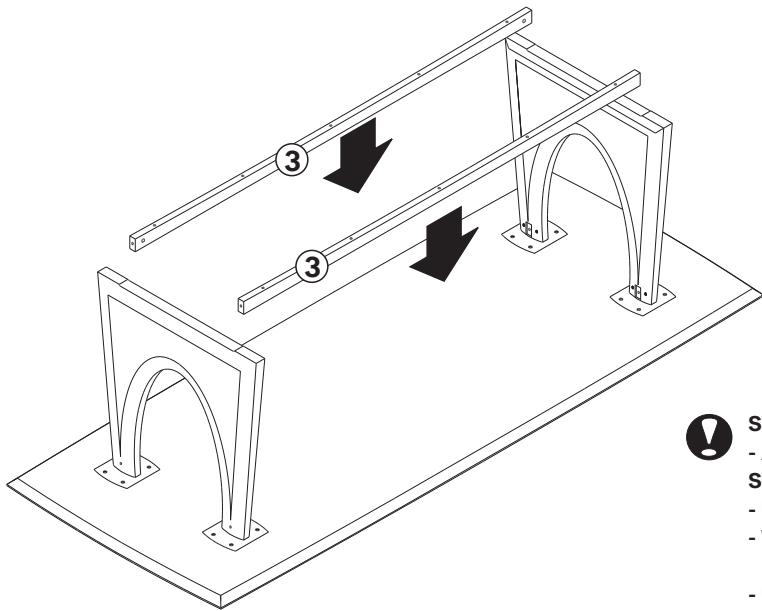
THE GROOVE OF THE LEGS  
MUST BE FACING INWARD



- ! - USE SCREW M8x16mm (16X)
- USE L KEY 5 TO TIGHTEN
- DO NOT FULLY TIGHTEN

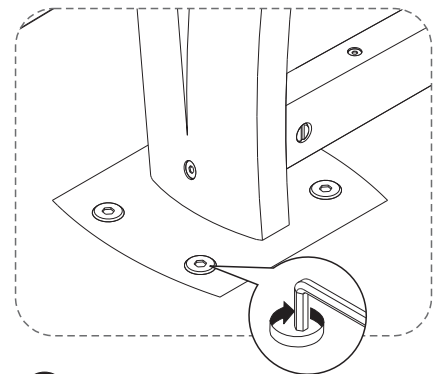
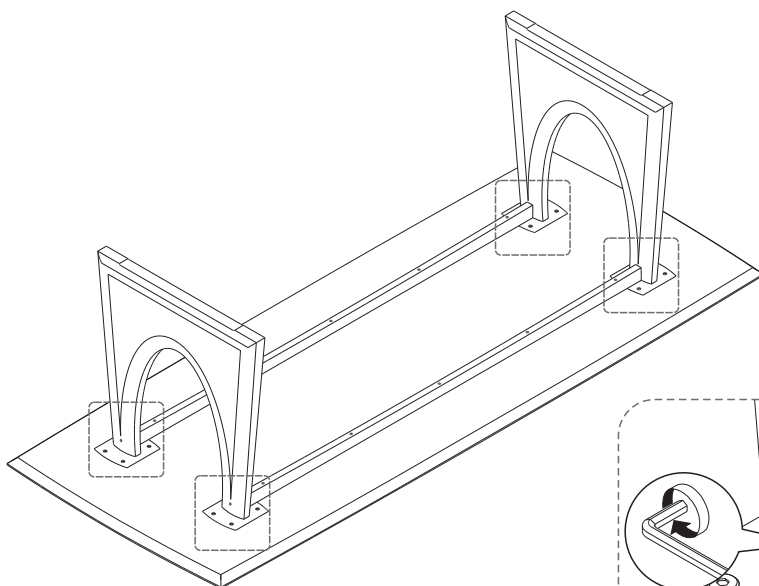
## 55013 OAK GEOMETRIC DINING TABLE ASSEMBLY INSTRUCTIONS FOR DINING TABLE INSTALLATION

### C. INSTALLING APRON TO THE LEGS & TABLE TOP

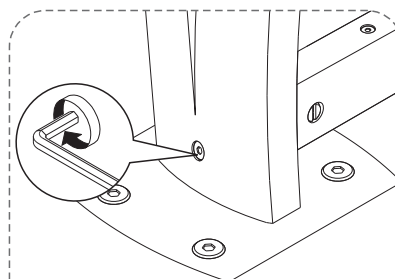


- STEP 1**
- APRON HOLES FACING INWARD
- STEP 2**
- USE SCREW M6x60mm (4X)
- WITH SCREWDRIVER TO FIT SCREW INTO THE BARREL NUT
- USE L KEY 4 TO TIGHTEN
- DO NOT FULLY TIGHTEN
- STEP 3**
- STEP 3 USE SCREW M6x50mm (10X)
- USE L KEY 4 TO TIGHTEN
- TIGHTEN FULLY

### D. RE-TIGHTEN ALL SCREWS



**USE L KEY 5 TO TIGHTEN FULLY**



**USE L KEY 4 TO TIGHTEN FULLY**