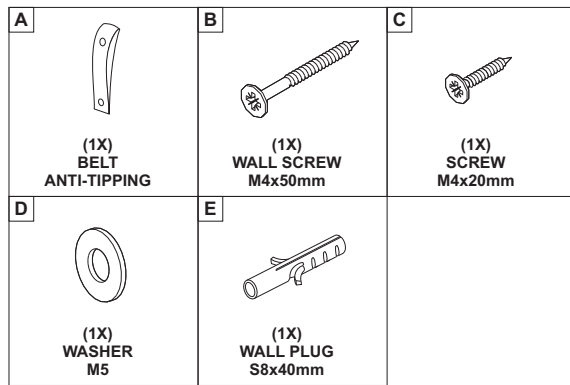
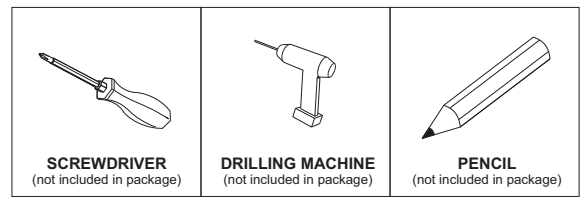


#### HARDWARE ENCLOSED



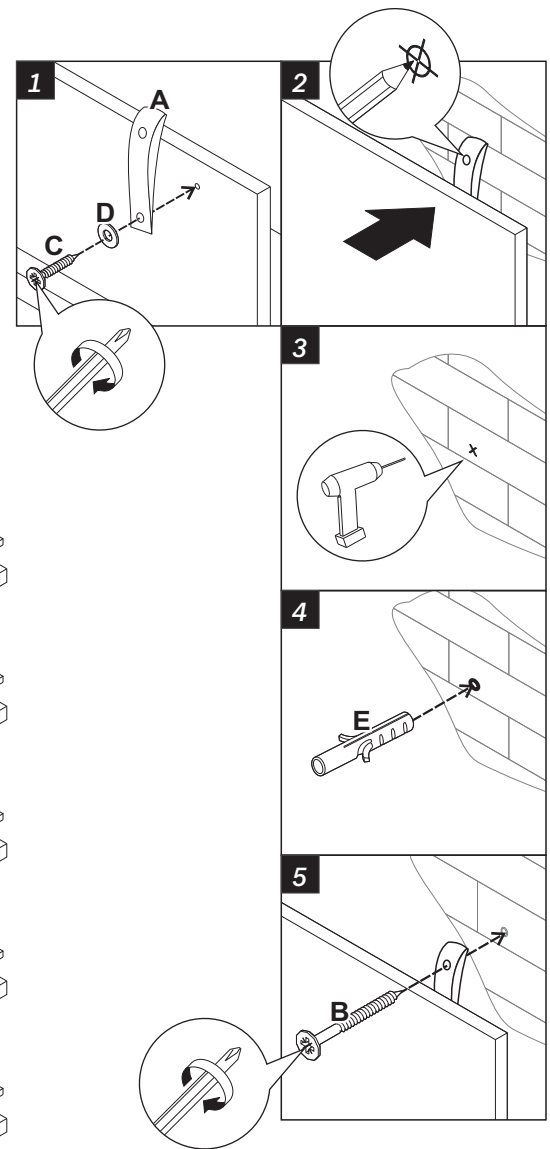
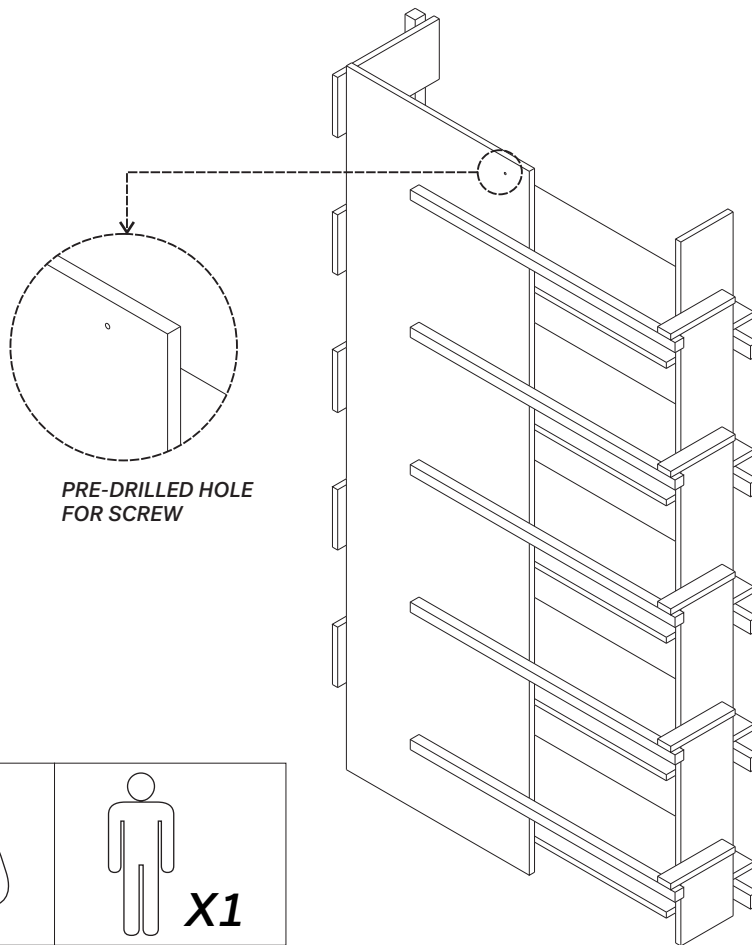
#### TOOLS



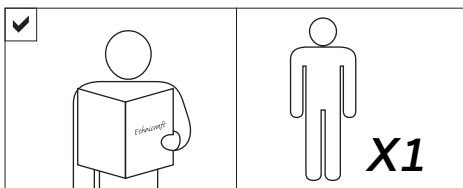
#### INSTALLING ANTI-TIPPING SYSTEM



AS WALL MATERIALS VARY,  
THE SCREW INCLUDED ARE FOR BRICK WALL.  
FOR ADVICE ON SUITABLE SCREW SYSTEMS,  
CONTACT YOUR LOCAL SPECIALISED DEALER.

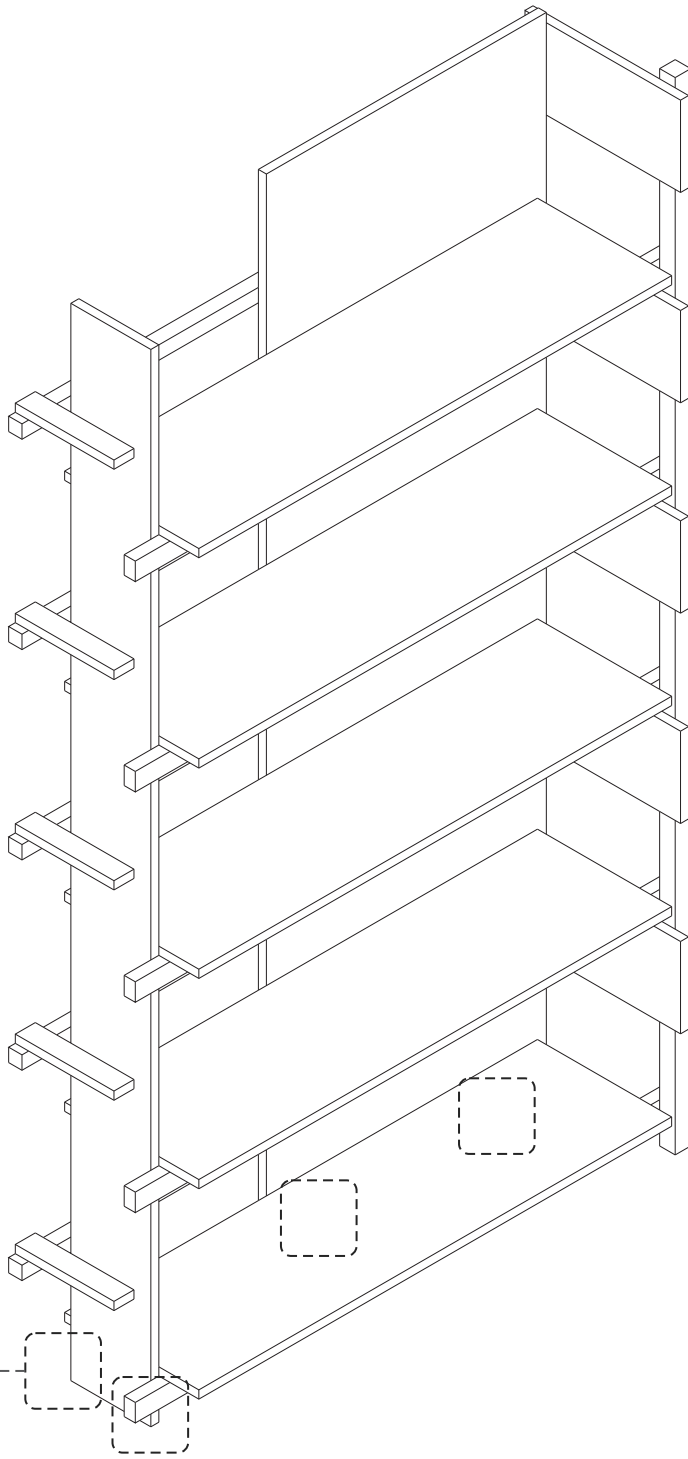


#### NOTICE



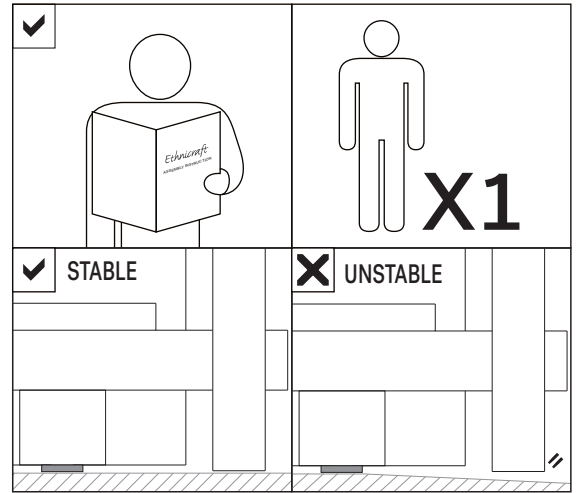
#### INSTRUCTION

1. Install anti-tipping belt (A), washer (D) with M4x20mm screw (C) into the pre-drilled hole on the top back panel of the item.
2. Using a 1/4" diameter drill bit, drill the wall at the same level as the anti-tipping belt (A) on the item. Install the wall plug (E) into the hole.
3. Connect the anti-tipping belt (A) with wall screw (B) into the wall plug (E)

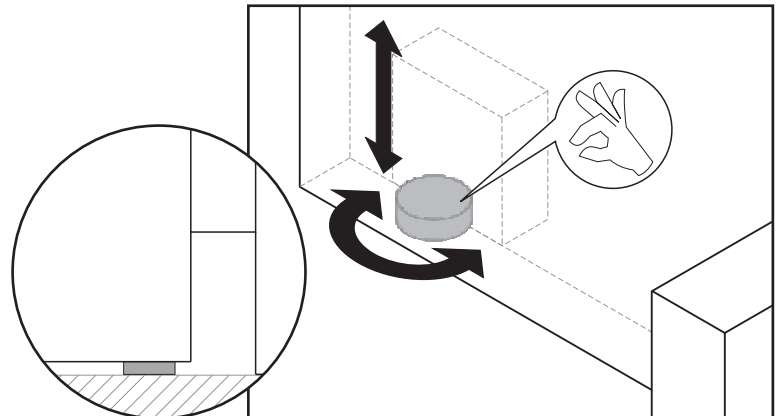


LEVELER POSITION

### NOTICE



### ADJUST LEVELER



**NOTE :**  
THIS IS A COMPULSORY ACTION TO ENSURE  
A STABLE FOOTHOLD FOR THE RACK!