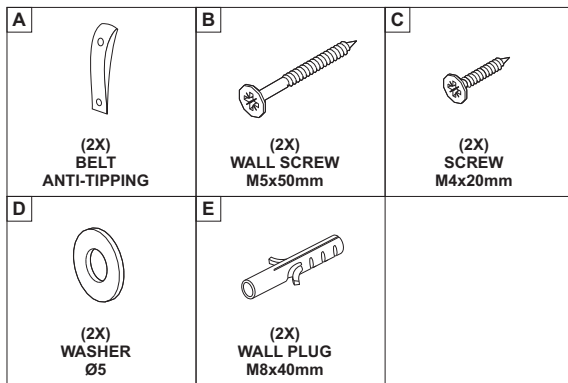


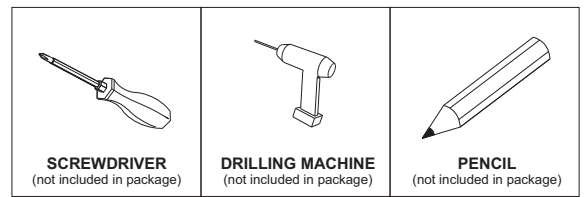
# Ethnicraft

## ASSEMBLY INSTRUCTION FOR ANTI-TIPPING INSTALLATION

### HARDWARE ENCLOSED



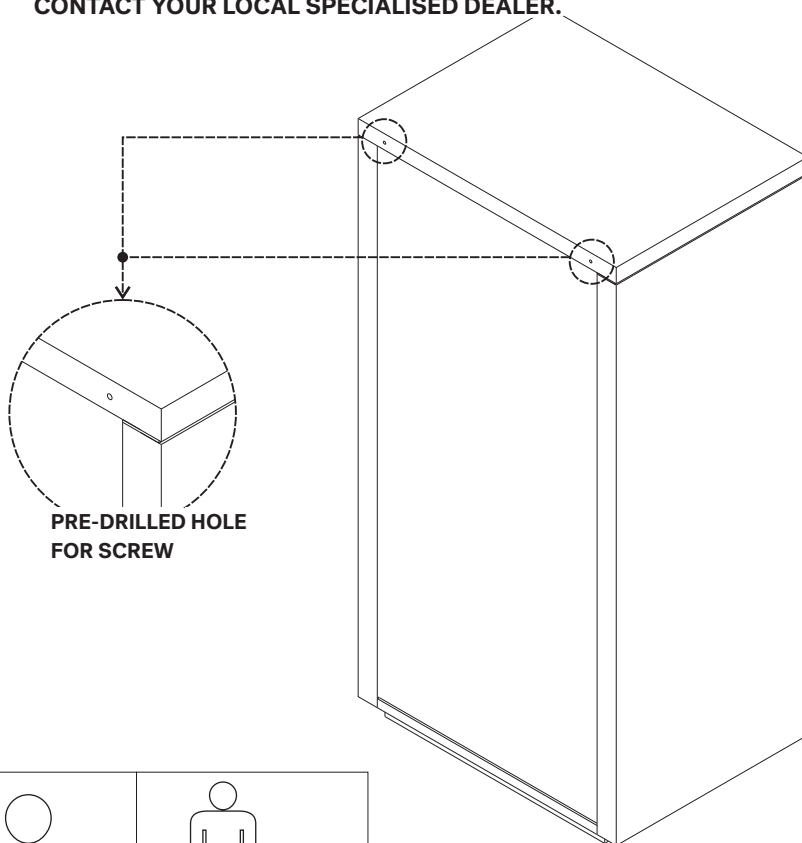
### TOOLS



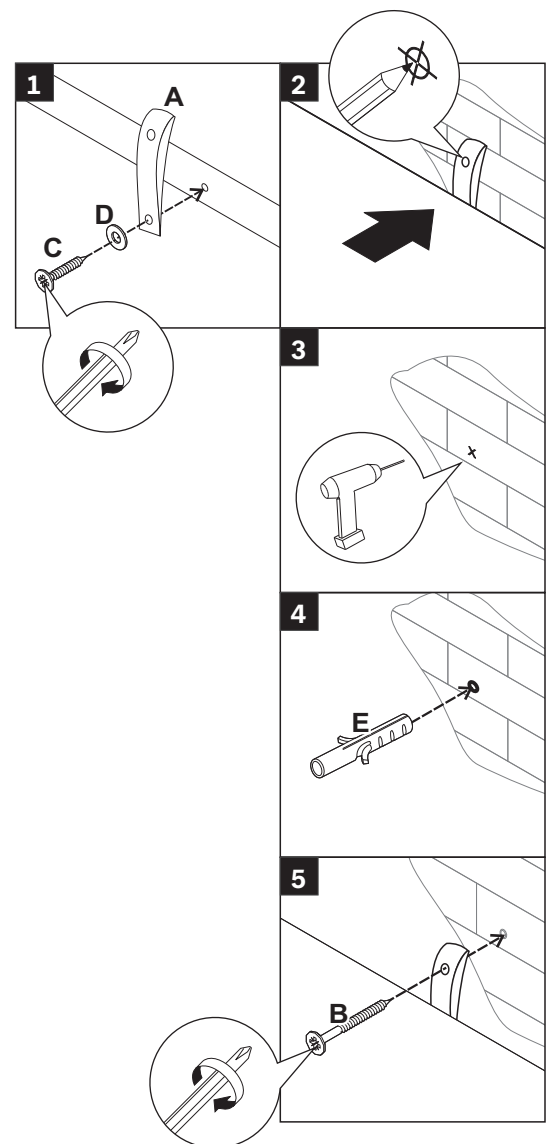
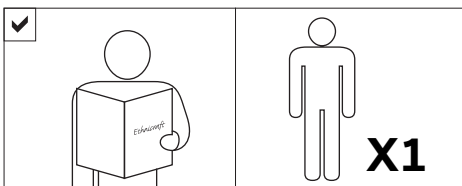
### INSTALLING ANTI-TIPPING SYSTEM



AS WALL MATERIALS VARY,  
THE SCREW INCLUDED ARE FOR BRICK WALL.  
FOR ADVICE ON SUITABLE SCREW SYSTEMS,  
CONTACT YOUR LOCAL SPECIALISED DEALER.



### NOTICE

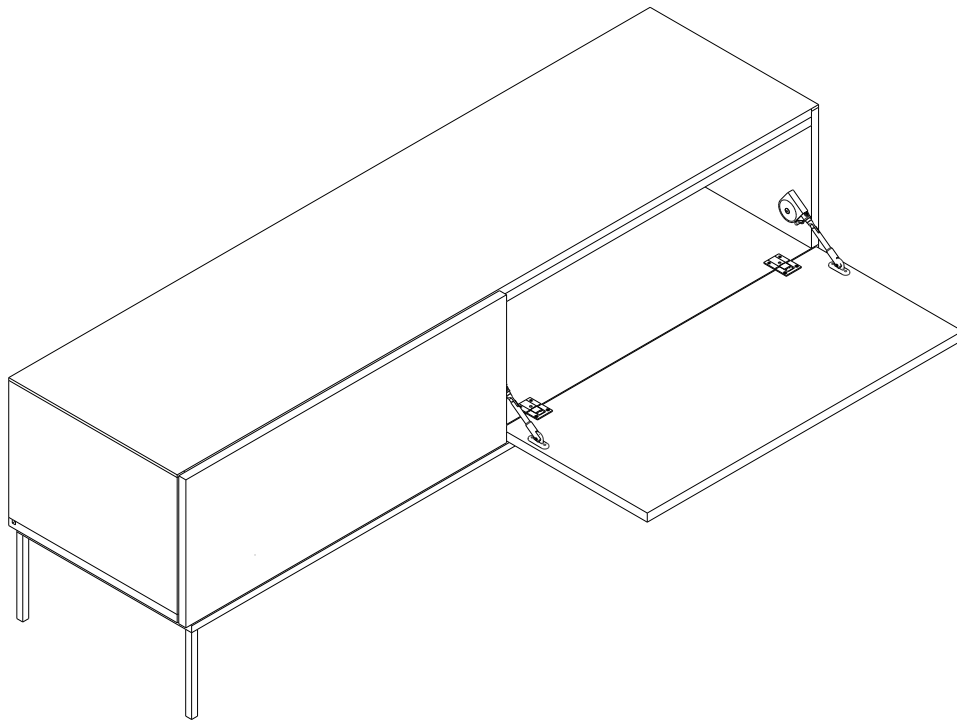
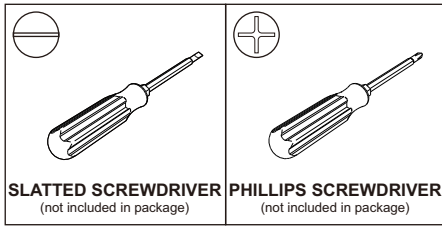


### INSTRUCTION

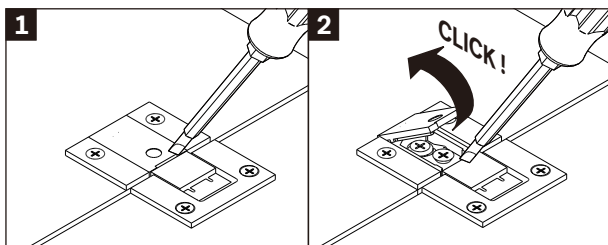
1. Install anti-tipping belt (A), washer (D) with M4x20mm screw (C) into the pre-drilled hole on the top back frame of the item.
2. Using a 1/4" diameter drill bit, drill the wall at the same level as the anti-tipping belt (A) on the item. Install the wall plug (E) into the hole.
3. Connect the anti-tipping belt (A) with wall screw (B) into the wall plug (E)

## ASSEMBLY INSTRUCTIONS FOR HINGE & FLIP-DOWN DOOR ADJUSTMENT

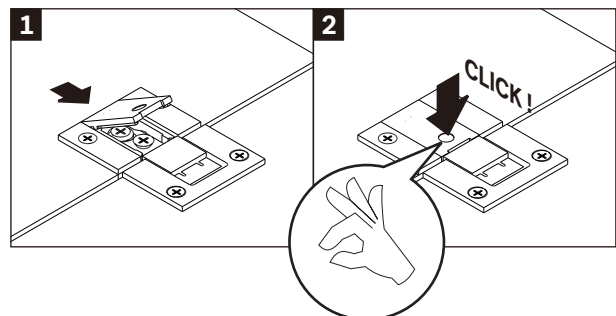
### TOOLS



### COVER CAP REMOVAL



### COVER CAP INSTALLATION

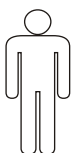


 **USE SLATTED SCREWDRIVER**

### SYMBOLS



**DIRECTION**



**NUMBER OF PERSONS NEEDED**

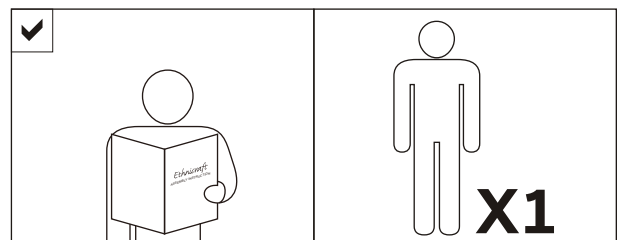


**USE HAND**

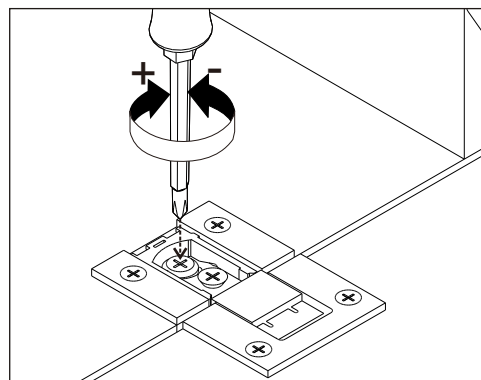
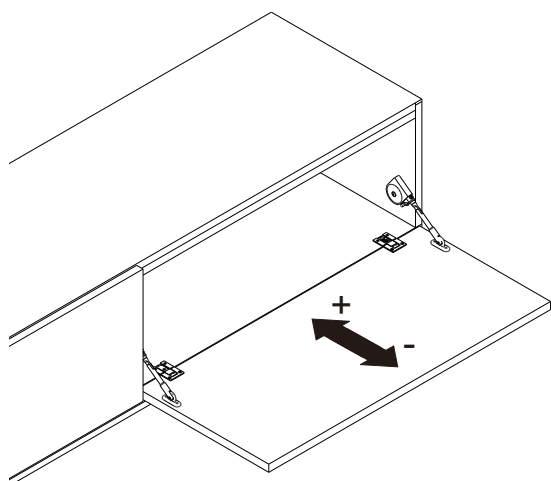


**USE PHILLIPS SCREWDRIVER TO TIGHTEN**

### NOTICE

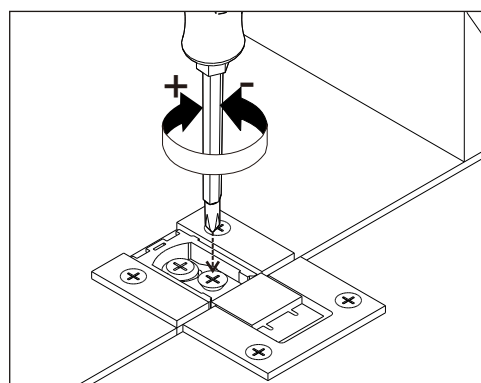
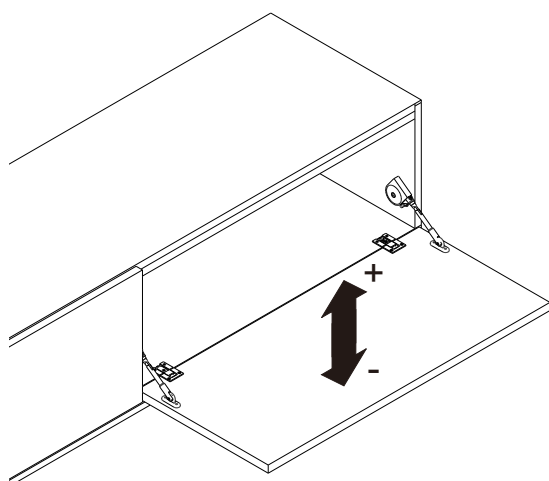


### A DEPTHWISE ADJUSTMENT



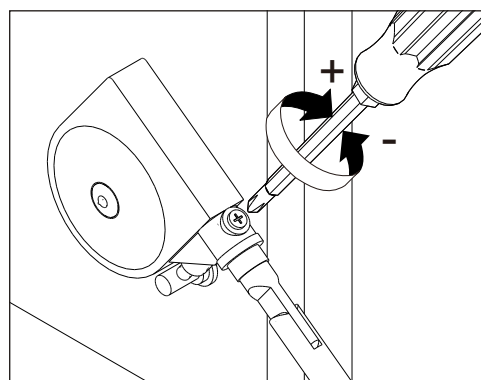
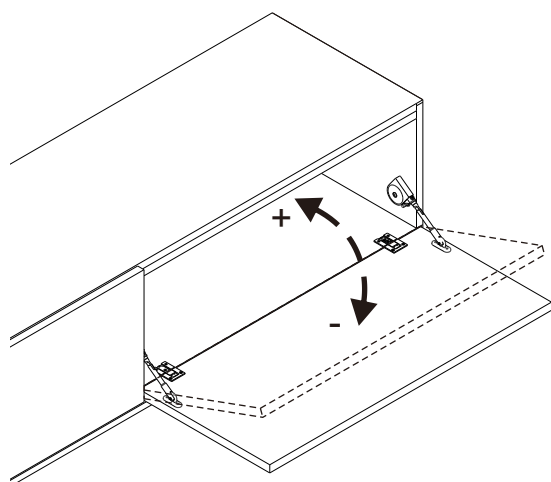
- ⚠ - DEPTH ADJUSTMENT  $0 \pm 2$  MM
- ⚠ - ADJUST DOOR POSITION ONLY IF NEEDED

### B HEIGHTWISE ADJUSTMENT



- ⚠ - HEIGHT ADJUSTMENT  $0 \pm 2$  MM
- ⚠ - ADJUST DOOR POSITION ONLY IF NEEDED

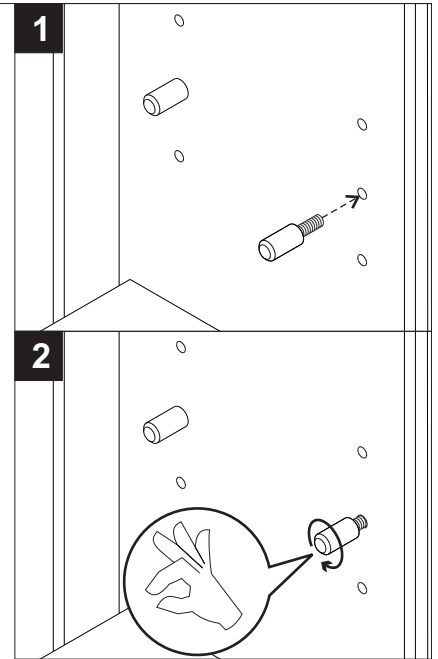
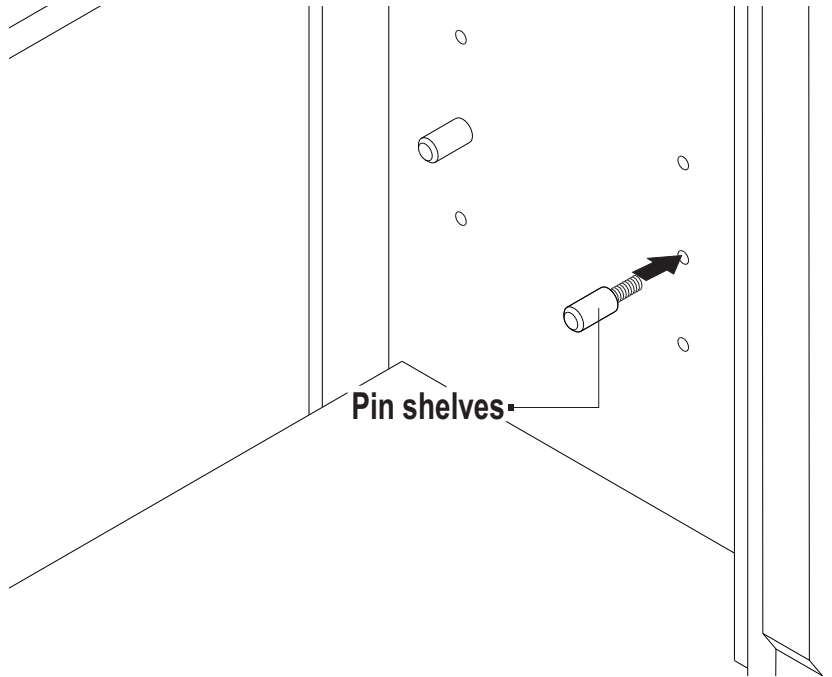
### C ANGLE OF THE DOOR ADJUSTMENT



- ⚠ - ADJUST DOOR POSITION ONLY IF NEEDED

ASSEMBLY INSTRUCTION FOR PIN SHELVES INSTALLATION

**A. Installing the Pin Shelves**



**Note :**  
Choose The Desired Shelf Height  
(Bottom, Middle or Top)

**B. Installing Shelves**

