

6

5

4

3

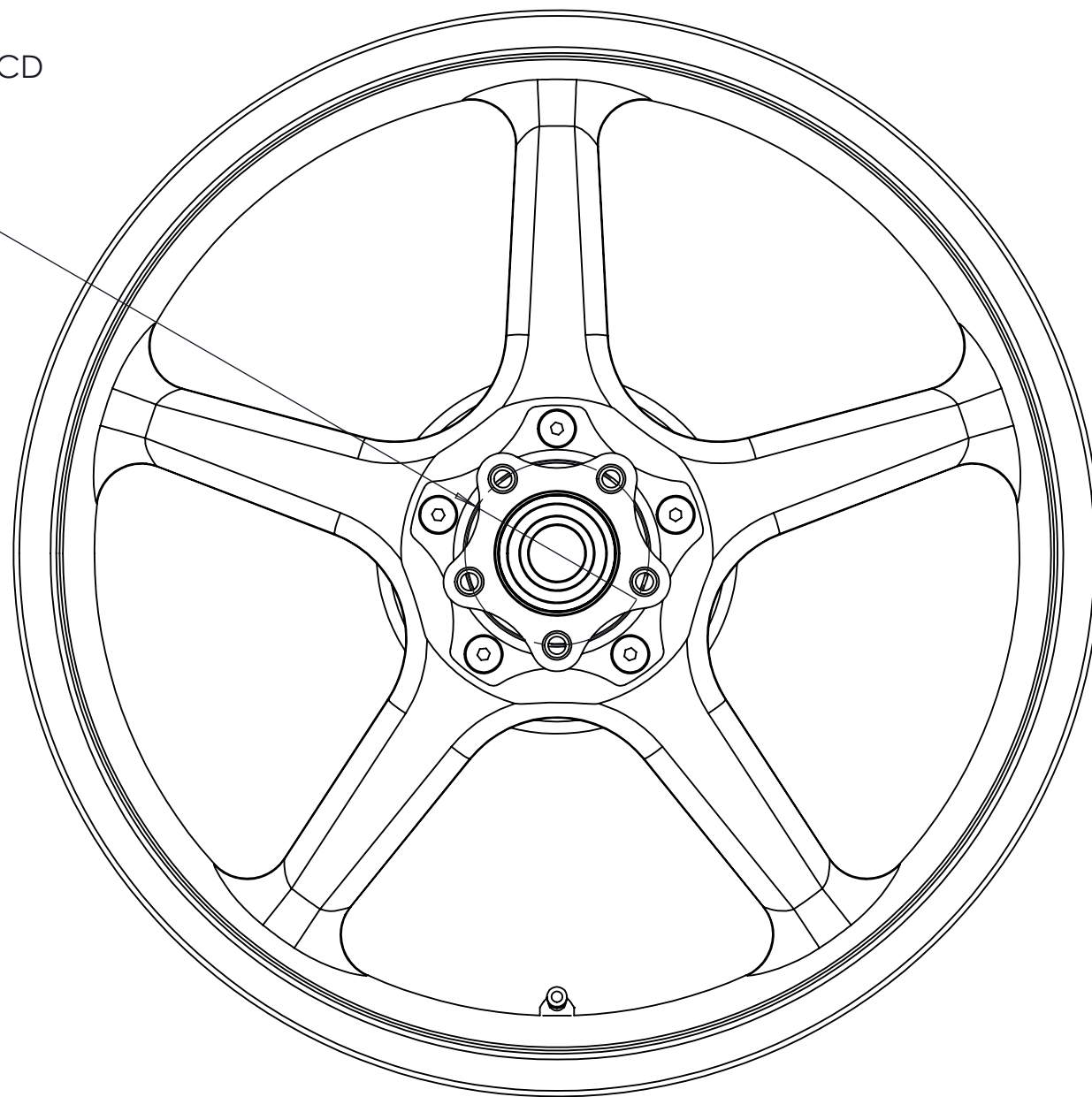
2

1

Brake Rotor Mtg Screws
5x 3/8-16 threads

Brake Rotor Mtg BCD
82.63 mm
3.25 in

Ø82.63



Specs - W10-5500 - Twin TEK Rear:

- SIZE : 18.0" x 5.5"
- BRAKE ROTOR BCD : 82.55 mm (3.25 in)
- WEIGHT : 11.60 lbs
- STATIC LOAD RATING : 900 lbs
- APPROVALS : DOT E and JWL for street and track use
- WARRANTY : 2 Years

INCH	THIRD ANGLE PROJECTION	DRAWN BY DA	DRAWN DATE 2024.04.25	RINEHART RACING
		ENG Approval	APPROVED DATE	
TOLERANCES UNLESS OTHERWISE SPECIFIED 1 PLACE DECIMAL X.X ± 0.030 2 PLACE DECIMALS X.XX ± 0.010 3 PLACE DECIMALS X.XXX ± 0.005 ANGLES ± .5° ALL DIMENSIONS ARE INCHES UNLESS OTHERWISE SPECIFIED INTERPRETATIONS OF THIS DRAWING PER ASME Y19.94M		MFG Approval	APPROVED DATE	DRAWING NUMBER WEBSITE DWG & SPECS - W10-5500 - HD Touring 2014-Later, TwinTEK, Rear 5.5x18
NOTICE: TO PERSONS RECEIVING THIS DRAWING AND/OR INFORMATION, RINEHART RACING CLAIMS PROPRIETARY RIGHTS TO THE MATERIAL DISCLOSED HEREIN. THIS DRAWING AND/OR TECHNICAL INFORMATION IS ISSUED IN CONFIDENCE FOR ENGINEERING INFORMATION ONLY AND MAY NOT BE REPRODUCED OR USED TO MANUFACTURE ANYTHING SHOWN OR REFERED TO HEREIN WITHOUT DIRECT WRITTEN PERMISSION FROM RINEHART RACING TO THE USER. THIS DRAWING AND/OR TECHNICAL INFORMATION IS THE PROPERTY OF RINEHART RACING AND IS LOANED FOR MUTUAL ASSISTANCE, TO BE RETURNED WHEN ITS PURPOSE HAS BEEN SERVED.		MATERIAL carbon fiber & aluminum	FINISH	REFER TO PART TABLE FOR DETAIL
DO NOT SCALE	SCALE	SIZE B	DRAWING RELEASE STATUS website	SHEET 1 OF 1

6

5

4

3

2

1