

SANUS[®]

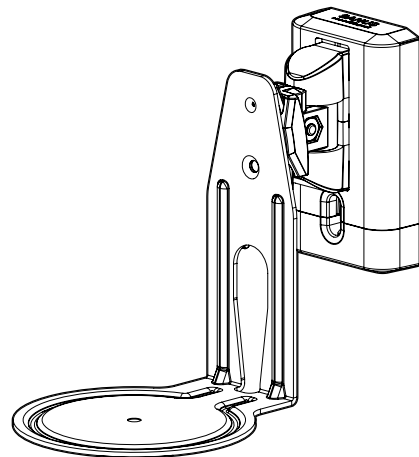
A brand of **legrand**

WSWME11 and WSWME12

Tilt & Swivel Speaker Wall Mount

For SONOS[®] Era 100™

INSTRUCTION MANUAL



We'll Make It Stress-Free

If you have any questions along the way, just give us a call.

US: +1 (800) 359-5520 • **EMEA:** +31 (0) 495 580 852 • **UK:** +44 (0) 800 056 2853

We're ready to help!

Texto en español, página 20

Deutscher Text Seiten 24

Svensk text sida 28

中文文字说明请参见第 32 页

Texte français page 22

Nederlandse tekst op pagina 26

Русский текст: стр. 30

日本語は 34 ページ

IMPORTANT SAFETY INSTRUCTIONS

— PLEASE READ ENTIRE MANUAL PRIOR TO USE — SAVE THESE INSTRUCTIONS

Before getting started, let's make sure this product is perfect for you!

This mount is designed to support only Sonos® Era 100™ speakers.

⚠ CAUTION: Avoid potential personal injuries and property damage!

- Check your speaker owner's manual to see if there are any special requirements for mounting your speaker.
- Please read through these instructions completely to be sure you're comfortable with this easy install process.
- Do not use this product for any purpose not explicitly specified by manufacturer.
- Manufacturer is not responsible for damage or injury caused by incorrect assembly or use.
- The wall must be capable of supporting five times the weight of the speaker and mount combined.
- If you do not understand these instructions or have doubts about the safety of the installation, assembly or use of this product, contact Customer Service at +1 (800) 359-5520 (EMEA: +31 (0) 495 580 852; UK: +44 (0) 800 056 2853).

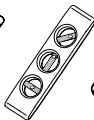
Speaker Weight Limit
DO NOT EXCEED



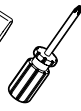
Tools Needed



Pencil



Level



Screwdriver



Electric Drill

Wood Stud Install



Stud Finder



Awl



1/8 in.
(3 mm)
Wood
Drill Bit

Concrete Install



Hammer



1/4 in.
(6.5 mm)
Masonry
Drill Bit

Drywall Install



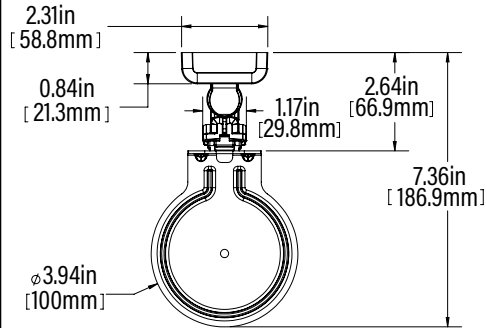
Hammer



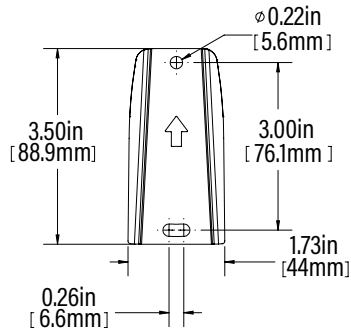
1/4 in.
(6.5 mm)
Drill Bit

Dimensions

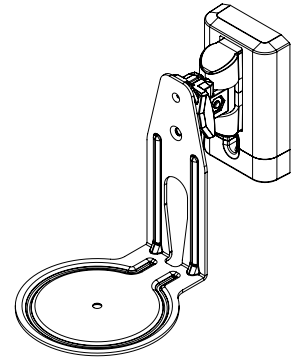
TOP VIEW



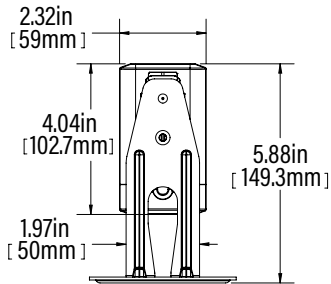
WALL PLATE



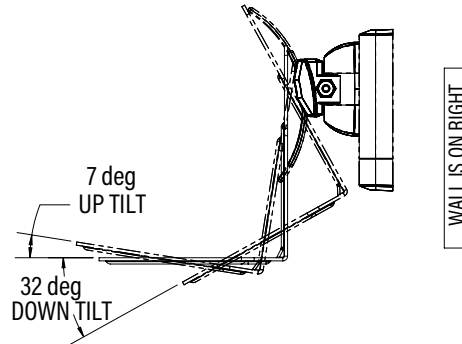
3-D



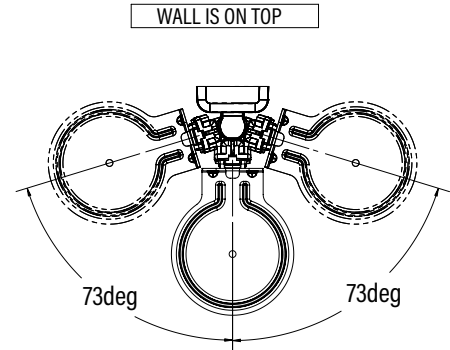
FRONT VIEW



SIDE VIEW - TILT



TOP VIEW - SWIVEL



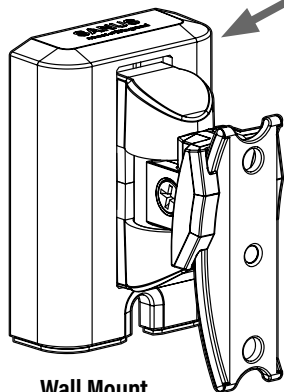
Supplied Parts and Hardware

⚠ WARNING: This product contains small items that could be a choking hazard if swallowed.

Before starting assembly, verify all parts are included and undamaged. If any parts are missing or damaged, do not return the damaged item to your dealer; contact Customer Service. Never use damaged parts!

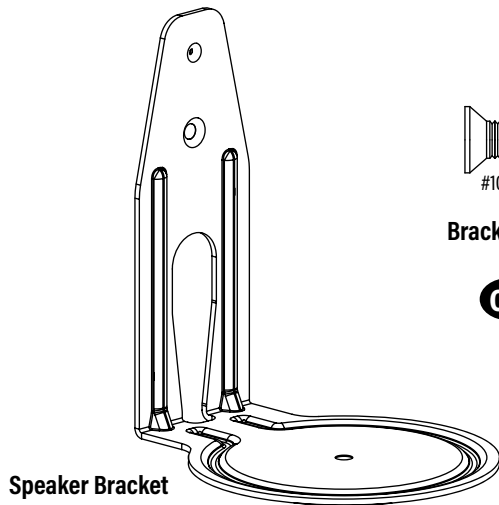
Quantities shown are for one speaker mount.

STEP 1



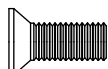
Wall Mount

01 x1



Speaker Bracket

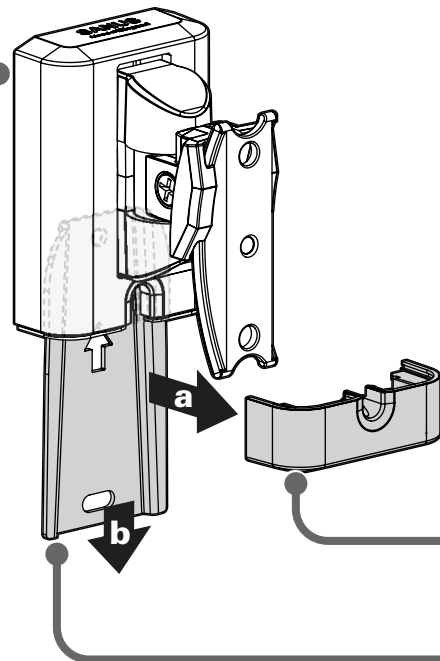
02 x1



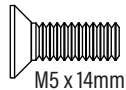
#10-24 x 1/2 in.

Bracket Assembly
Screw

03 x1



STEP 2

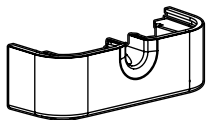


M5 x 14mm

Speaker Screw

04 x1

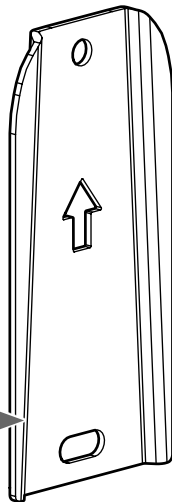
STEP 4



Wall Cap

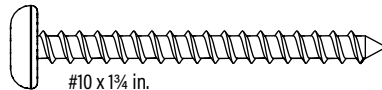
08 x1

STEP 3



Wall Plate

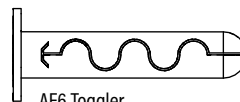
05 x1



#10 x 1 1/4 in.

Wall Plate Screw

06 x2



AF6 Toggler

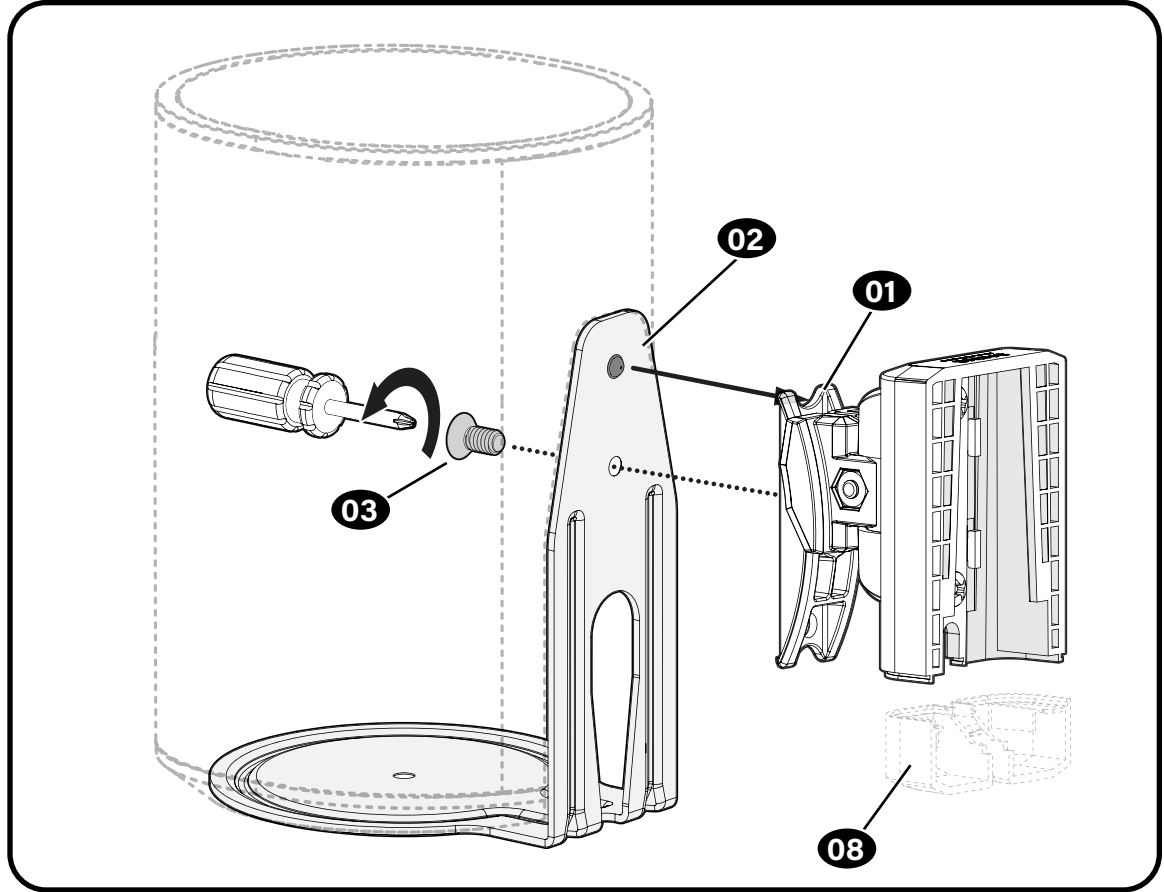
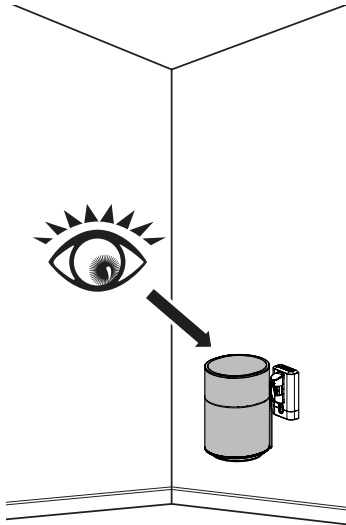
Drywall / Concrete Anchor

07 x2

STEP 1

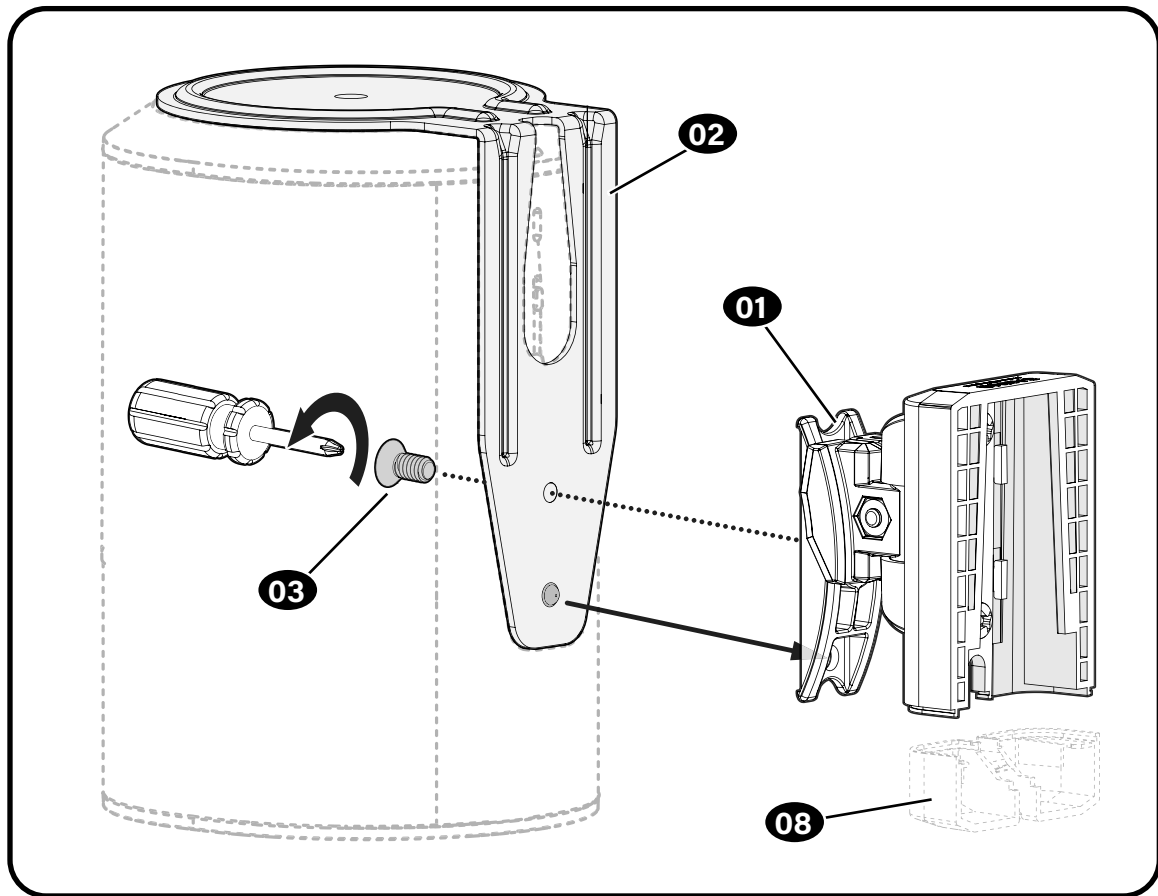
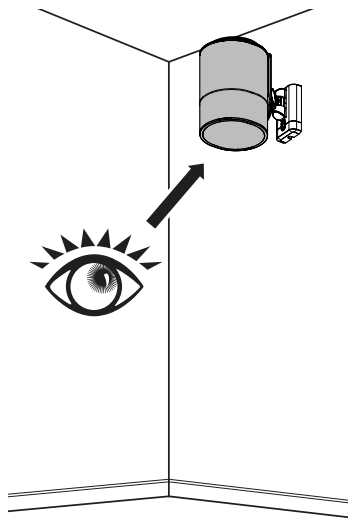
Assemble Brackets

BELOW
Eye Level
Installation



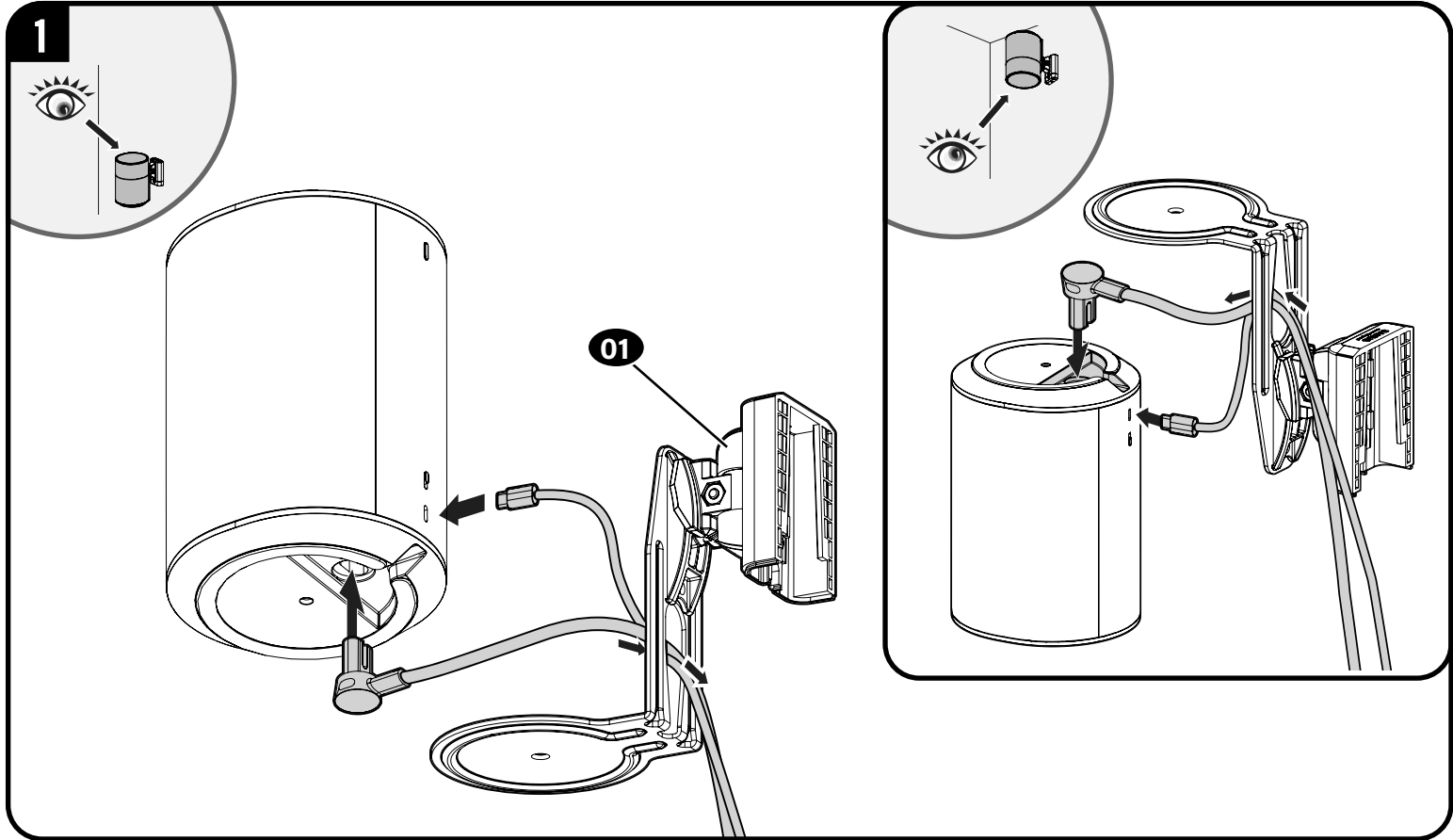
ABOVE Eye Level Installation

(Speaker Upside Down)

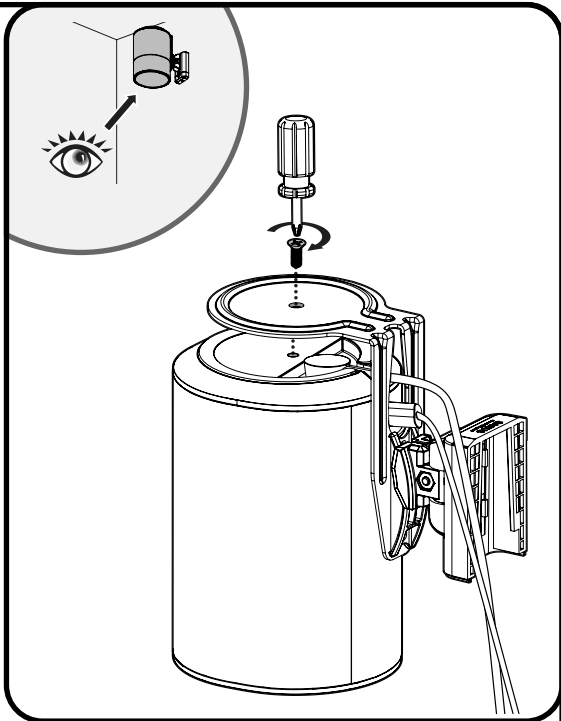
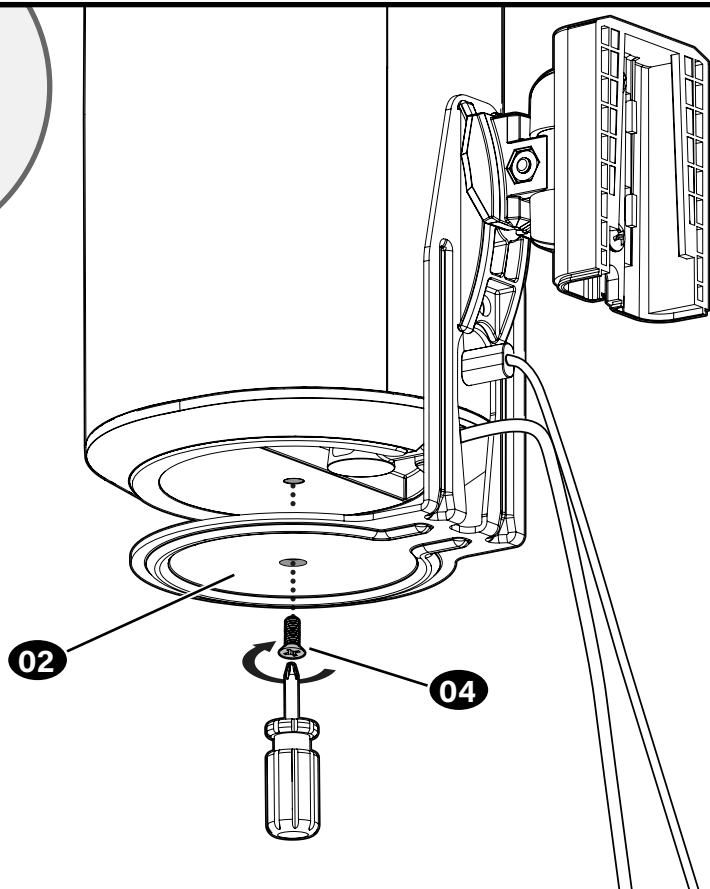
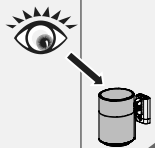


STEP 2

Attach Speaker to Bracket

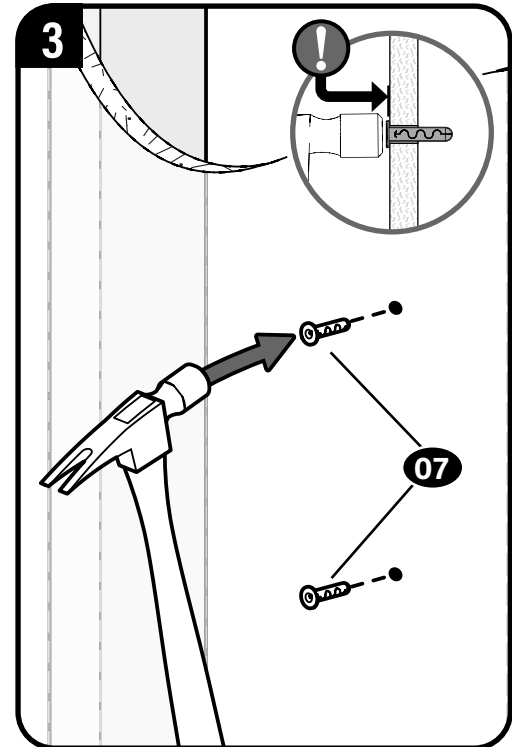
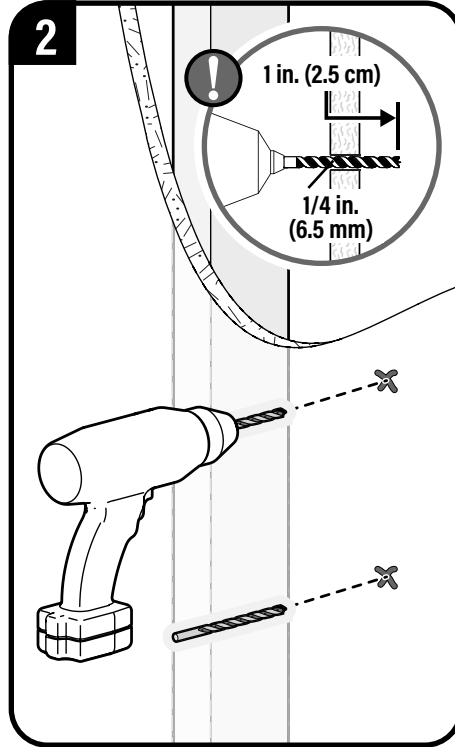
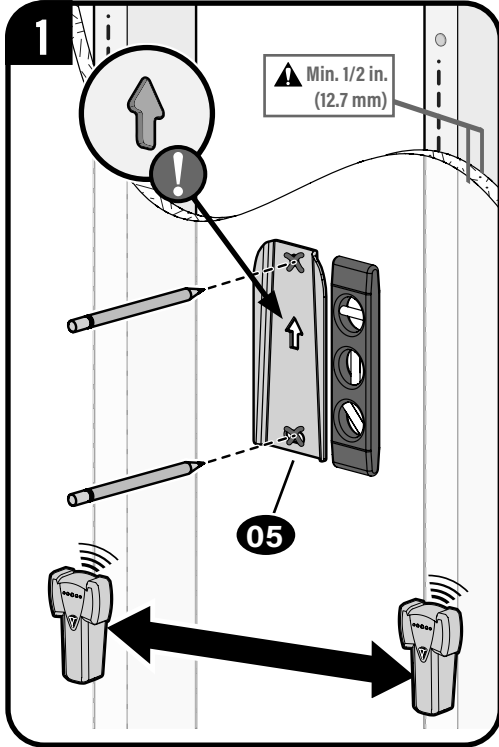


2



CAUTION: Avoid potential personal injury or property damage!

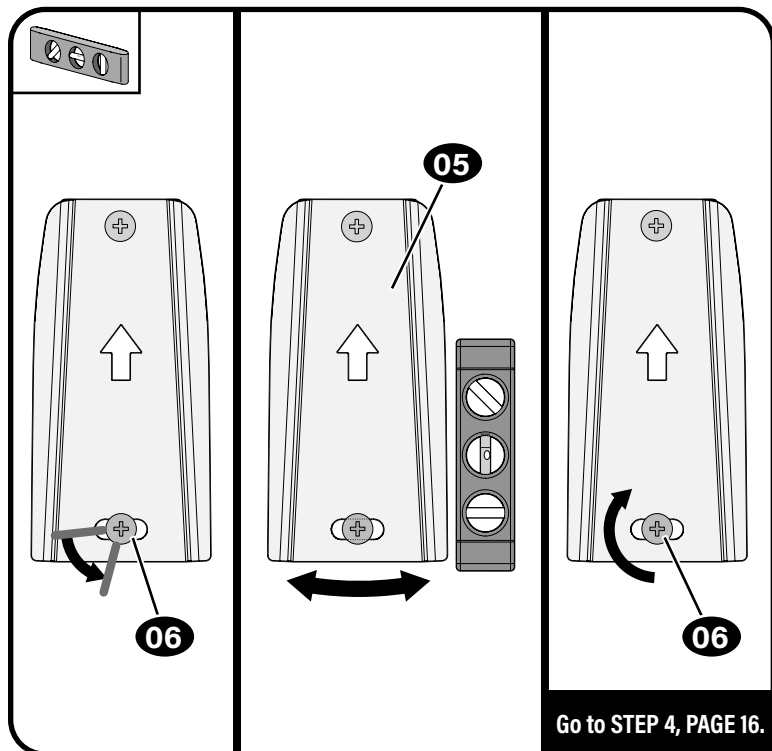
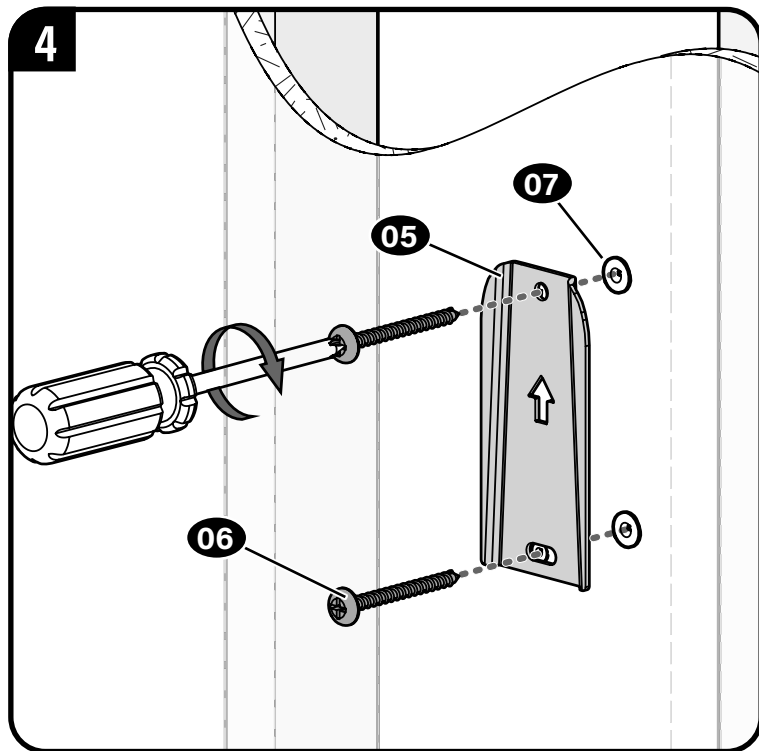
- Drywall covering the wall, must not be less than 1/2 in. (12.7 mm)



⚠ CAUTION: Avoid potential personal injury or property damage!

DO NOT use power tools for this step.

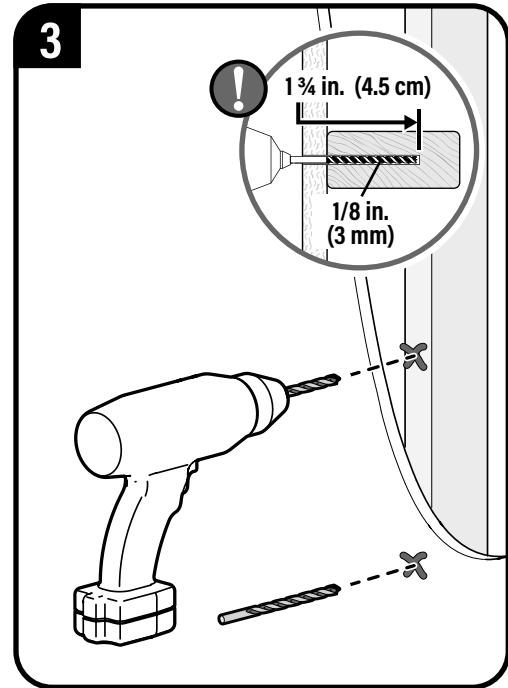
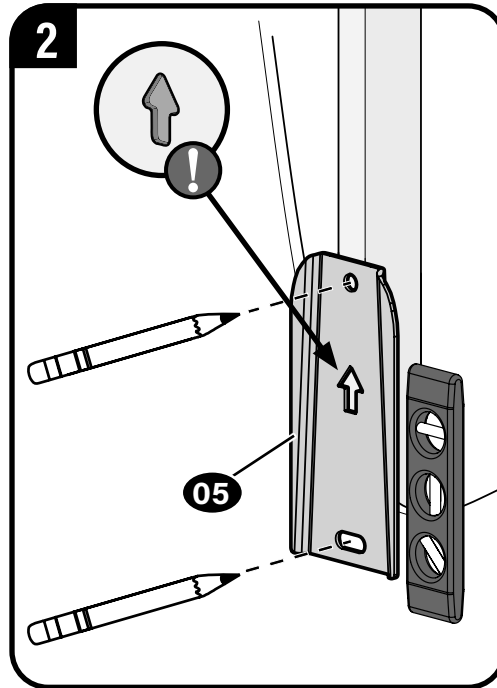
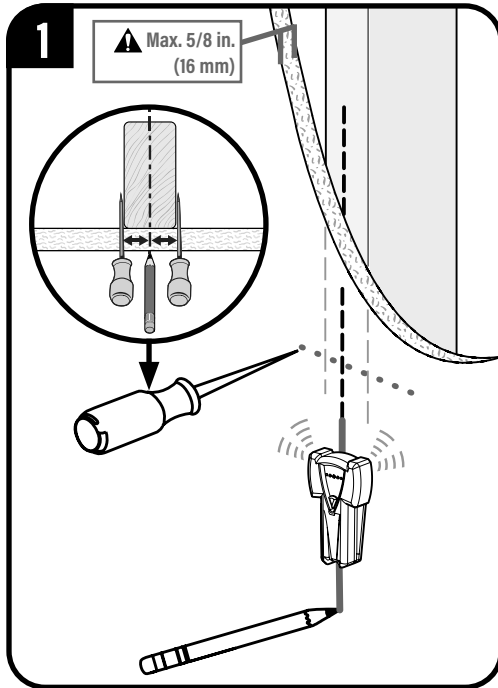
Both screws **06** MUST BE firmly tightened to prevent unwanted movement of the wall plate **05**. Ensure the wall plate is securely fastened to the wall before continuing on to the next step, but DO NOT overtighten the screws.



Go to STEP 4, PAGE 16.

⚠ CAUTION: Avoid potential personal injury or property damage!

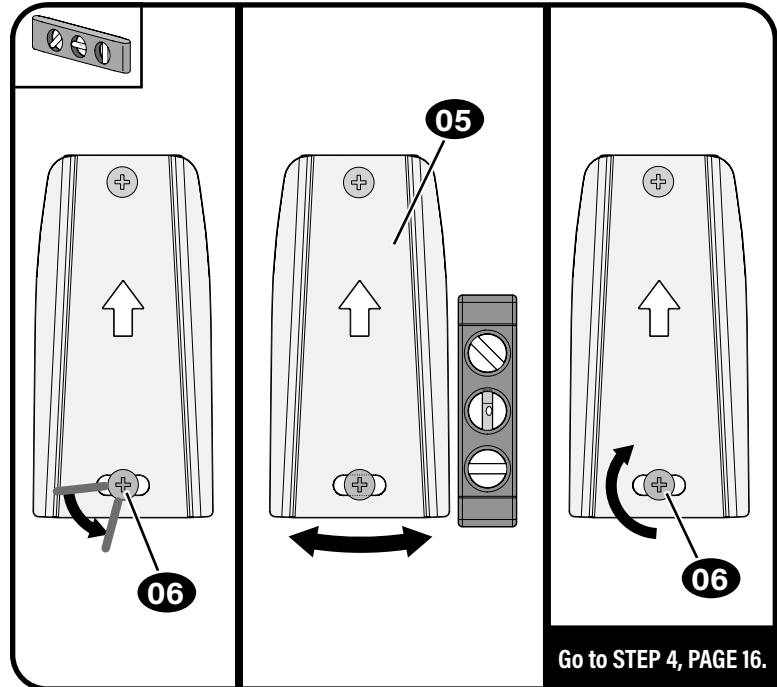
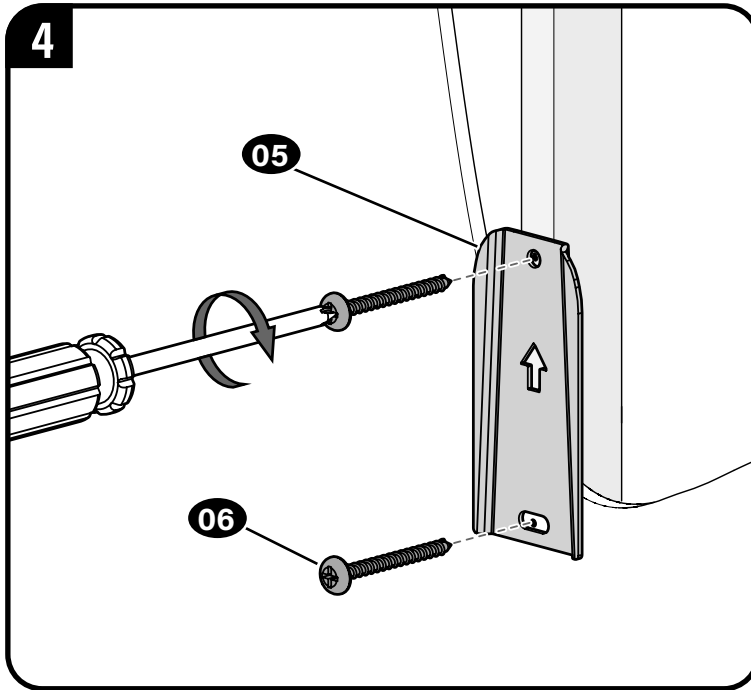
- Drywall covering the wall, must not exceed 5/8 in. (16 mm)
- Minimum wood stud size: nominal 2 x 4 in. (51 x 102 mm) actual 1½ x 3½ in. (38 x 89 mm)
- Stud center must be verified



⚠ CAUTION: Avoid potential personal injury or property damage!

DO NOT use power tools for this step.

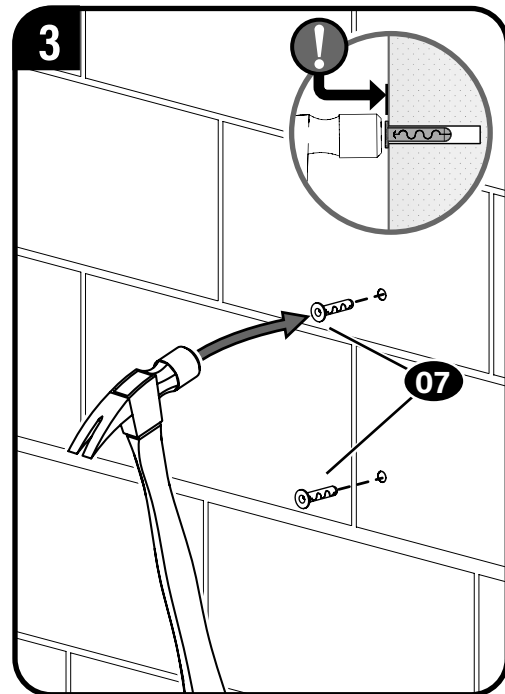
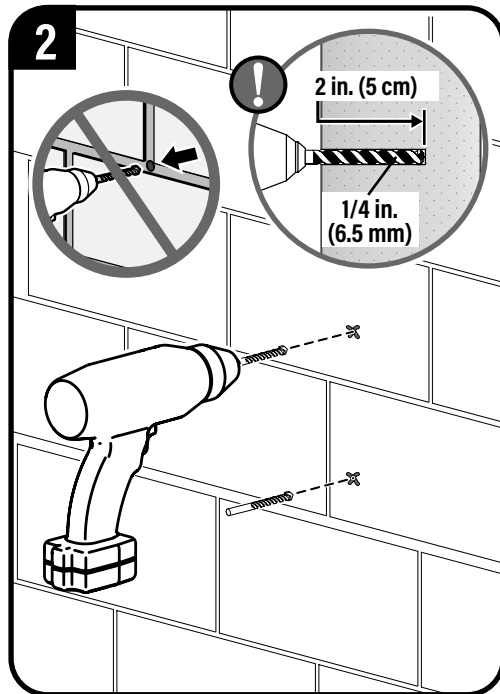
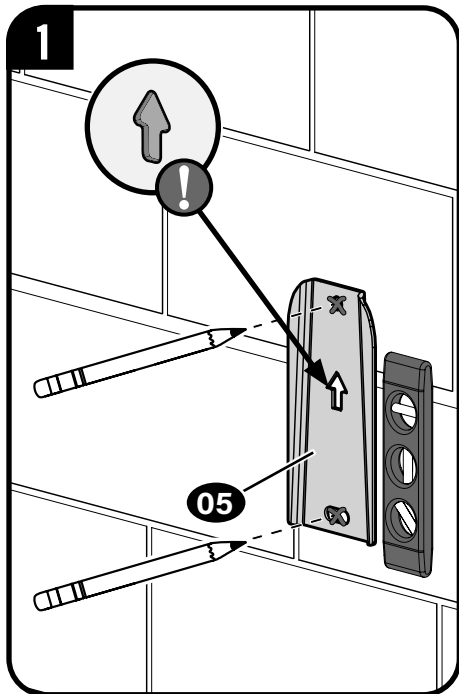
Both screws **06** MUST BE firmly tightened to prevent unwanted movement of the wall plate **05**. Ensure the wall plate is securely fastened to the wall before continuing on to the next step, but DO NOT overtighten the screws.



Go to STEP 4, PAGE 16.

CAUTION: Avoid potential personal injury or property damage!

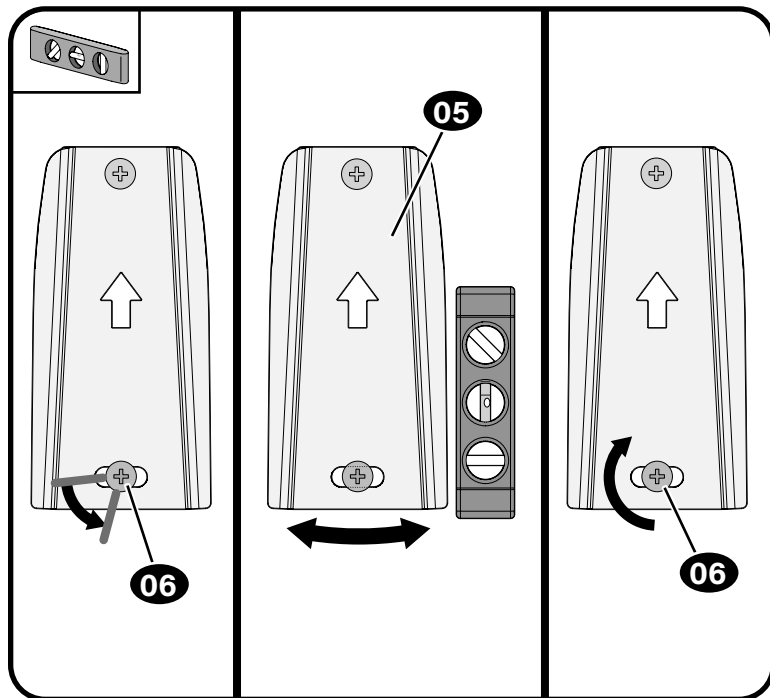
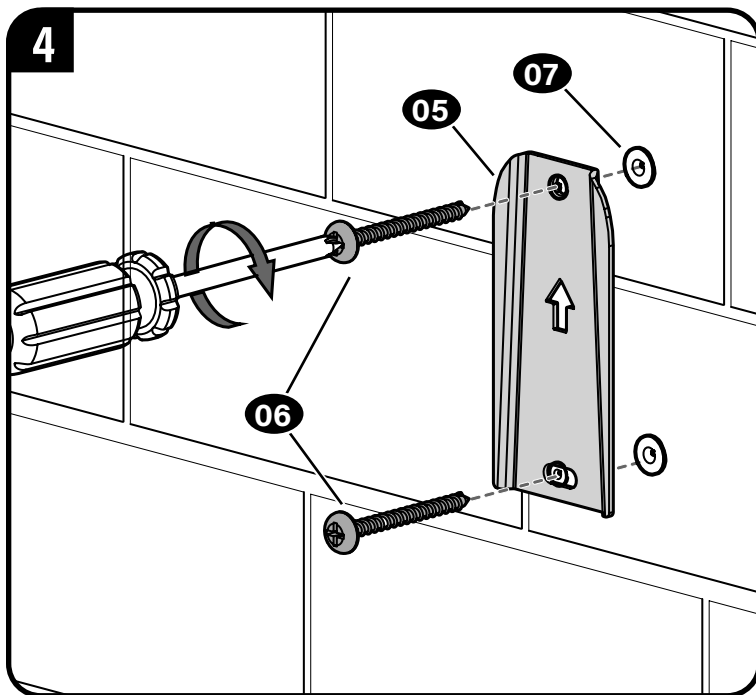
- Mount the wall plate **05** directly onto the concrete surface (no wall covering)
- Minimum **solid concrete** thickness: 8 in. (203 mm)
- Minimum **concrete block** size: 8 x 8 x 16 in. (203 x 203 x 406 mm)



⚠ CAUTION: Avoid potential personal injury or property damage!

DO NOT use power tools for this step.

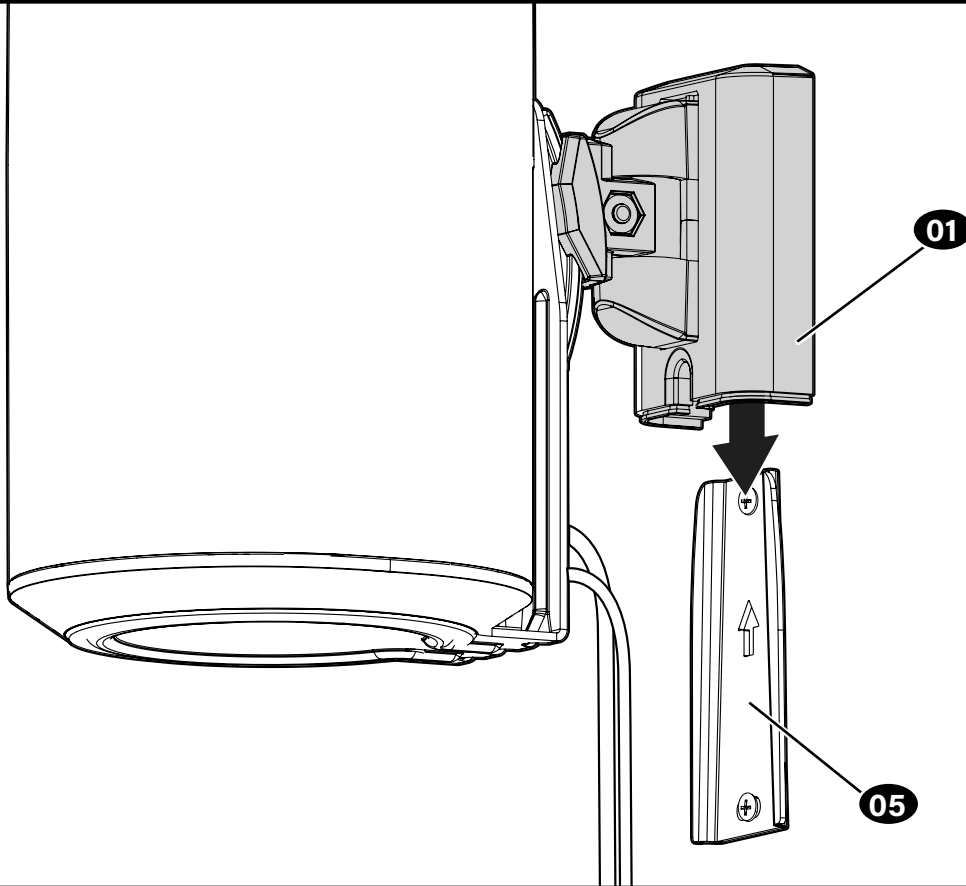
Both screws **06** MUST BE firmly tightened to prevent unwanted movement of the wall plate **05**. Ensure the wall plate is securely fastened to the wall before continuing on to the next step, but DO NOT overtighten the screws.



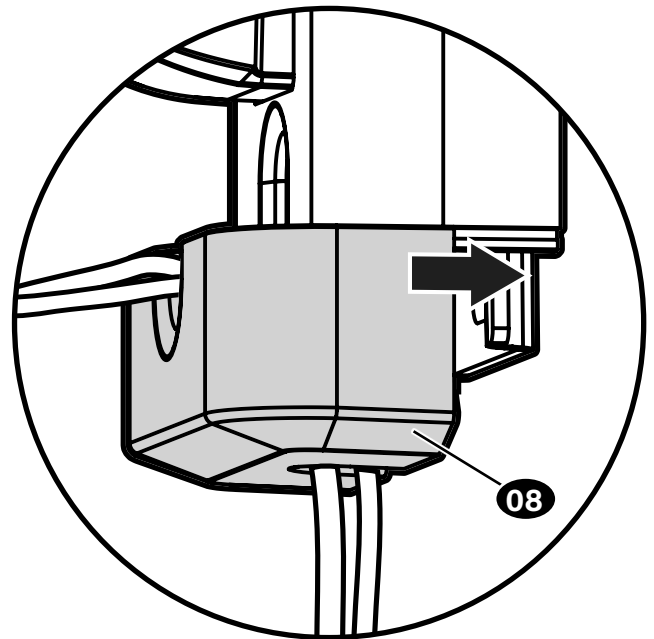
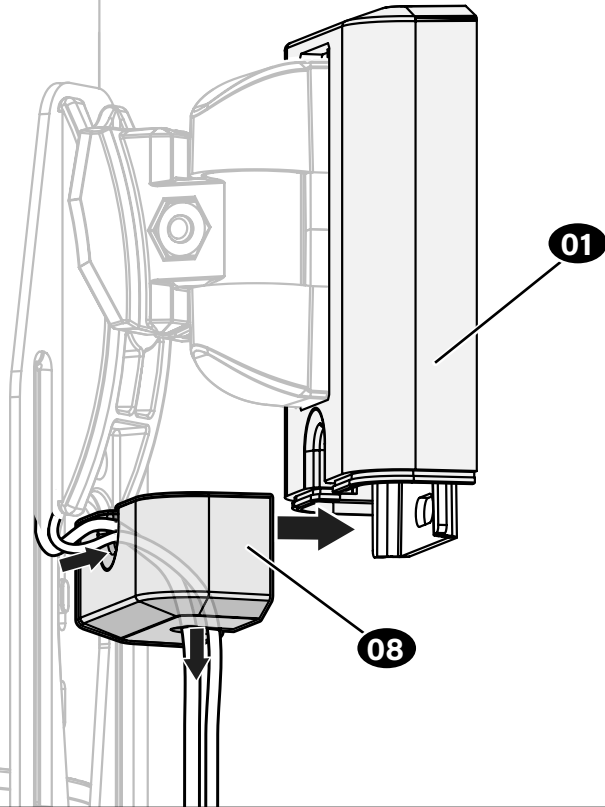
STEP 4

Mount Assembly to Wall Plate

1

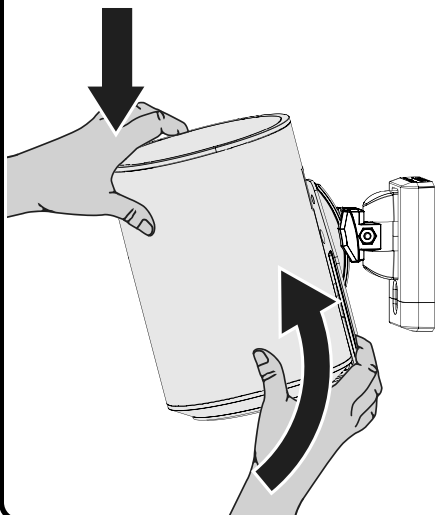
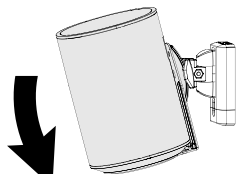


2

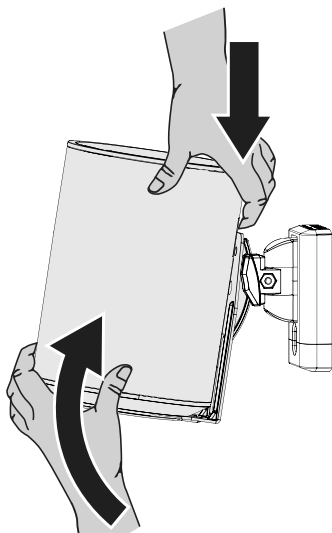
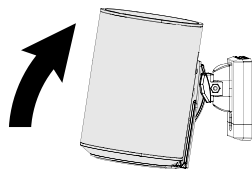


Adjustments

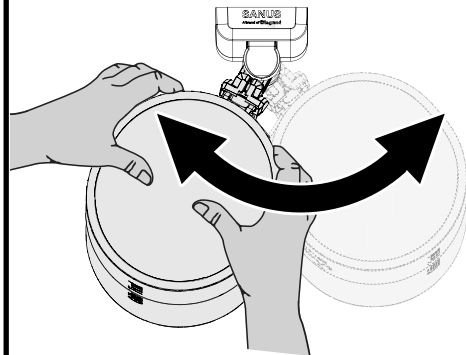
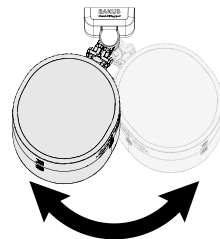
TILT DOWN



TILT UP

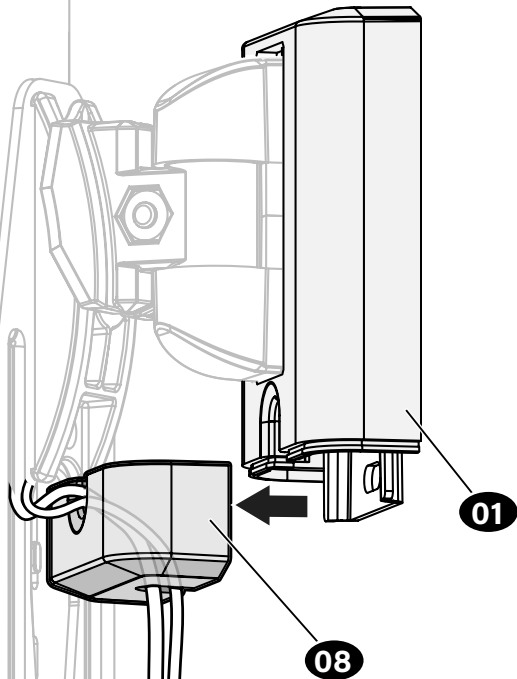


SIDE TO SIDE

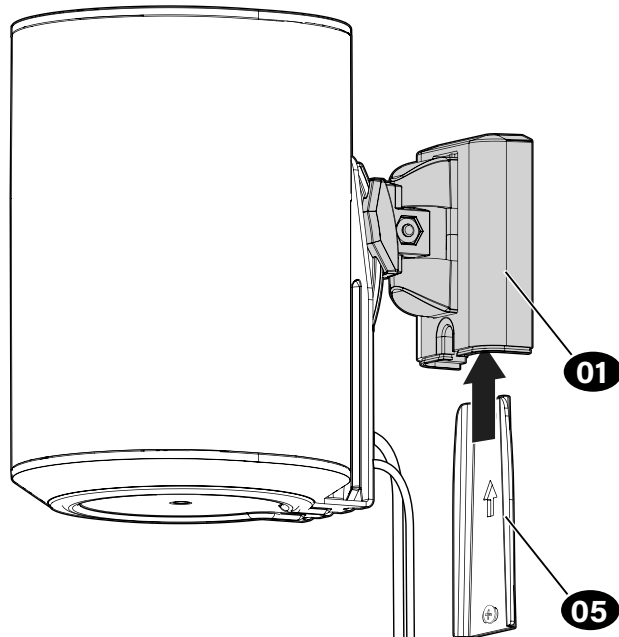


To Remove

1



2



SANUS®

A brand of **Legrand**

Thank you for choosing SANUS! Please take a moment to let us know how we did:

Legrand AV Inc.

6436 City West Parkway
Eden Prairie, MN 55344 USA

US: +1 (800) 359-5520

Legrand AV Netherlands B.V.

Franklinstraat 14
6003 DK Weert Netherlands

UK: +44 (0) 800 056 2853

EMEA: +31 (0) 495 580 852

Authorized Representative for the UK

Starline Holding Technology Ltd.
Unit C Island Road
Reading RG2 0RP UK

Legrand AV Inc. and its affiliated corporations and subsidiaries (collectively, "Legrand"), intend to make this manual accurate and complete. However, Legrand AV makes no claim that the information contained herein covers all details, conditions, or variations. Nor does it provide for every possible contingency in connection with the installation or use of this product. The information contained in this document is subject to change without notice or obligation of any kind. Legrand AV makes no representation of warranty, expressed or implied, regarding the information contained herein. Legrand AV assumes no responsibility for accuracy, completeness or sufficiency of the information contained in this document.

©2023 Legrand AV Inc. All rights reserved. SANUS is a brand of Legrand.

All other brand names or marks are used for identification purposes and are trademarks of their respective owners.

Legrand AV Inc. • 6436 City West Parkway • Eden Prairie, MN 55344 USA

6901-603142 00