

# W Collection

## W6 OMPBSOC

Built-in Electric Oven



### TECHNICAL SPECIFICATIONS

MAIN COLOUR FINISH	Black Steel
CONSTRUCTION TYPE	Built-in
DIMENSIONS	W 595mm x H 595mm x D 564mm
CAPACITY	73L Usable
CONTROL PANEL	Electronic
FEATURES	6TH Sense technology 40 6th SENSE Cooking Combinations Pyrolytic cleaning system Electronic Temperature Control Cavity 73 L Cook4 Ready2Cook Defrost function Forced Air Fan Cooking Grill Easy Clean Enamel Interior Turbo grill function Maxi cooking Pastry function Pizza/Bread function Eco Forced Air Warm Keeping
ACCESSORIES SUPPLIED	2 x Wire grids, 2 x trays, 2 x telescopic rails
POWER	220 V-240 V, 50/60Hz, Aus plug, 16A
WEIGHT	40.5kg (net)
WARRANTY	Five years parts and labour

### FEATURES & BENEFITS



#### 6th Sense W6 W7

No more guesswork. Simply pick your recipes, and let 6th SENSE cook them to perfection, every time. Up to 40 cooking combinations organized to fit your lifestyle and diet, for a full assisted cooking experience.



#### READY2COOK

No pre-heating required. The Ready2Cook function uses a powerful convection system to quickly reach the right temperature, and completely eliminate the need for pre-heating.



#### COOK 4

The Cook4 function provides a unique level of flexibility that enables consumers to cook up to four dishes at the same time without mixing any of the flavours or aromas.



#### SOFT CLOSING

Slow-motion closing. Thanks to slow-closing hinges, the oven door shuts effortlessly, with a soft and silent motion.



#### SLIDING CONTROL

Smooth motion. This Whirlpool oven features soft-sliding shelves, for increased ease of use.



#### PYROLYTIC TECHNOLOGY

Spotless cleaning at the touch of a button. Pyrolytic technology uses a high-temperature cycle to burn food residues into ashes, which can then be easily wiped away with a sponge. Heat-reflecting glass panels in the oven door ensure that the external temperature stays low, for added safety.

DISTRIBUTED BY ARISIT PTY LTD  
40-50 Mark Anthony Drive,  
Dandenong South VIC 3175  
Ph: 1300 762 219  
Fax: 03 9768 0838  
Website: www.arisit.com

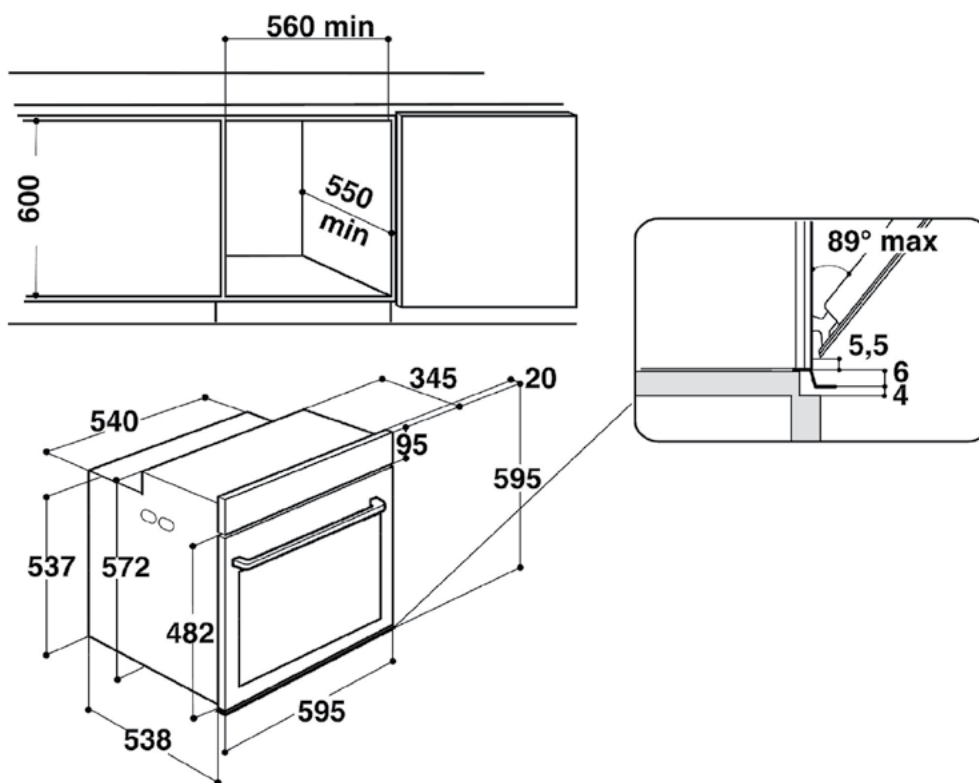
1A Howe Street,  
Newton, Auckland NZ 1145  
Ph: (09) 306 1020  
Website: www.arisit.com

W Collection

# W6 OMPSOC

Built-in Electric Oven

Whirlpool®



12/2021

DISTRIBUTED BY ARISIT PTY LTD  
40-50 Mark Anthony Drive,  
Dandenong South VIC 3175  
Ph: 1300 762 219  
Fax: 03 9768 0838  
Website: [www.arisit.com](http://www.arisit.com)

1A Howe Street,  
Newton, Auckland NZ 1145  
Ph: (09) 306 1020  
Website: [www.arisit.com](http://www.arisit.com)