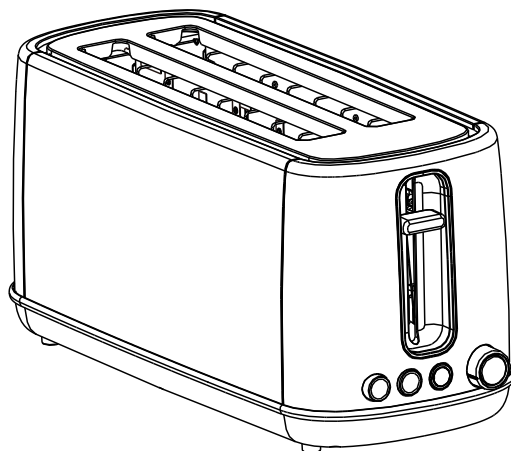


Trent & Steele Instruction Manual

TS3227



220-240V 50-60Hz 1300-1550W

INSTRUCTION FOR USE

**PLEASE RETAIN THESE INSTRUCTIONS FOR
FUTURE REFERENCE.**

IMPORTANT INSTRUCTIONS

1. Please read these instructions before operating and retain for future reference.
2. This appliance is not intended for use by persons (including children) with reduced physical, sensory or mental capabilities, or lack of experience and knowledge, unless they have been given supervision or instruction concerning use of the appliance by a person responsible for their safety.
3. Children should be supervised to ensure that they do not play with the appliance.
4. If the supply cord is damaged, it must be replaced by the manufacturer, its service agent or similarly qualified persons in order to avoid a hazard.
5. The bread may burn, therefore do not use the toaster near or below combustible material, such as curtains.
6. The appliances are not intended to be operated by means of an external timer or separate remote-control system.
7. Regarding the instructions for cleaning surfaces

in contact with food, thanks to refer to the section “Care and Cleaning”.

8. This appliance is intended to be used in household and similar applications such as :
 - staff kitchen areas in shops, offices and other working environments;
 - farm houses;
 - by clients in hotels, motels and other residential type environments;
 - bed and breakfast type environments.
9. To protect against electrical hazard do not immerse any part of the appliance or cord in water or any other liquid.
10. Close supervision is necessary when the appliance is near children.
11. Do not leave the appliance unattended when in use.
12. Always use the appliance on a dry, level surface.
13. Do not use this appliance outdoors.
14. Always unplug from the plug socket when not in use and before cleaning.
15. Do not operate the appliance if damaged, after

an appliance malfunctions or it has been damaged in any manner, return to the customer service department for repair, because special purpose tools are required.

16. In the interest of safety, regular periodic close checks should be carried out on the supply cord to ensure no damage is evident. Should there be any signs that the cord is damaged in the slightest degree, the entire appliance should be returned to the customer service department.
17. Do not let the cord hang over the edge of a table or counter or touch hot surfaces. Allow the unit to cool before wrapping the cord around base for storage.
18. Care must be taken , not to touch any hot surfaces, do not store or cover the appliance until it has fully cooled down.
19. Do not place this appliance on or near a hot gas or electric burner, in or where it could touch a heated oven, or a microwave oven.
20. Do not use harsh abrasives, caustic cleaners or oven cleaners when cleaning this appliance.
21. When using this appliance, allow adequate air

space above and on all sides for air circulation. Do not allow this appliance to touch curtains, wall coverings, clothing, dishtowels or other flammable materials during use. CAUTION is required on surfaces where heat may cause a problem - an insulated heat pad is recommended.

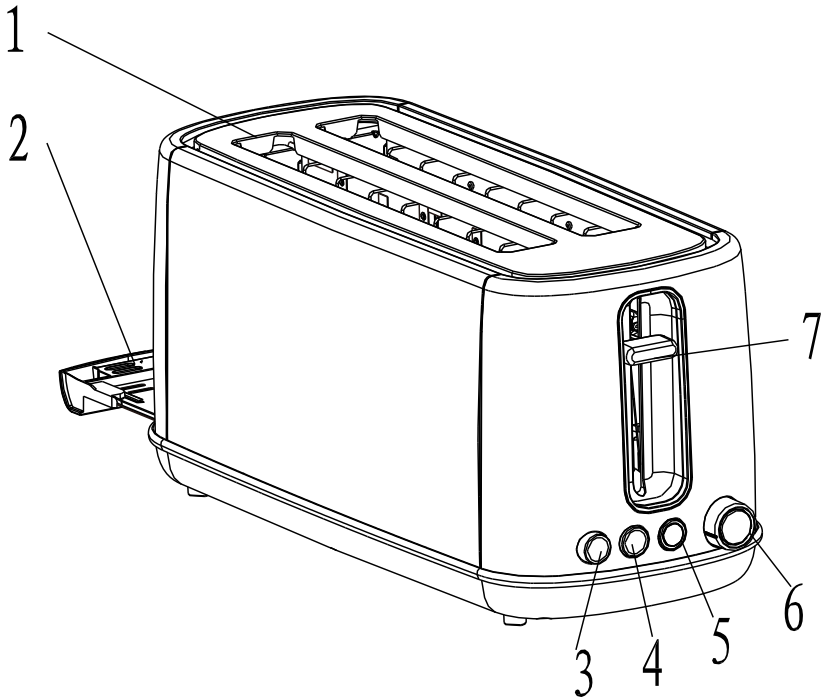
22. Do not use the toaster without the crumb tray in place. The crumb tray should be cleaned regularly. Do not allow crumbs to build up in the tray.
23. Do not use this appliance with any foodstuff product containing sugar content or with products containing jam or preserves.
24. The temperature of accessible surfaces may be high when the appliance is operating.

WARNING!!

Never attempt to extract jammed toast, muffins, bagels or any other item with a knife or any other object, as contact with live elements may cause electrocution.

Allow the appliance to cool down, unplug and carefully remove the bread.

FEATURES OF TOASTER



1. Variable width toasting slots
2. Pull out crumb tray.
3. Cancel button
4. Frozen button
5. Reheat button
6. Electronic variable browning control
7. Carriage control lever

OPERATING TOASTER

Before first use of the product, put the toaster in a properly ventilated room and select the highest browning setting as below. Let the toaster complete a few toasting cycles without bread in it. This burns off any dust and prevents unpleasant smells.

1. Insert the plug into a suitable mains supply socket.
2. Place up to four slices of bread, muffins, or bagels into bread slots.
3. Select the desired browning setting, from No.1 to No.6 on the browning control knob.(No.1-lightest, No.6-darkest).
When using the toaster for the first time we suggest you toast on number 3. Varying types of bread and personal preference may require a different browning setting.
4. Press the carriage control lever down until it clicks into place. Toasting cycle will automatically commence. Please note: if the toaster is not plugged in and switched on at the power point the carriage control lever will not click into place.
5. The toaster turns off when the desired toast color is achieved and automatically raises the toast. The toasting process can be stopped at any time by pressing the cancel button.

TOASTING FROZEN BREAD: To toast frozen bread, place the bread into the bread slots and select the desired browning setting. Press the carriage control lever down until it clicks into place then press the frozen button.

REHEATING TOAST: The toaster allows you to reheat toast without additional toasting. To reheat, place toast into bread slots, lower the carriage control lever until it clicks into place and press the reheat button.

In the unlikely event that the bread or crumpet becomes jammed, switch the toaster off at the power outlet, remove the plug from the supply socket and carefully ease the bread out of the toaster, ensuring that you do not damage the element.

CARE AND CLEANING

1. Always turn the power off, remove the plug and allow the toaster to cool before cleaning.
2. To remove any crumbs from the toaster, slide out the crumb tray from under the toaster, empty and replace in the toaster before using it again.
3. Wipe the outside of the toaster with a slightly dampened cloth and polish with a soft dry cloth.
4. Do not immerse the unit in water.
5. To clean the interior, turn the toaster upside down over the sink and shake crumbs free.

The crumb tray should be cleaned regularly. Do not allow breadcrumbs to accumulate in the bottom of the toaster.

TRENT & STEELE

**Mark Anthony Drive
Dandong South 3175
Melbourne Vic**