

trent&steele

INSTRUCTION MANUAL



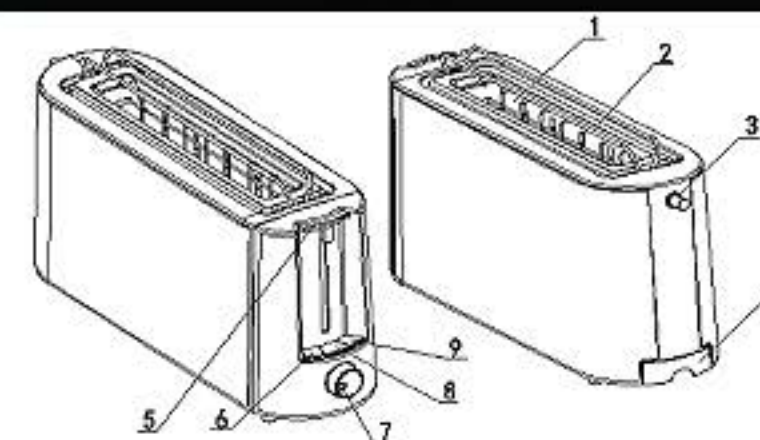
Toaster
Model TS319SS

IMPORTANT SAFETY REMINDERS

- Read these instructions before operating. Keep this manual for future reference.
 - This appliance should be for domestic use only, as described in this users' guide. Please ensure that this manual is fully understood before using the appliance.
 - This appliance is not intended for use by persons (including children) with reduced physical, sensory or mental capabilities, or lack of experience and knowledge, unless they have been given supervision or instruction concerning use of the appliance by a person responsible for their safety. Children should be supervised to ensure that they do not play with the appliance.
 - To ensure the continued safe and efficient operation of this appliance, we recommend that any servicing or repairs are only carried out by an authorised service agent.
 - The use of accessory attachments not recommended by the appliance manufacturer may cause injuries.
 - Do not leave the appliance unattended while in use.
 - Do not use outdoors.
 - To protect against electric shock, do not immerse cords, plugs or appliances in water or any other liquid.
 - This appliance is not intended to be operated by means of an external timer or separate remote-control system.
 - This appliance is for household use only; or in similar applications such as staff kitchen areas or residential type environments.
 - Always use on a dry, level surface. Unplug from socket when not in use or before cleaning.
 - Damage caused by noncompliance with these instructions or any other improper use or mishandling will forfeit the appliance's warranty.
- Before operating the machine...**
- Check that the mains voltage corresponds with the rating of the appliance.
 - Do not operate the appliance with a damaged cord or plug or after the appliance has been damaged in any manner.
 - Make sure that you position your toaster in an area far from curtains or any combustible material. This is to safeguard against fire.

- Do not insert metal objects or other utensils into the toaster as this might cause an electric shock or cause a fire.
- Never attempt to extract a jammed toast, muffin or any other item with a knife or any other object as contact with live elements may cause electrocution.
- Do not put any jam or the like on your bread before using this toaster.
- Do not place any object over the bread slots when the toaster is in operation.
- Care must be taken not to touch any hot surfaces. Do not store or cover until it has fully cooled down.
- Do not attempt to dislodge bread while the toaster is in operation.
- Before connecting the plug to the main outlet, make sure the toasting lever is in the 'UP' position.
- Allow adequate space above and on all sides for air circulation. Do not allow the toaster to touch curtains, clothing, dish towels or other flammable material during use.
- Do not use the toaster without the crumb tray in place. The crumb tray should be cleaned regularly.
- To disconnect, remove the plug from the outlet. Do not pull plug out by the cord.
- Do not place this appliance on or near an electric or gas burner or an oven.

PARTS



- | | | |
|----------------------|---------------------------|--------------------------|
| 1. Toasting slots | 4. Pull out crumb tray | 7. Browning control dial |
| 2. Bread rack | 5. Carriage control lever | 8. Cancel button |
| 3. Bread rack handle | 6. Reheat button | 9. Defrost button |

USING YOUR TOASTER

- Insert the plug into a suitable mains supply socket and turn the power on.
 - Place up to two slices of bread, muffins, or bagels into bread slots.
 - Select the desired browning setting, from No.1 to No. 6 on the browning control knob. (No.1-lightest, No.6-darkest).
- Note: When using the toaster for the first time we suggest you toast on number 3. (Varying types of bread and personal preference may require a different browning setting.)*
- Press the carriage control lever down until it clicks into place. Toasting cycle will automatically commence. Please note: if the toaster is not plugged in and switched on at the power point, the carriage control lever will not click into place.
 - The toaster turns off when the desired toast colour is achieved and automatically raises the toast. The toasting process can be stopped at any time by pressing the cancel button.
 - Use the bread rack to heat up rolls or other bread. Place the bread on the top of the rack. **Please note: Do not heat up more than 2 items at a time.** Select browning setting and press the carriage control lever down to switch on the toaster. Toasting cycle will commence and the toaster turns off when the desired toast colour is achieved automatically.

TOASTING FROZEN BREAD: To toast frozen bread, place the bread into the bread slots and select the desired browning setting. Press the carriage control lever down until it clicks into place then press the DEFROST button.

REHEATING TOAST: The toaster allows you to reheat toast without additional toasting. To reheat, place toast into bread slots, lower the carriage control lever until it clicks into place and press the REHEAT button.

***In the unlikely event that the bread or crumpet becomes jammed, switch the toaster off at the power outlet, remove the plug from the supply socket and carefully ease the bread out of the toaster, ensuring that you do not damage the element.

***Make sure to firmly push down the Bread Rack Handle before you place your bread.

CLEANING AND MAINTENANCE

Note: Always turn the power off, remove the plug and allow the toaster to cool before cleaning.

- To remove any crumbs from the toaster, slide out the crumb tray from under the toaster, empty and replace in the toaster before using it again.
- Wipe the outside of the toaster with a slightly dampened cloth and polish with a soft dry cloth.
- Do not immerse the unit in water.
- To clean the interior, turn the toaster upside down over the sink and shake crumbs free.

The crumb tray should be cleaned regularly. Do not allow breadcrumbs to accumulate in the bottom of the toaster.

Caution! Do not use any wire brush or other abrasive objects. Do not use any acidic or abrasive detergents.

Warning: Never immerse the device or the base in water or other liquids. This may result in electric shock or fire.