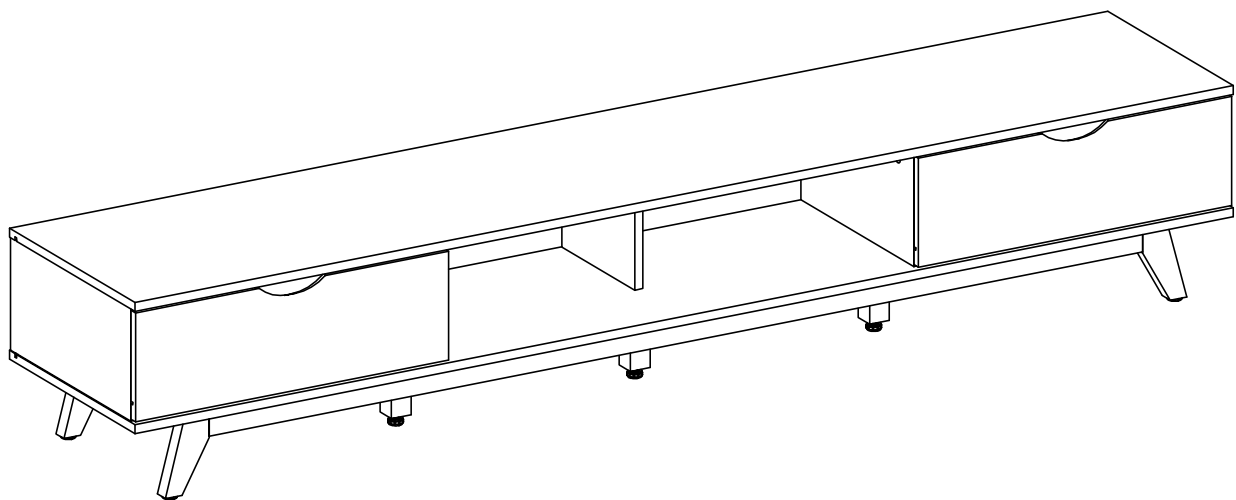




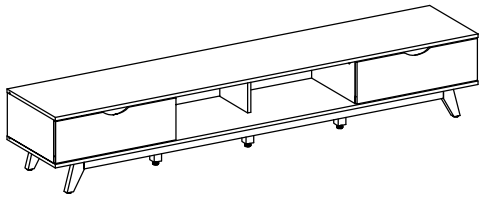
ASSEMBLY INSTRUCTIONS

SL2000WWS

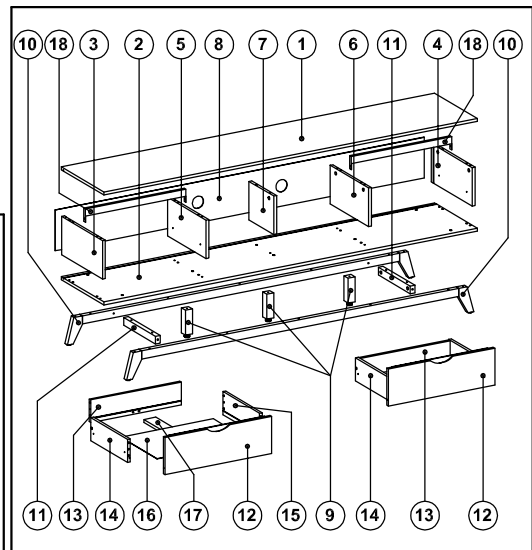
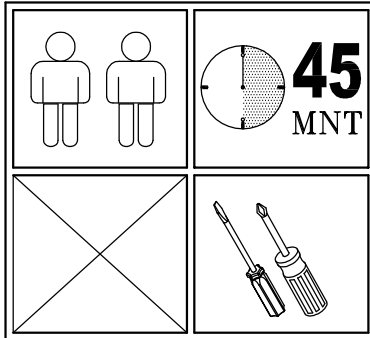


Thank you for choosing AVS SL2000WWS Furniture. Before beginning assembly, please check all parts are included and undamaged. For any assembly or parts enquiries, please contact Arisit Pty Ltd on 1300 762 219 or email to arisit@arisit.com

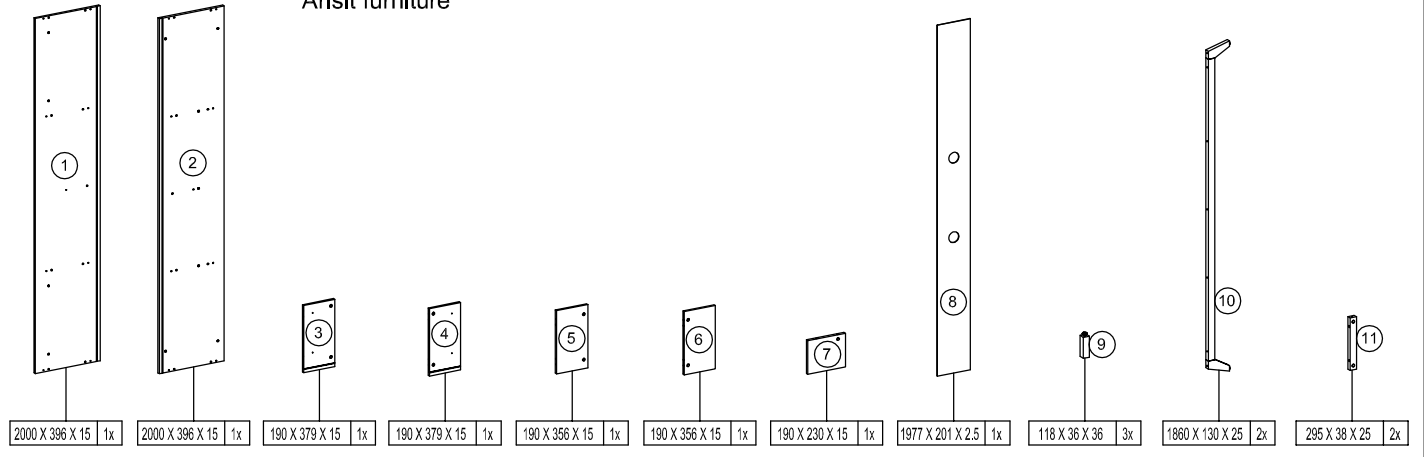
SL2000WWS



The cabinet top supports up to 60 kg (132 lbs.)

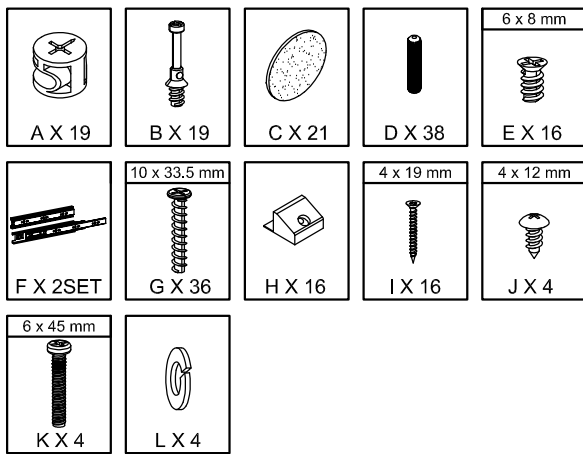
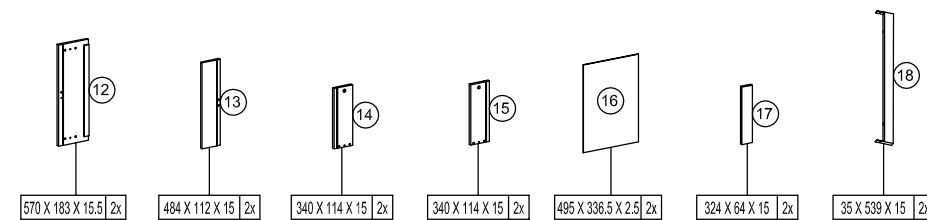


PRODUCT CARE: Care for your furniture by cleaning with glass cleaner and a disposable paper towel, do NOT use abrasive chemical products to clean your Arisit furniture



CAUTION: Do not use this product for any purpose not explicitly specified by Arisit. Improper installation may cause property damage or personal injury. If you do not understand these directions, or have doubts about the safety of the installation, contact Arisit Customer Service or call a qualified contractor. Arisit is not responsible for damage or injury caused by incorrect mounting, assembly, or use.

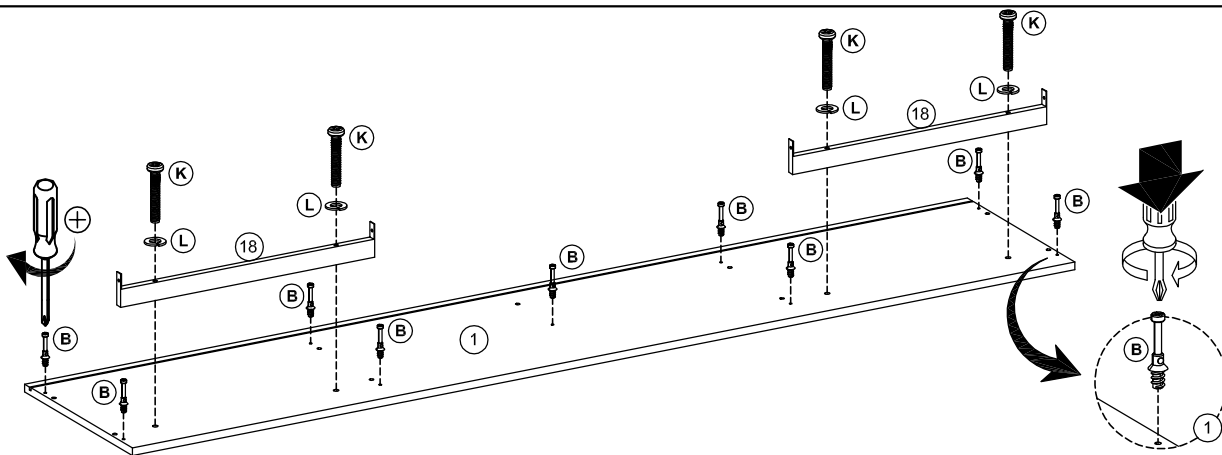
WARNING! This product contains small items that could be a choking hazard if swallowed. Keep these items away from young children!



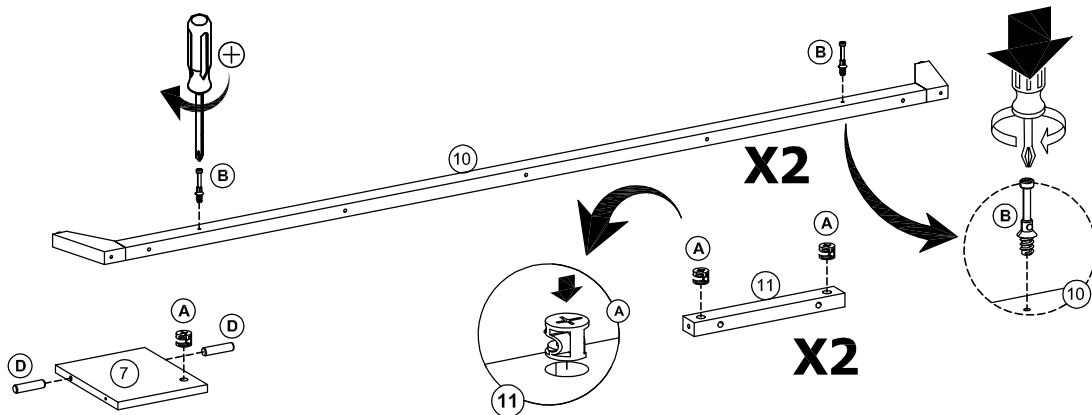
Arisit intends to make this manual accurate and complete. However, Arisit makes no claim that the information contained herein covers all details, conditions, or variations. Nor does it provide for every possible contingency in connection with the installation or use of this product. The information contained in this document is subject to change without notice or obligation of any kind. Arisit makes no representation of warranty, expressed or implied, regarding the information contained herein. Arisit assumes no responsibility for accuracy, completeness or sufficiency of the information contained in this document.

SL2000WWS

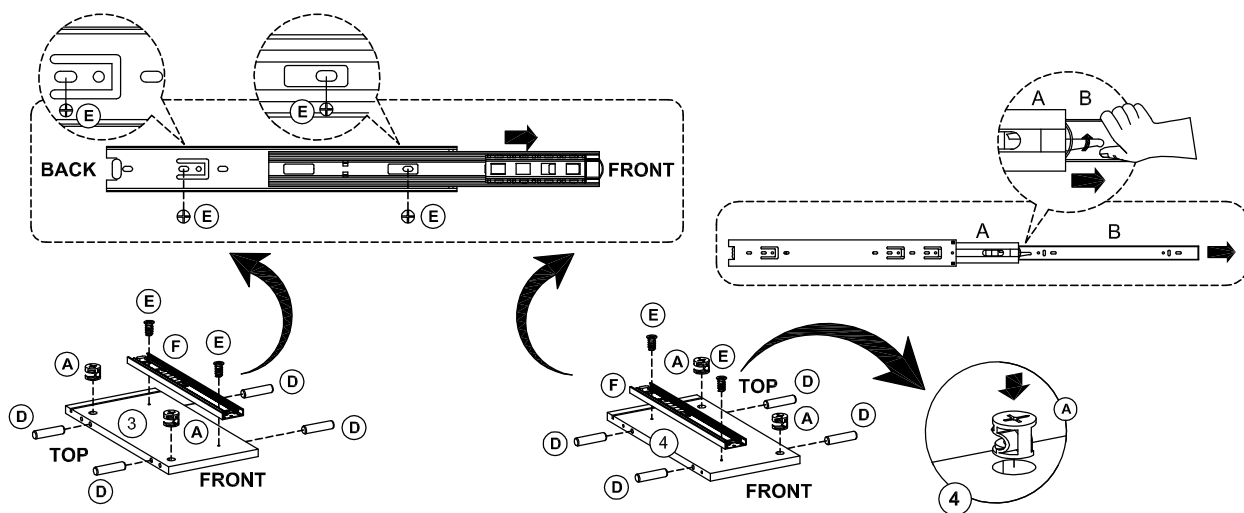
1



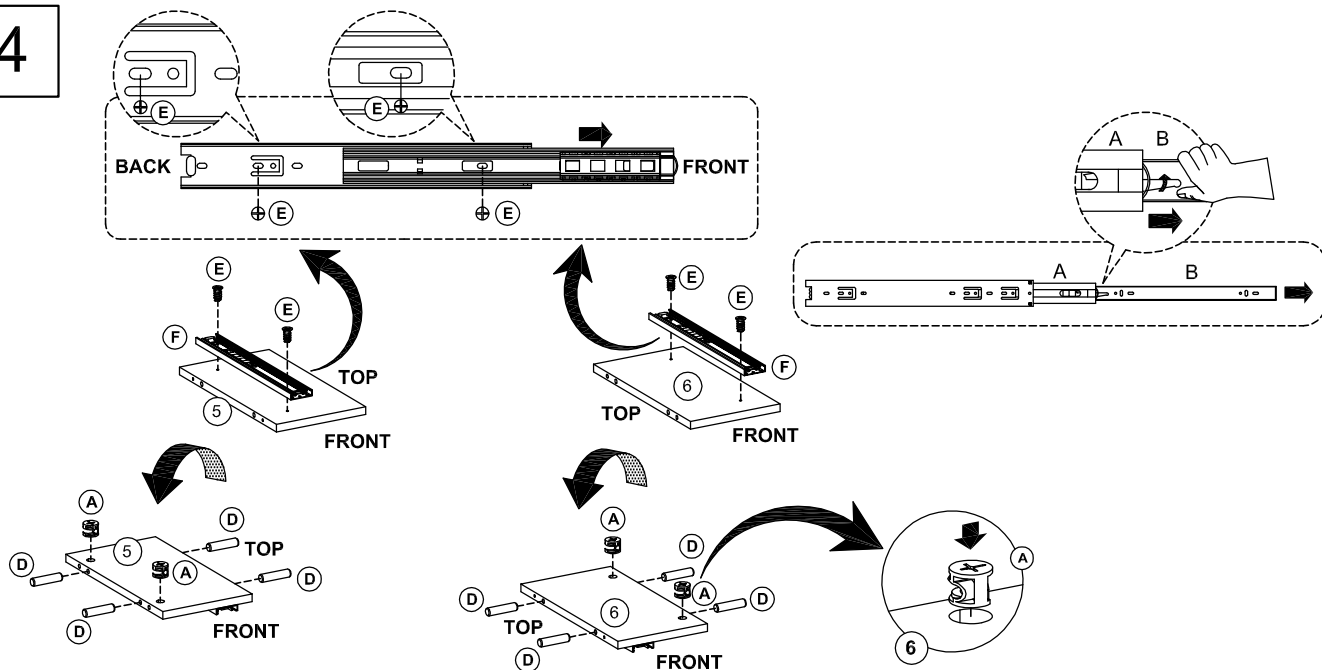
2



3

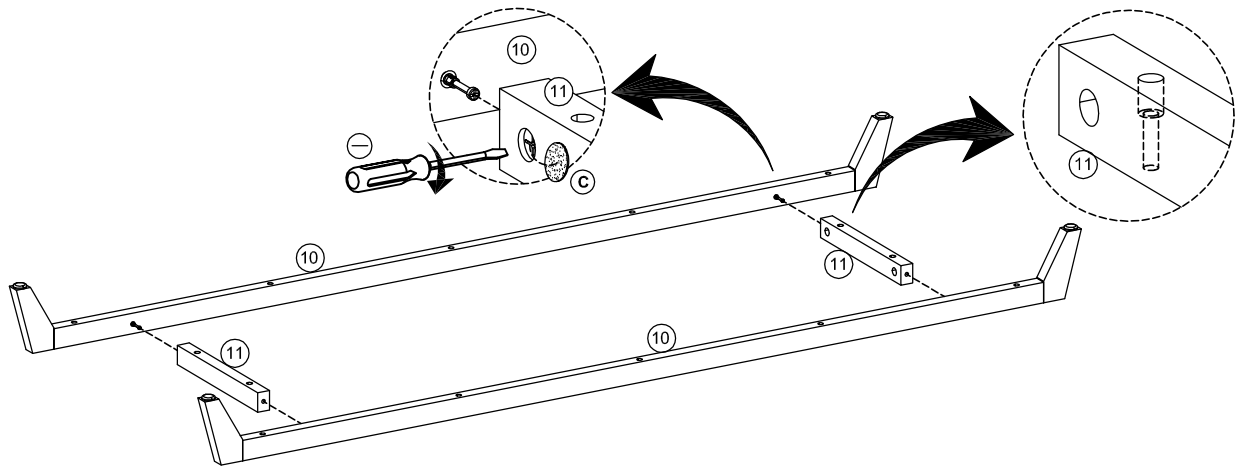


4

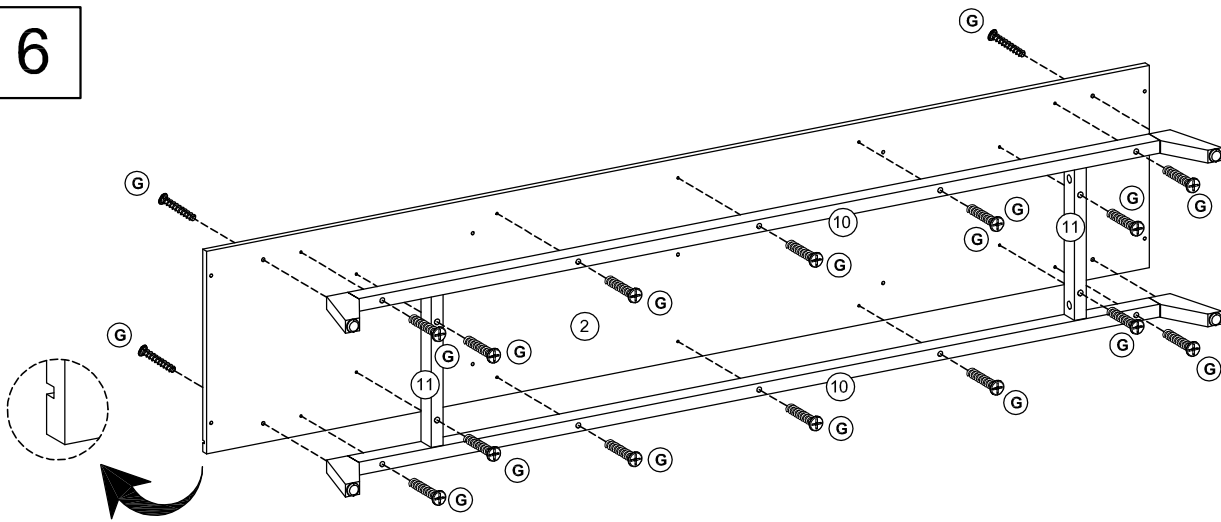


SL2000WWS

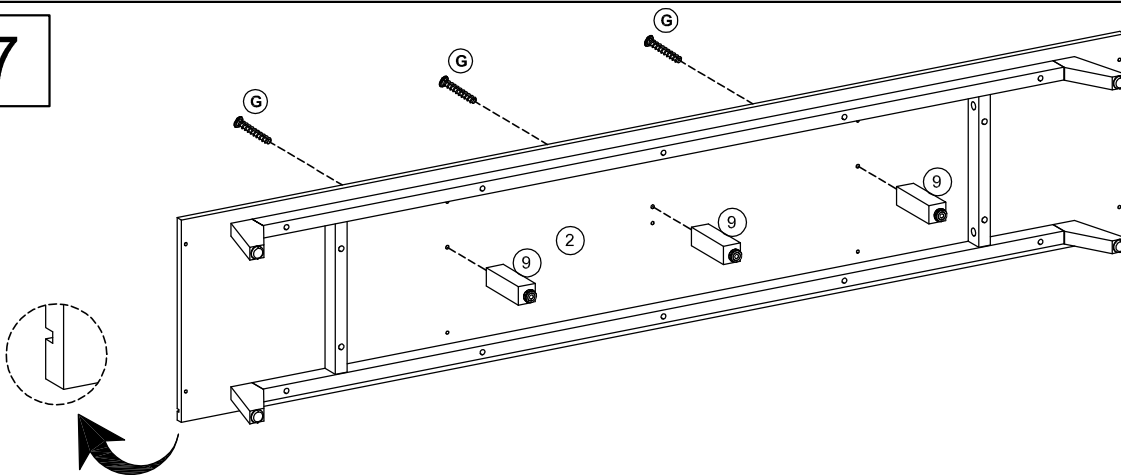
5



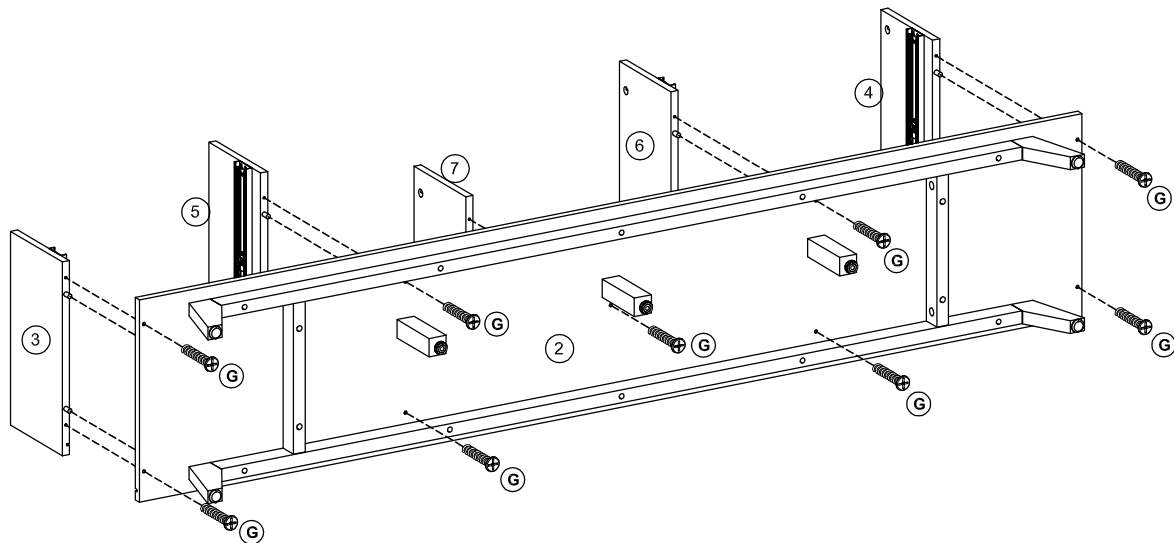
6



7

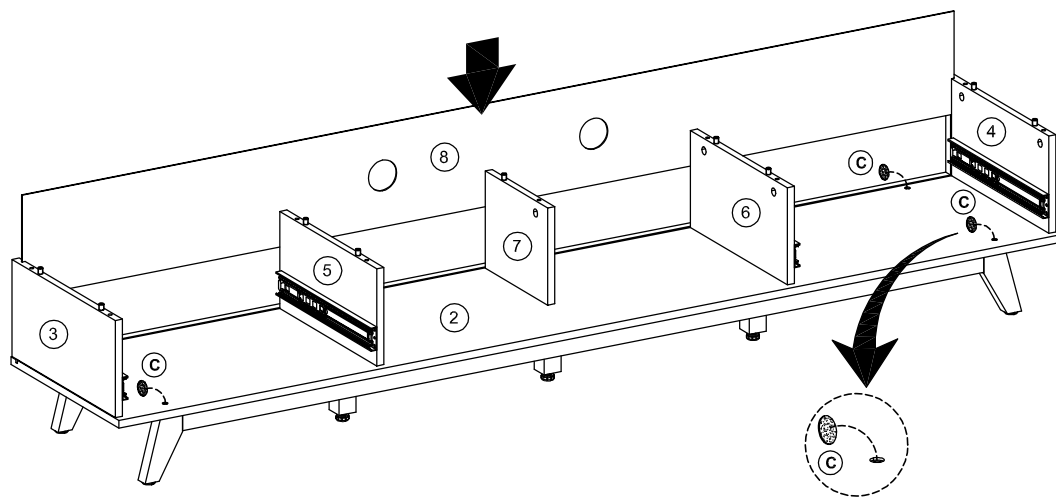


8

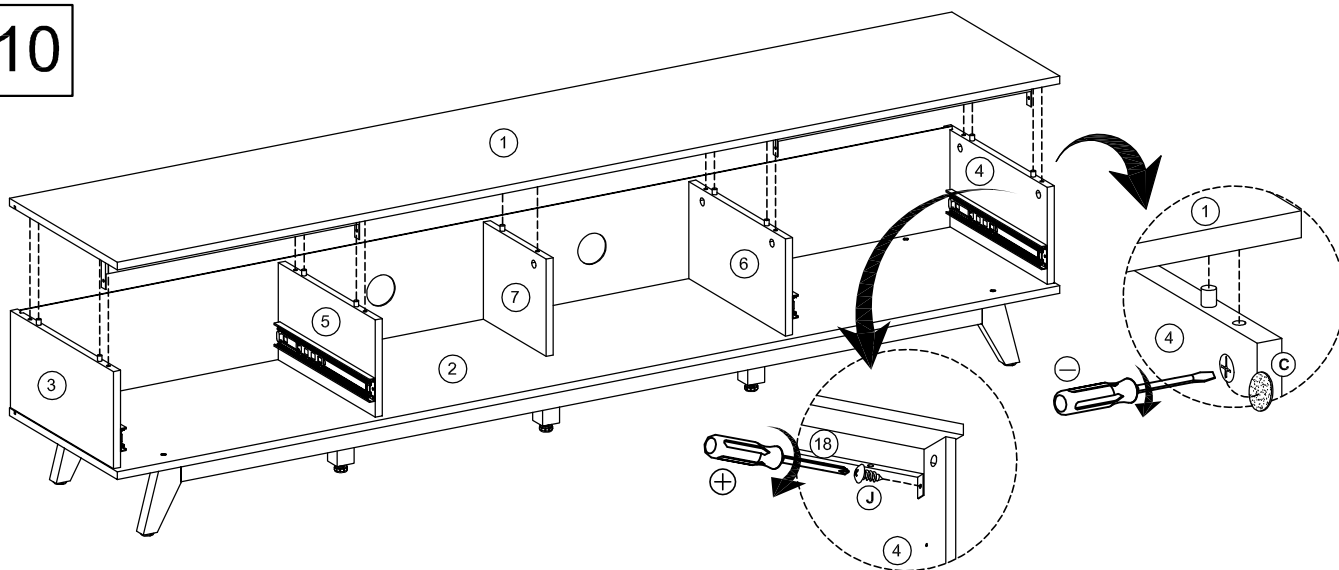


SL2000WWS

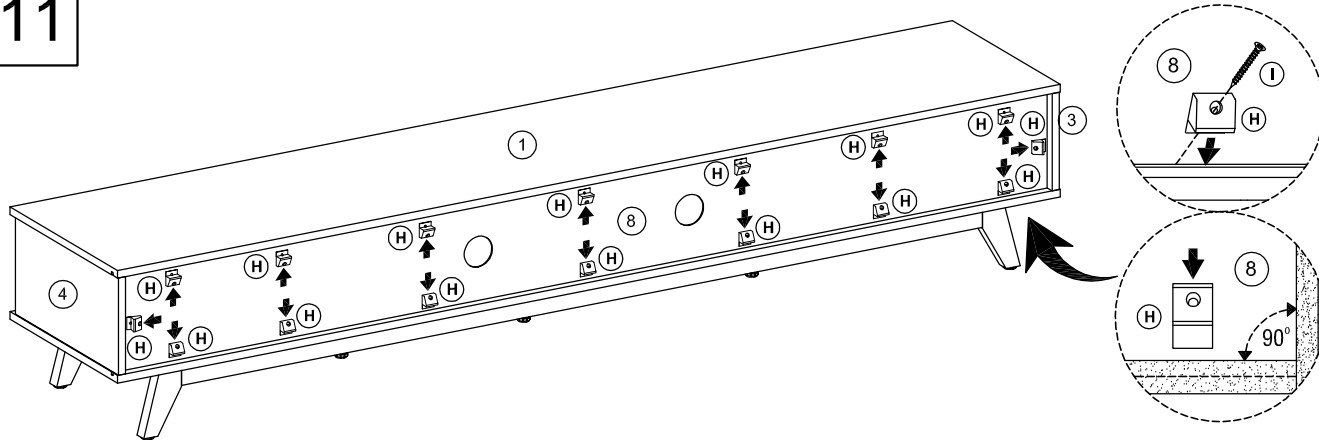
9



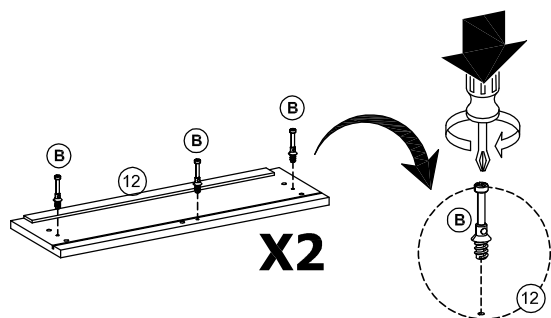
10



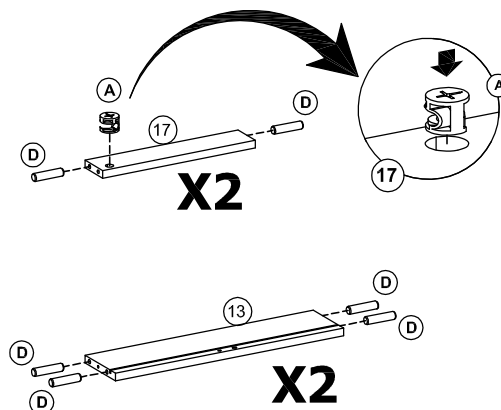
11



12

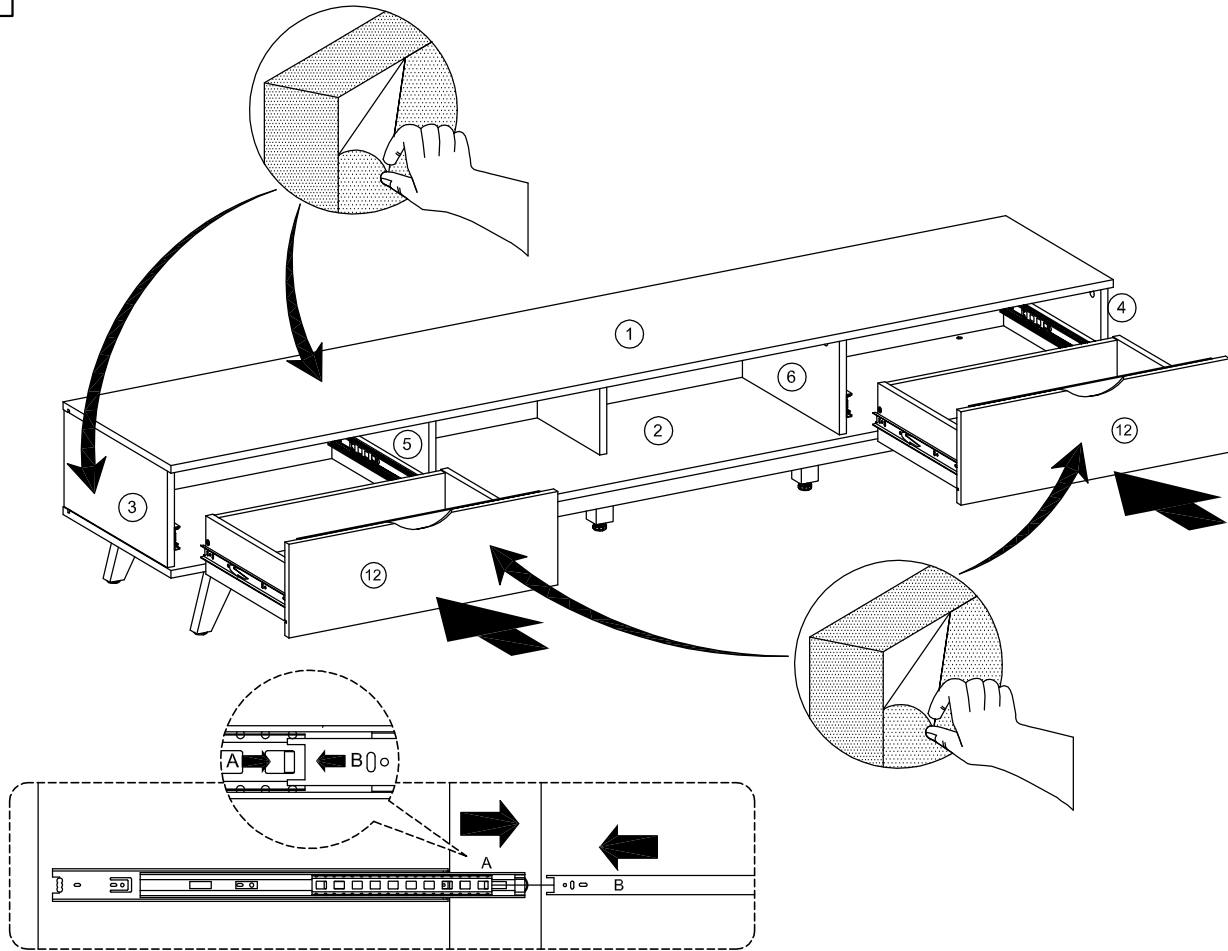


13

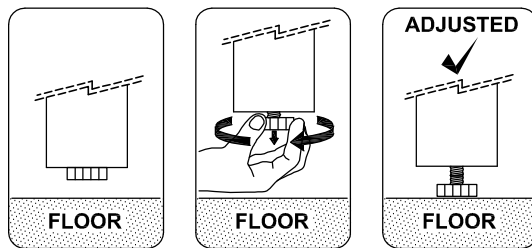
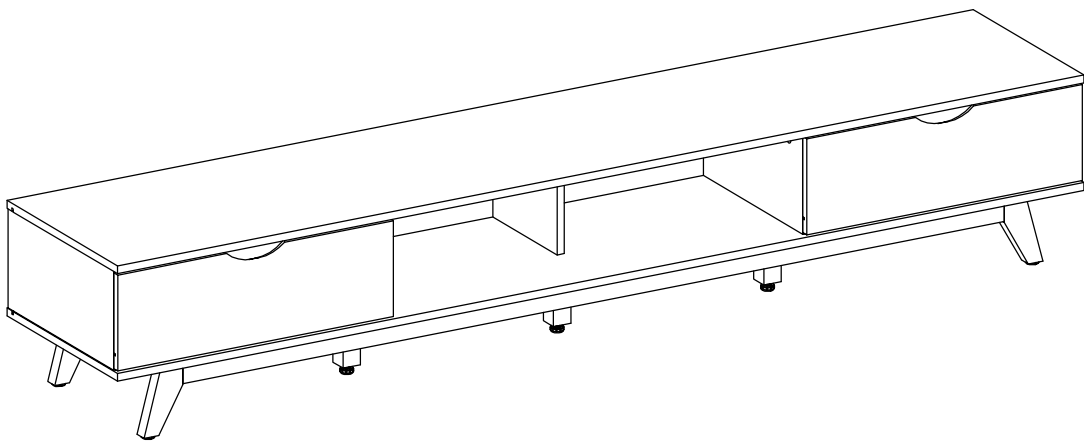


SL2000WWS

19



20



PART NUMBER REFERENCE

NO	ID PART	DRAWING PART	DESRPTION	UNIQUE CODE OF HARDWARE
1	A		CAMLOCK (15 X 12 MM)	SL2000WWSA
2	B		CAMBOLT (7,5 X 32 MM)	SL2000WWSB
3	C		CAM STICKER (20 MM)	SL2000WWSC
4	D		WOOD DOWEL (8 X 32 MM)	SL2000WWS D
5	E		FLAT HEAD SCREW (6 X 8 MM)	SL2000WWE
6	F		DOUBLE EXTENTION RAIL (350 MM)	SL2000WWSF
7	G		FLAT HEAD SCREW (10 X 33,5 MM)	SL2000WWSG
8	H		BACKPLY STOPPER	SL2000WWSH
9	I		FLAT HEAD SCREW (4 X 19 MM)	SL2000WWSI
10	J		PAN HEAD SCREW (4 X 12 MM)	SL2000WWSJ
11	K		PAN HEAD SCREW (6 X 45 MM)	SL2000WWSK
11	L		WASHER PLATE	SL2000WWSL

NO	ID PART	DESRPTION	UNIQUE CODE OF HARDWARE
1	1	TOP PANEL	SL2000WWS1
2	2	BOTTOM PANEL	SL2000WWS2
3	3	LEFT SIDE PANEL	SL2000WWS3
4	4	RIGHT SIDE PANEL	SL2000WWS4
5	5	LEFT DIVIDER	SL2000WWS5
6	6	RIGHT DIVIDER	SL2000WWS6
7	7	MIDDLE DIVIDER	SL2000WWS7
8	8	BACK PANEL	SL2000WWS8
9	9	CENTER LEG	SL2000WWS9
10	10	WOOD LEG	SL2000WWS10
11	11	BOTTOM SUPPORT PANEL	SL2000WWS11
12	12	FRONT DRAWER PANEL	SL2000WWS12
13	13	REAR DRAWER PANEL	SL2000WWS13
14	14	LEFT DRAWER PANEL	SL2000WWS14
15	15	RIGHT DRAWER PANEL	SL2000WWS15
16	16	BOTTOM DRAWER PANEL	SL2000WWS16
17	17	SUPPORT DRAWER PANEL	SL2000WWS17
18	18	PIPE SUPPORT PANEL	SL2000WWS18