



Sirius

**Congratulations on your purchase!
Thank you for choosing a Sirius product.**

Alfresco rangehood user manual
INSTALLATION AND USE INSTRUCTIONS

SIL25FRESCO1200

EAN #9351116001179

www.siriusbrand.com

BEFORE YOU INSTALL	3
TO THE ATTENTION OF THE USER	4
PRE-INSTALLATION CHECKS	5
INSTALLATION INSTRUCTIONS	6
TOP CEILING BRACKET TEMPLATE	7
FITTING THE FLUE COVER	8
EXTENDING THE FLUE COVER	10
WARRANTY	11

BEFORE YOU INSTALL - DUCTING INFORMATION

Sirius warranty covers only Sirius product. If you choose to install a non-Sirius branded accessory such as flexible ducting, Sirius will only warrant the rangehood and motor. If installation is found to be the cause of failure or issue then charges will apply for service and parts.

Flexible ducting is not permitted under any circumstances. Flexible ducting has been found to increase noise levels, increase vibration and reduce airflow. Sirius Semi-rigid or solid ducting can be used in lieu. There is a range available to suit any application.



The appliance must be installed and connected to the power supply only by a qualified technician.

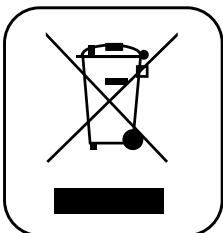
- There should be adequate ventilation of the room when the rangehood is used at the same time as appliances burning gas or other fuels (not applicable to appliances that only discharge the air back into the room)
- The details concerning the method and frequency of cleaning
- There is a fire risk if cleaning is not carried out in accordance with the instructions;
- Do not flambé under the range hood;
- CAUTION: Accessible parts may become hot when used with cooking appliances.

Ducting available at www.siriusbrand.com

6 Year Warranty when Sirius Ducting is used. Full replacement warranty on parts and labour. See website for terms & conditions.

A reduction in the duct diameter from stated ducting size will void warranty.

If you are in doubt about the ducting, please contact Sirius on 1300 762 219 prior to installation



The symbol on the product or on its packaging indicates that this product may not be treated as household waste. Instead it shall be handed over to the applicable collection point for the recycling of electrical and electronic equipment. By ensuring this product is disposed of correctly, you will help prevent potential negative consequences for the environment and human health, which could otherwise be caused by inappropriate waste handling of this product. For more detailed information about recycling of this product, please contact your local city office, your household waste disposal service or the shop where you purchased the product. This appliance is marked according to the European directive 2002/96/EC on waste electrical and electronic equipment (WEEE).

TO THE ATTENTION OF THE USER

This rangehood is designed to work with ducted outside evacuation.



Keep these instructions for use with the appliance. If the appliance should be sold or passed on to others, make sure that the instructions are passed on with it. We thank you for taking note of these suggestions before installing and using the appliance. They have been written for your personal safety and the safety of others.

SAFETY INSTRUCTIONS

These hoods have been designed for personal use in the home. The appliance must be used by adults. Make sure that the appliance is out of reach of children and that they do not use it to play with. Make sure that children do not operate the controls.

- When the appliance is delivered, check the overall appearance of the packaging.
- Any remarks should be written on the delivery invoice, of which you keep a copy.
Your appliance is designed for normal domestic use. It is not designed for commercial or industrial use, or for purposes other than those for which it was designed.
- Any consequences of or damage from incorrect installation or incorrect use of the appliance will not be covered by the manufacturer's guarantee.
- Do not ever change or try to change the characteristics of this appliance. This would be a danger. Repairs must be performed only by an authorised technician.
- Always disconnect the hood before carrying out cleaning or maintenance operations.
- Adequately ventilate the room when a rangehood and other appliances, powered by energy other than electricity, are used simultaneously, so that the hood does not suck any combustion fumes.
- It is not allowed to cook food over open flames (flambé) or operate gas hobs without pots or pans on them under the hood itself (the flames sucked into the hood might damage the appliance).
- Frying under the appliance must be done under constant supervision as hot oils and fats may ignite.
- Respect the guidelines for cleaning and replacement of grease filters. Accumulated deposits of grease are a fire hazard.

- This appliance must not be used over cook tops powered by wood or coal or in any case, over cook tops with power levels that could damage the appliance.
- Never use steam or high-pressure devices for cleaning your hood (regulations regarding electrical safety).
- Never use the rangehood without the grease filters.

At Sirius, we are constantly seeking to improve our products. We reserve the right to modify their technical, functional, or aesthetic characteristics deriving from their upgrading.

Motors manufactured and approved by Sirius only are to be used at all times. Failure to comply with this will result in the forfeit of the manufacturer warranty.

The air collected must not be conveyed into a flue used for smoke or fumes from appliances powered by anything other than electricity (central heating systems, bathroom and toilet exhausts, etc.). As far as discharging exhaust air is concerned, please follow the guidelines given by competent authorities.

PRE-INSTALLATION CHECKS

Connect all of the electrical components to the unit and motor to make sure both the unit and the motor are functioning properly.



Installation must comply with the regulations in force regarding the ventilation of enclosed environments. In particular, discharged air must not be conveyed into a duct used for fumes discharge or discharge from appliances using gas or other combustible materials. Air cannot be ducted into roof space.

The use of discontinued ducts is not allowed without the approval of a qualified technician.

BEFORE YOU INSTALL

Sirius warranty covers only Sirius product. If you choose to install a non-Sirius branded accessory such as flexible ducting, Sirius will only warrant the hood and motor. If installation is found to be the cause of failure or issue then charges will apply for service and parts.

Flexible ducting is not permitted under any circumstances. Flexible ducting has been found to increase noise levels, increase vibration and reduce airflow. Sirius Semi-rigid or solid ducting can be used in lieu. There is a range available to suit any application.

Available at www.siriusbrand.com

**A reduction in the duct diameter from stated ducting size will void warranty.
If you are in doubt about the ducting, please contact Sirius on 1300 762 219 prior to installation.**

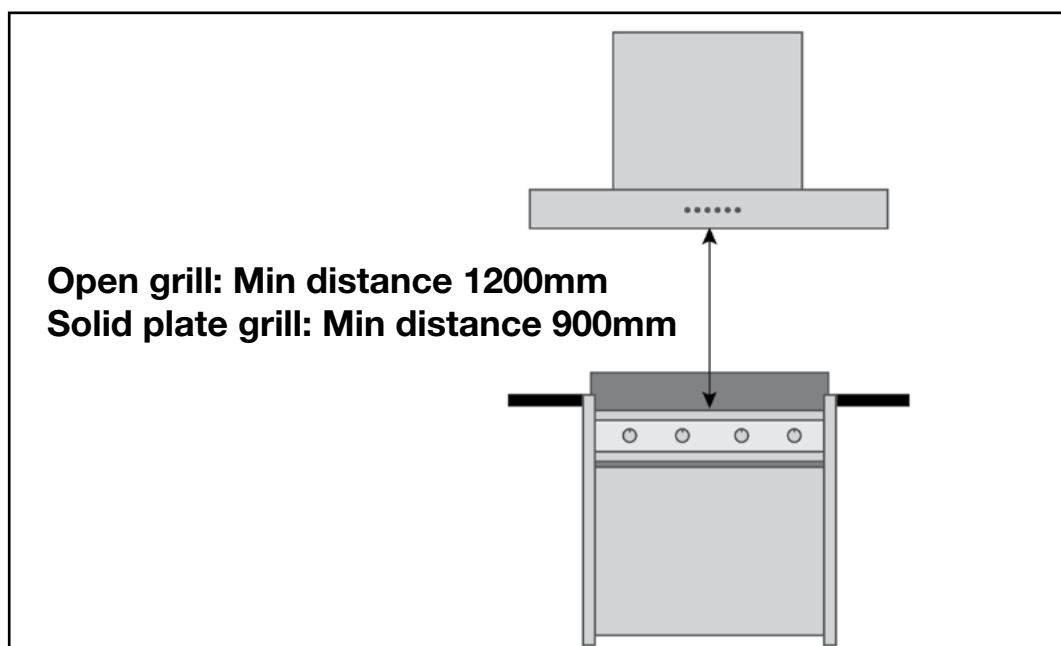
INSTALLATION INSTRUCTIONS

Ensure that there are support beams in the ceiling cavity to support the weight of this rangehood.



Under no circumstances is this rangehood to be suspended from plaster only as it will not support the weight of the rangehood.

1. Find the exact centre in the ceiling so the hood will be directly over the top off the barbecue grills/plates.
2. Prepare the top mounting bracket (Fig. 1) holes by using the bracket itself as a template. This bracket is held in place by the supplied 6 x 40mm screws and plastic dowels. Pre-drill the holes in the timber support beams in the cavity above and insert the plastic dowels. Put the bracket in place and screw in the 6x 40mm supplied screws, making sure they are screwed all the way in and tight.



**TOP CEILING BRACKET TEMPLATE
(50% SCALE)**

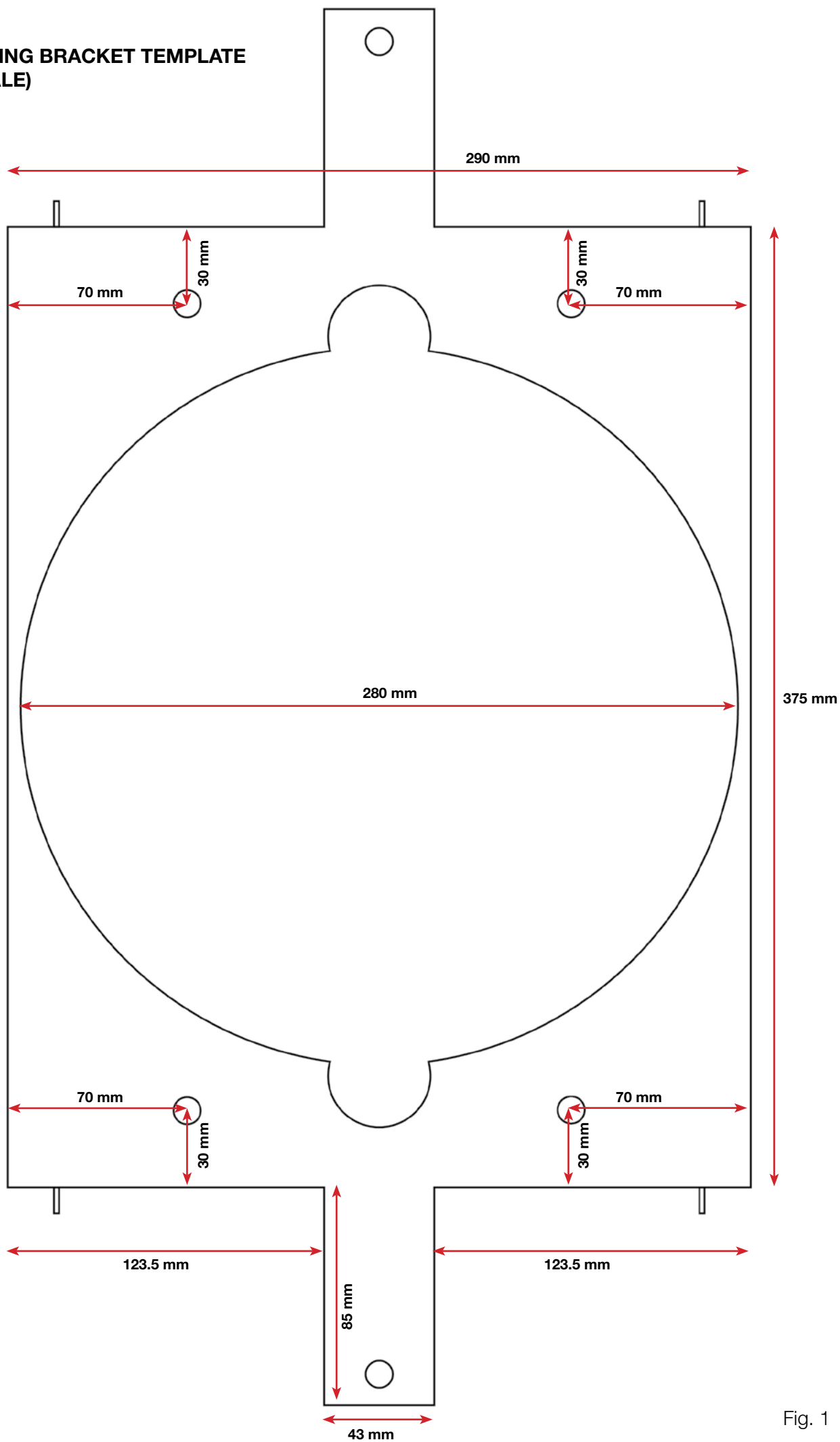


Fig. 1

FITTING THE FLUE COVER

3. Fix the lower telescopic section of the bracket to the top of the rangehood by lining up the 8x fixed threaded bolts with the 8x pre-drilled holes on the lower bracket and fitting the 8x nuts and washers and tightening up fully. (Fig. 3)

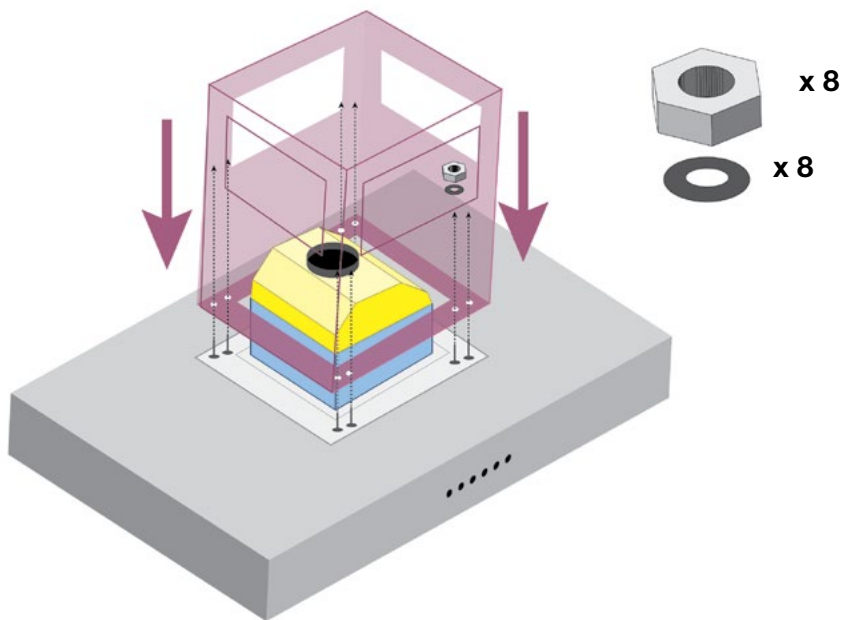


Fig. 3

4. Measure the required height to telescope the bracket to its desired length and secure in place using the supplied 10mm screws. (Fig. 4)

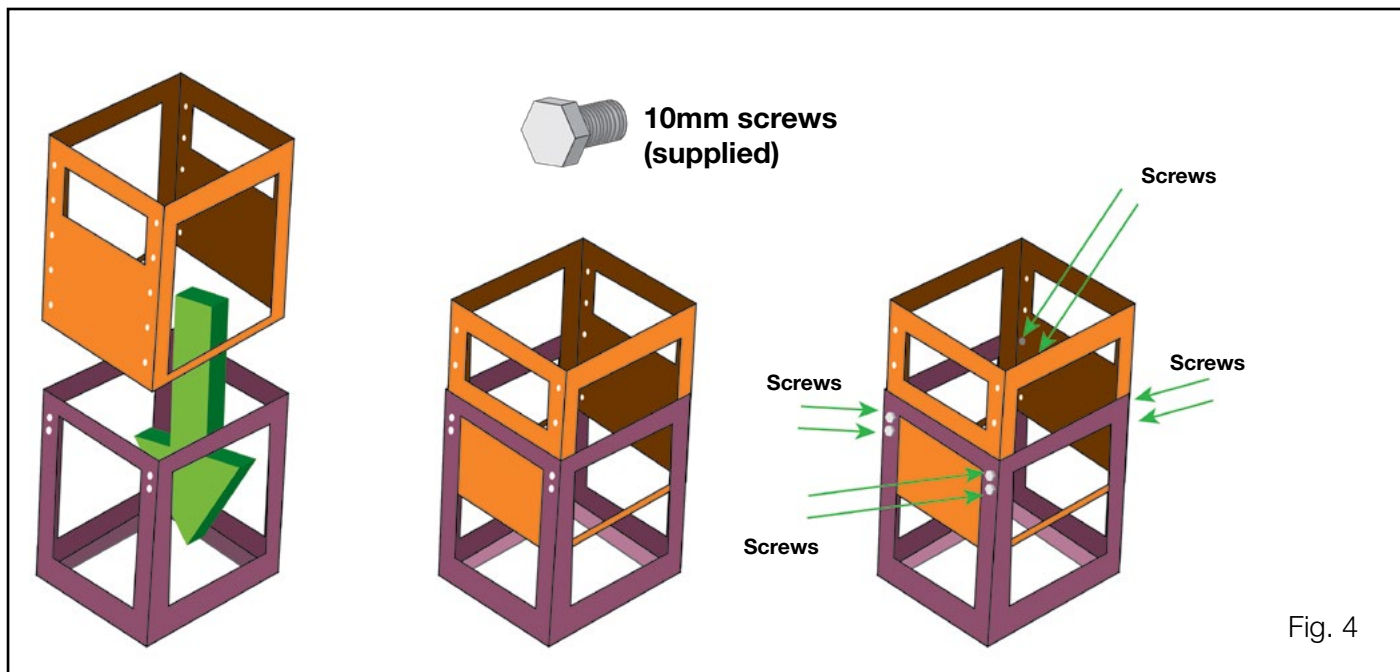
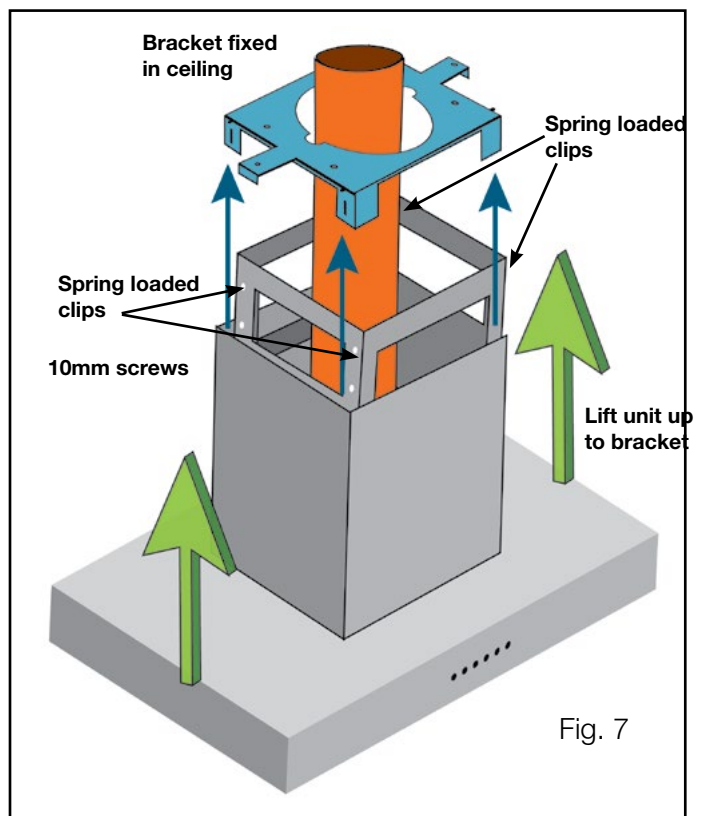
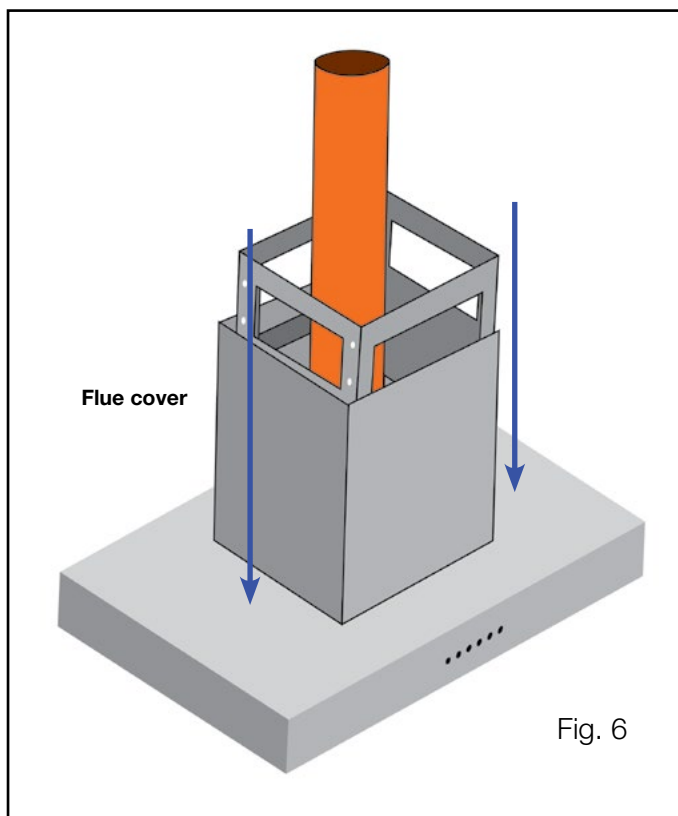
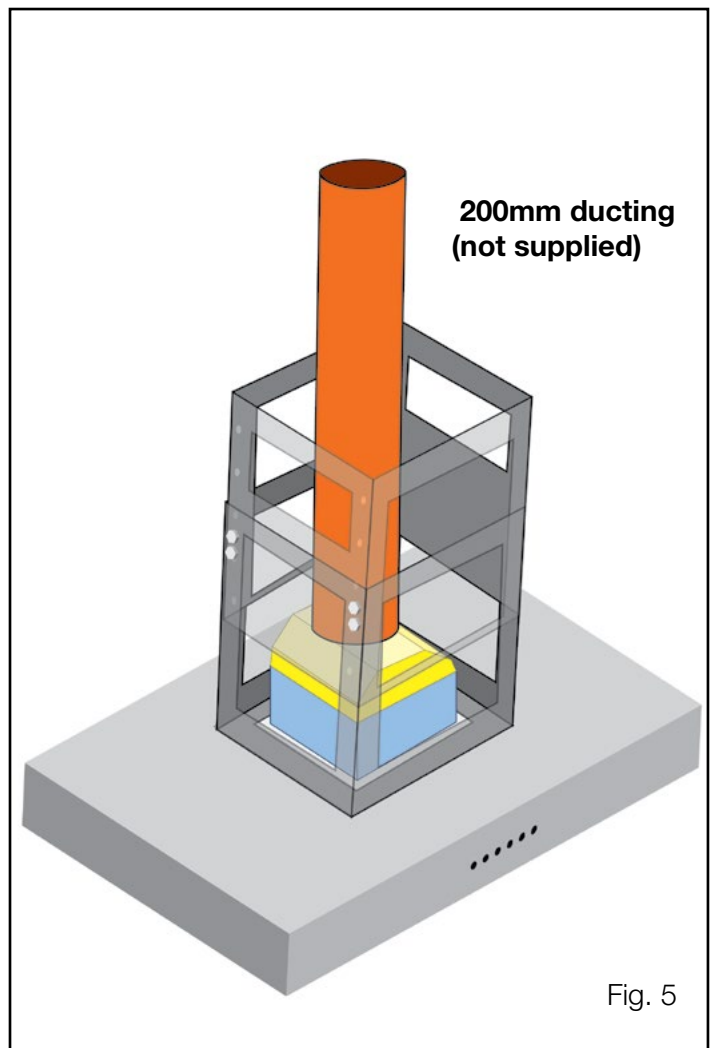


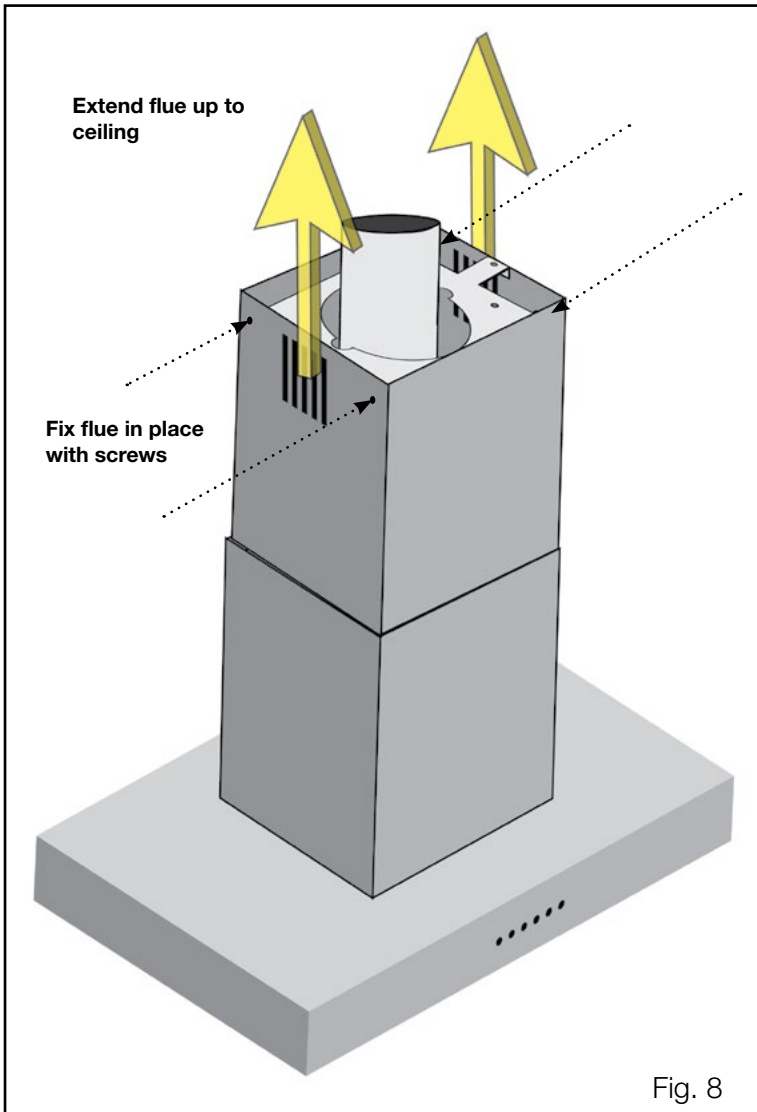
Fig. 4

5. At this stage you will need to secure your 200mm ducting to the outlet collar on the hood as it will not be able to be done once the unit is hung in place. (Fig. 5)
6. Slide the stainless steel flue cover (covers if required) over the telescopic frame and lift the whole hood into position. Depending on the height of the ceiling the flue cover may need to be cut to height. (Fig. 6)
7. Lift the rangehood with the telescopic frame and the 200mm ductwork attached and slide the telescopic frame inside the top mounting bracket until the spring loaded clips engage. Fit the telescopic frame in place securely using the supplied 10mm screws. (Fig. 7)



EXTENDING THE FLUE COVER

8. Telescope the flue cover to the top, covering the top bracket and secure in place using the 10mm supplied screws. (Fig. 8)



WARRANTY INFORMATION



Sirius

Dear Customer,

Thank you for choosing this Sirius Rangehood.

We are sure that it will provide you with many years of excellent service. At Arisit Pty Limited we are dedicated to ensuring that our customers receive the best possible after-sales care.

The Sirius 'Protection Plan' has been devised to give you added peace of mind. Should you encounter any problems with your appliance, our nationwide team of specially trained technicians will deal with your call swiftly and efficiently.

PRIORITY SERVICE, ACCESSORIES & SPARE PARTS

AUSTRALIA

ARISIT PTY LIMITED
40-50 Mark Anthony Drive, Dandenong South,
VIC 3175, Australia
Phone: 1300 762 219
Email: consumer.care@arisit.com

NEW ZEALAND

ARISIT PTY LIMITED
1A Howe Street, Newton,
Auckland 1145, New Zealand
Phone: (09) 306 1020
Email: sales@aristonappliances.co.nz

Warranty

By registering your ownership NOW, you qualify for Sirius's Total Peace of Mind Protection Plan.

Australian & New Zealand 3 / 6 Year Protection Plan*

This guarantees your appliance for a full 3 years parts and labour & 10 years for the off-board motors (covering manufacturing defects only) from the date of purchase, subject to the Terms and Conditions overleaf.

***3 Year warranty is extended to a 6 year period only when Sirius ducting is installed.**

 **Year Warranty**
when Sirius ducting is used*
www.siriusbrand.com

Your Warranty

Register now to qualify.

Terms & Conditions

These Terms and Conditions apply only to Sirius products distributed in Australia and New Zealand by Arisit Pty Limited.

1. This warranty applies for a period of 3 years on all products.
 - a) Warranty is extended to a 6 year period when Sirius ducting is installed.
 - b) All off-board motors are covered under warranty for a 10 year period for manufacturing defects only.
2. Warranty applies for parts and labour in Australia and New Zealand, commencing from date of purchase.
3. This warranty applies only to the original purchaser/hire purchaser of this appliance and cannot be assigned or transferred. Failure to produce documentary proof of the date of original acquisition by the original purchaser will result in a charge being levied for work done, labour and parts supplied.
4. This warranty does not apply to:
 - a) Consumable items such as filters, fuses, and light bulbs.
 - b) Damage to body work, paint work, glass, and plastic items (such as, but not limited to windows, covers, baskets, trays, worktops, door handles, control and kick panels.)
 - c) Corrosion & rust damage.

A fee may be charged following warranty claims where no fault is found with the appliance.

5. This warranty will not apply where:
 - a) The fault is caused by accident, misuse, an infestation of insect and or vermin, fire, flood or the use of products not approved by Arisit Pty Limited.
 - b) There has been a failure to comply with the manufacturer's operating and installation instructions.
 - c) Service, modification or repair has been carried out by anybody other than an approved Arisit Service Technician.
 - d) The appliance has been used/ installed anywhere other than a private dwelling, or where it has been used other than for domestic use.
 - e) The appliance is subject to a rental agreement.
6. Any defective part that has been replaced becomes the property of Arisit Pty Limited.
7. This warranty applies only to Sirius appliances purchased and installed in Australia and New Zealand.
8. Loss of use of the appliance or consequential loss of any nature is not covered.
9. A charge may be levied at the discretion of Arisit Pty Limited if the call is deemed unnecessary or if the cause of failure is traced to external sourced such as, but not limited to: blown fuses, power failure, faulty installation, customer misuse or negligence, etc
10. Where the appliance, the subject of a warranty claim or repair, is used or installed more than TWENTY (20) kilometres from the nearest Arisit Service Division or Authorised Service Agent, the cost of delivery to the nearest Service

Division or travel costs for a technician or Authorised Service Agent shall be for the account of the Purchaser. Where a built-in appliance is located or installed outside the Arisit Authorised Service Agent's normal service area, additional travel and labour costs shall be the account of the Purchaser.

11. Service is offered during normal business hours only, also appliances to have a clear access in a serviceable area
 12. Arisit Pty Limited shall not under any circumstances be responsible in terms of this warranty for the replacement or repair of any part of the equipment which may have been damaged in transit, during and after installation or imperfections after installation.
 13. Losses caused by act of God, failure to obtain spare parts, strikes or lockouts are not covered.
 14. External off board motors must be installed a minimum of 2 metres and maximum of 7 metres away from the rangehood. This is for optimum sound and performance.
 15. All motors must be accessible for servicing purposes and if installed above 2 metres from ground height additional cost will be incurred due to OH&S standards for service agents. Prior to install please check minimum & maximum installation details on the Sirius website, FAQ under support tab.
- We reserve the right to amend any of the above without prior notice.
16. This warranty does not affect your statutory rights.

To register for your warranty, please visit:

www.arisitwarranties.com.au/Customer-Registration.aspx

or scan the QR code.



ARISIT PTY LIMITED (Australia)
ABN 23 091 515 294

40-50 Mark Anthony Drive
Dandenong South VIC 3175
P: Sales & Service: 1300 762 219
F: Sales & Service: (03) 9768 0838
E: arisit@arisit.com

ARISIT PTY LIMITED (New Zealand)

1A Howe Street Newton, Auckland 1145
PO Box 68-140 Newton, Auckland 1145
P: (09) 306 1020 - Fax: (09) 302 0077
E: sales2@aristonappliances.co.nz

www.arisit.com

www.siriusbrand.com

**6 Year
Warranty**

when Sirius ducting is used.

Full replacement warranty on parts and labour. Check website for T&Cs.

10 year warranty on SEM motors.

Sirius Hoods and ducting products are only available from our select group of Sirius Professional Stockists nationwide. For the latest list of Sirius Stockists near you, please refer to www.siriusbrand.com

All efforts have been made to ensure that the information provided in this brochure is correct at the time of printing. Due to continuous product improvement and ongoing development, Sirius reserves the right to make changes to the products and technical data without prior notice. Some products appearing in this brochure may be for illustrative purposes only. Diagrams are indicative measures only. Prior to commencing cabinetry cutouts the operating/installation instructions accompanying the product must be referred to at www.siriusbrand.com