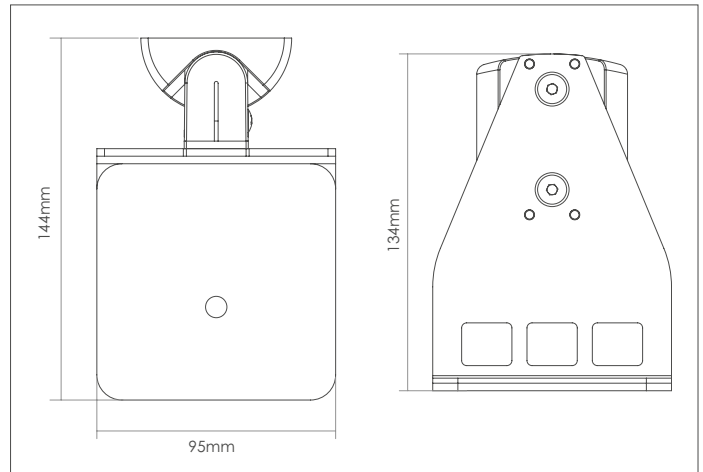


Flexible and functional wall mount to perfectly position the speaker. Includes tilt and swivel adjustment to perfectly angle the sound.

- Bespoke design securely holds the Denon Home 250
- Has a unique tilting mechanism (down 19°) plus can swivel up to 26° (13° left, 13° right), so you can perfectly angle your speaker
- Precision engineered. Quick and easy to fit
- High grade-steel and ABS construction
- Available in black or white to match the Denon Home 250
- Designed and manufactured in the UK



	White:	Black:
Product Code	<b>SDXDH250WM1011</b>	<b>SDXDH250WM1021</b>
UPC Number	<b>5057964001975</b>	<b>5057964001982</b>

Millimetres / Kilograms	Height	Width	Depth	Weight
Product Size	<b>134</b>	<b>95</b>	<b>144</b>	<b>0.5</b>
Millimetres / Kilograms	Length	Width	Height	Weight
Retail Carton	<b>175</b>	<b>144</b>	<b>105</b>	<b>0.65</b>
Carton Contents	<b>1 x Wall Mount and Instructions</b>			
Outer Carton Quantity	<b>4</b>	Country of Manufacture	<b>UK</b>	

**ARISIT PTY LTD**

PH: 1300 762 219 EMAIL: arisit@arisit.com www.arisit.com