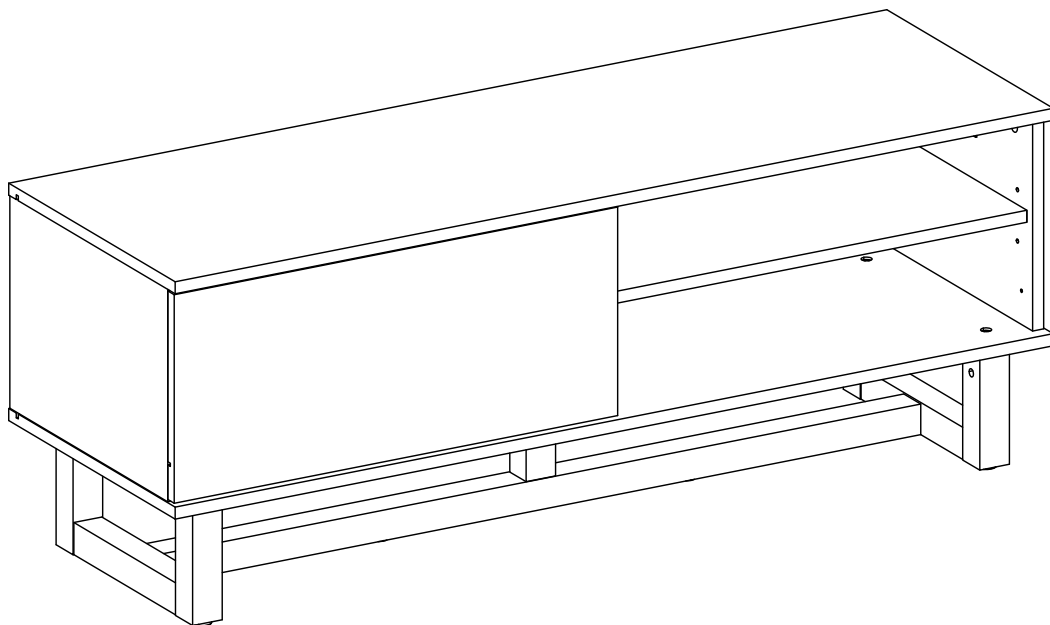




ASSEMBLY INSTRUCTIONS

RZ1200

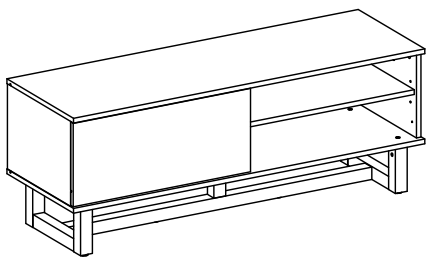
RAZE SERIES MODULAR AV CABINET



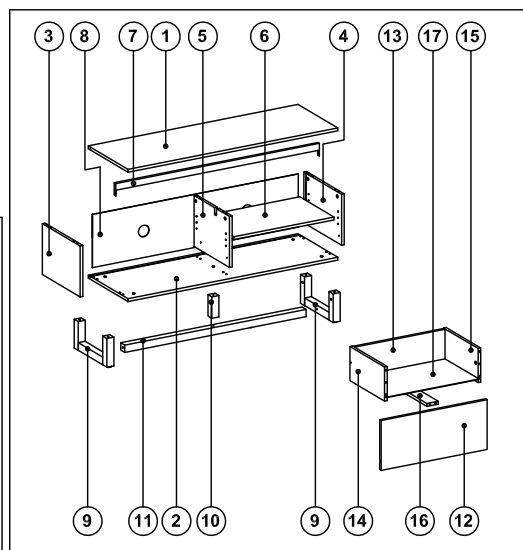
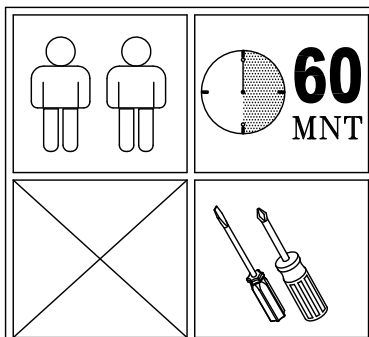
Thank you for choosing AVS RZ1200 Arisit Furniture. Before beginning assembly, please check all parts are included and undamaged. For any assembly or parts enquiries, please contact Arisit Pty Ltd on 1300 762 219 or email to arisit@arisit.com

IMPORTANT: Please Choose your preferred configuration (page 8) BEFORE installing draws & shelves
IMPORTANT: REMOVE protective plastic film from panels BEFORE assembling the cabinet

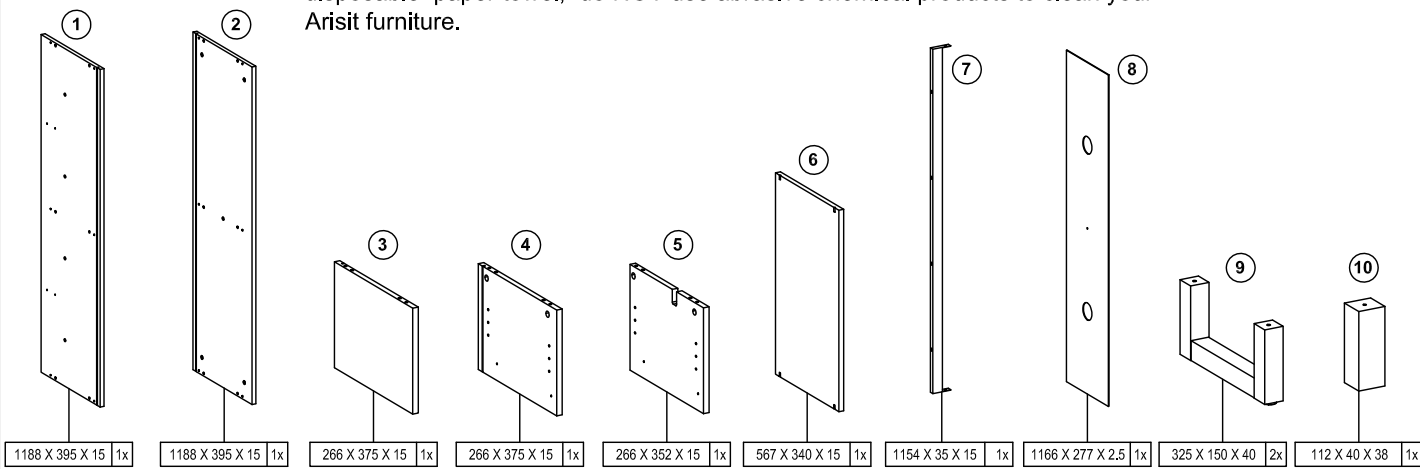
RZ1200



The cabinet top supports up to 55 kg (121 lbs.)
 The drawer supports up to 10 kg (22 lbs.)
 The shelf supports up to 5 kg (11 lbs.)

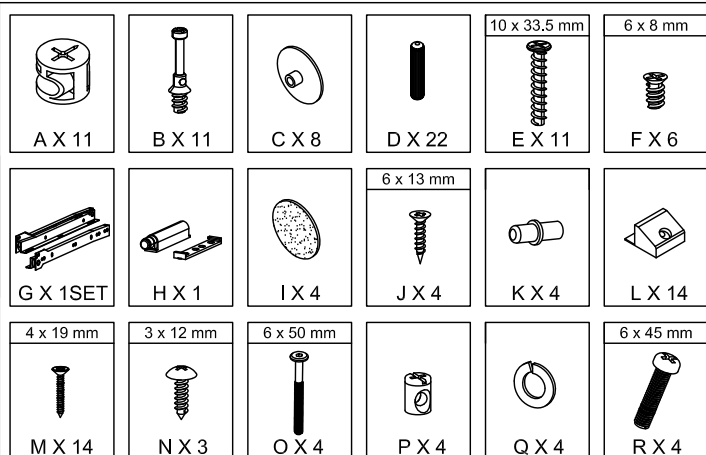
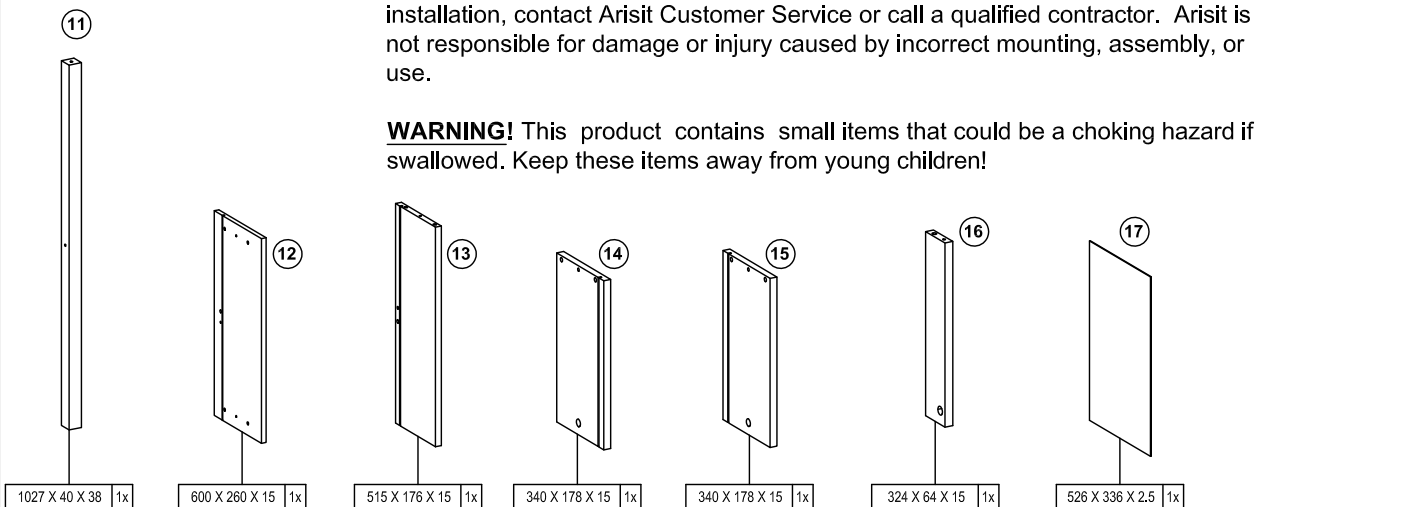


PRODUCT CARE: Care for your furniture by cleaning with glass cleaner and a disposable paper towel, do NOT use abrasive chemical products to clean your Arisit furniture.



CAUTION: Do not use this product for any purpose not explicitly specified by Arisit. Improper installation may cause property damage or personal injury. If you do not understand these directions, or have doubts about the safety of the installation, contact Arisit Customer Service or call a qualified contractor. Arisit is not responsible for damage or injury caused by incorrect mounting, assembly, or use.

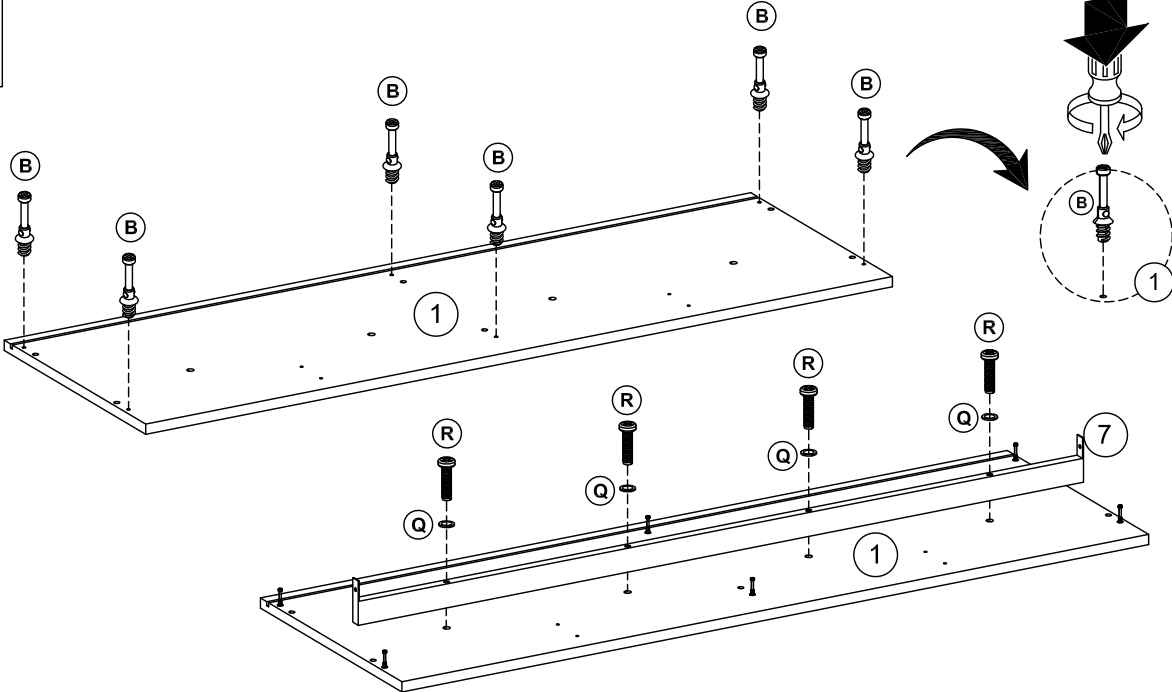
WARNING! This product contains small items that could be a choking hazard if swallowed. Keep these items away from young children!



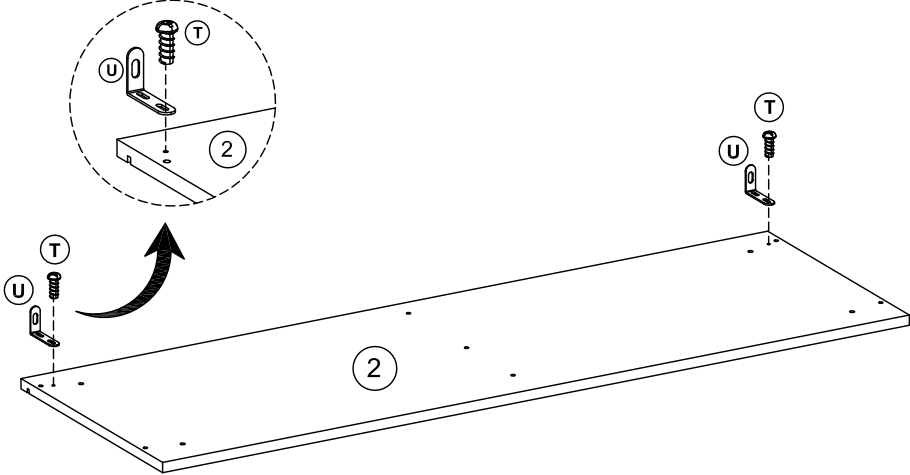
Arisit intends to make this manual accurate and complete. However, Arisit makes no claim that the information contained herein covers all details, conditions, or variations. Nor does it provide for every possible contingency in connection with the installation or use of this product. The information contained in this document is subject to change without notice or obligation of any kind. Arisit makes no representation of warranty, expressed or implied, regarding the information contained herein. Arisit assumes no responsibility for accuracy, completeness or sufficiency of the information contained in this document.

RZ1200

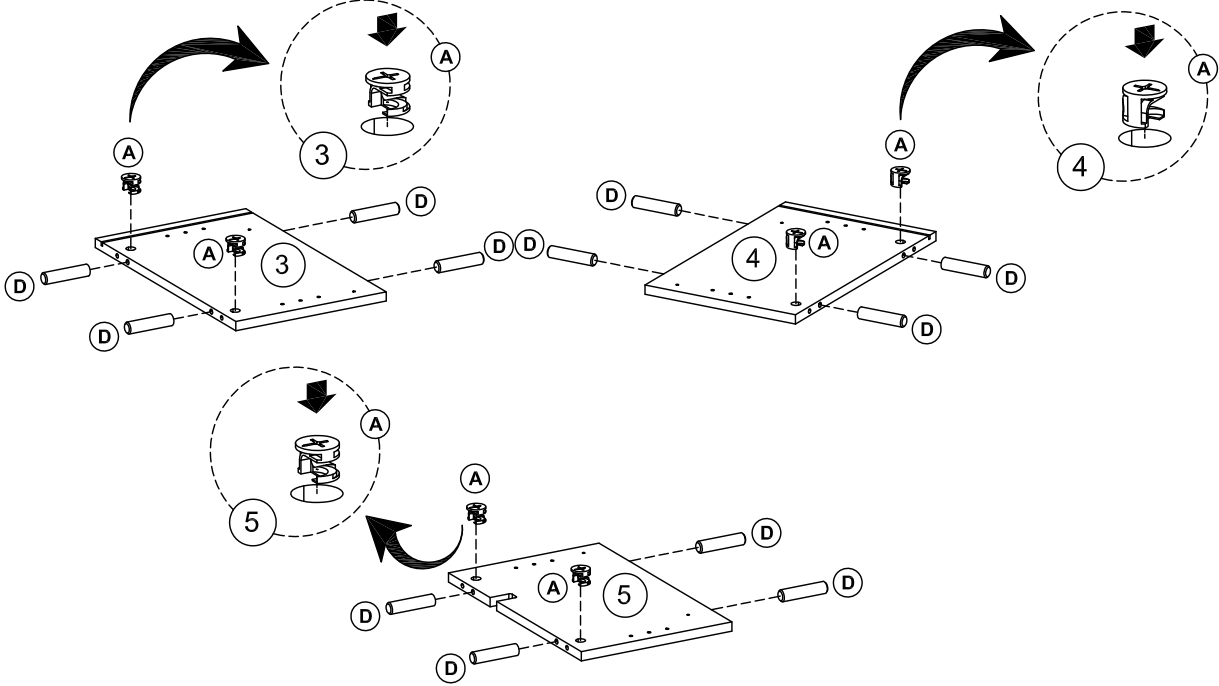
1



2

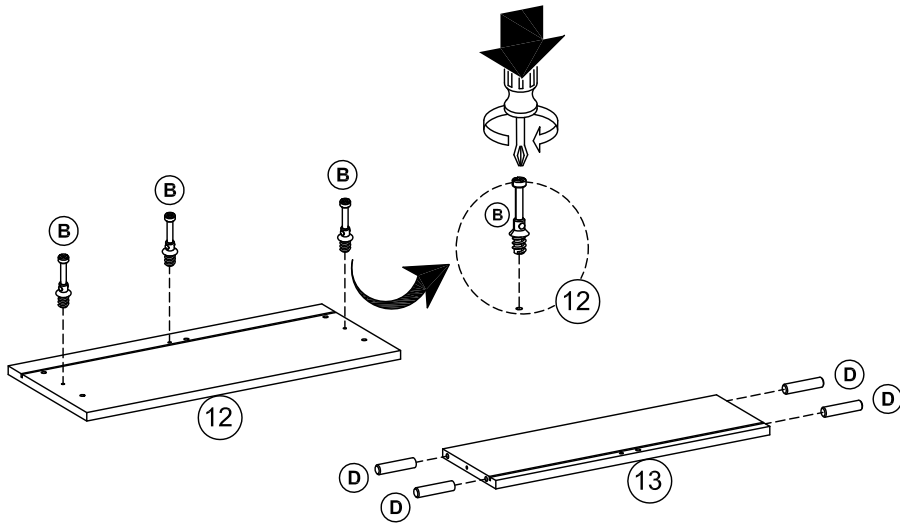


3

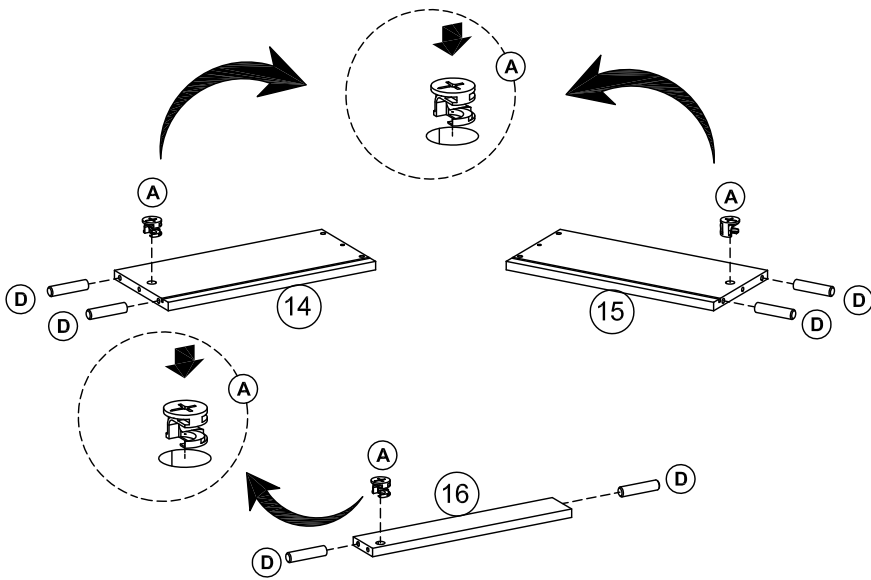


RZ1200

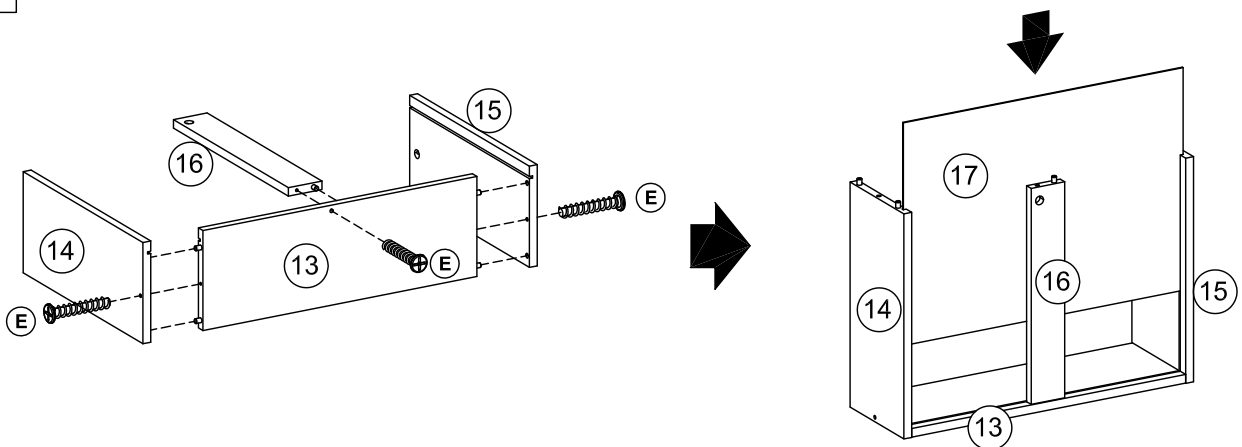
4



5

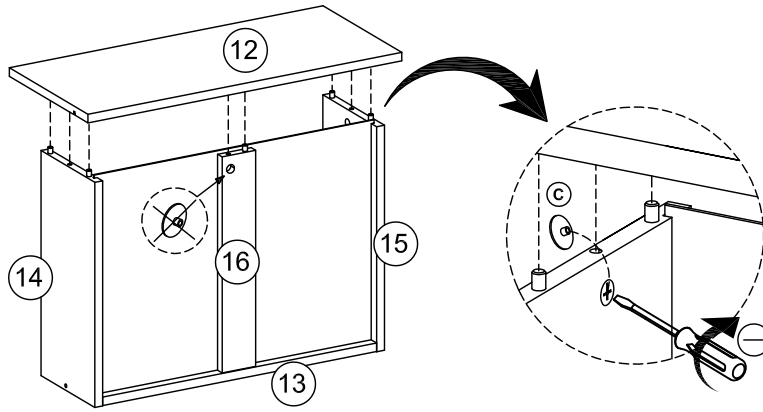


6

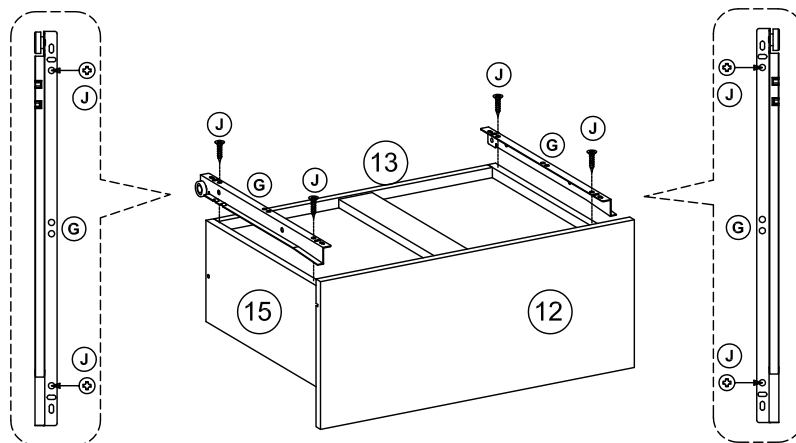


RZ1200

7

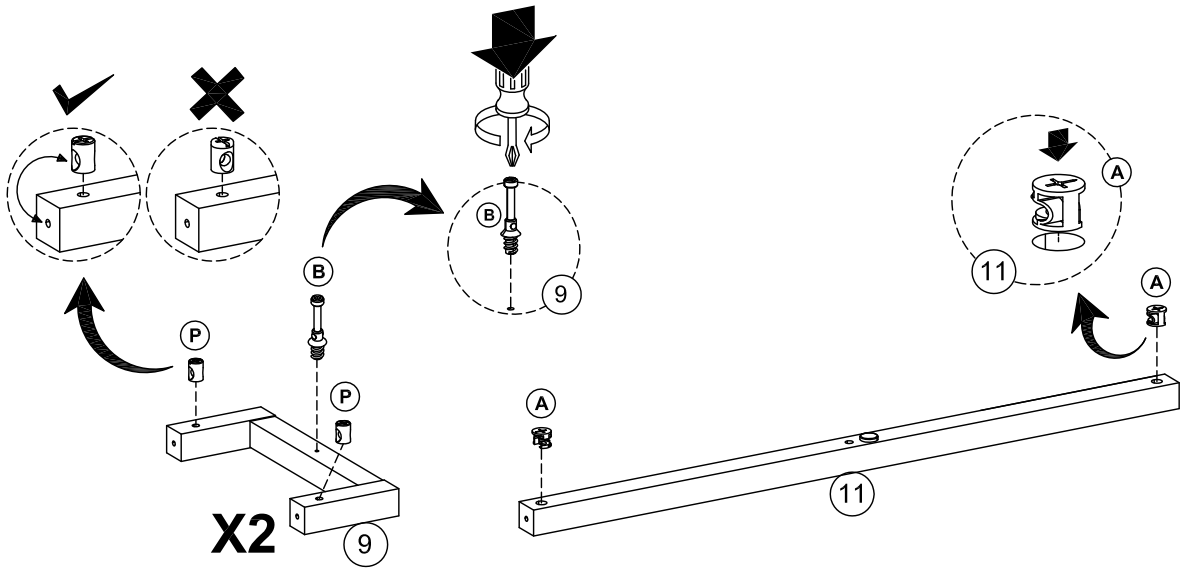


8

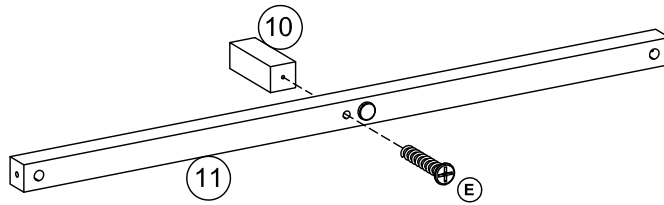


RZ1200

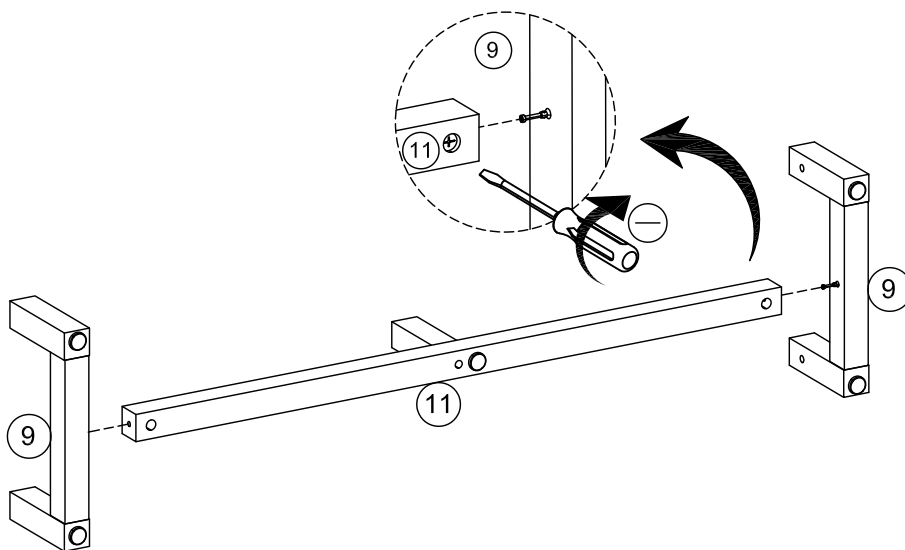
9



10

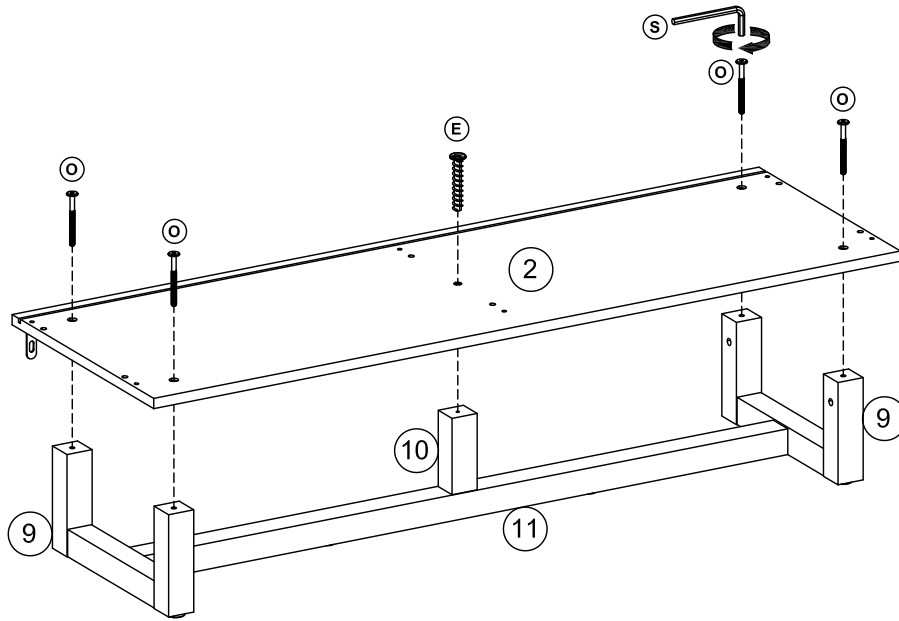


11

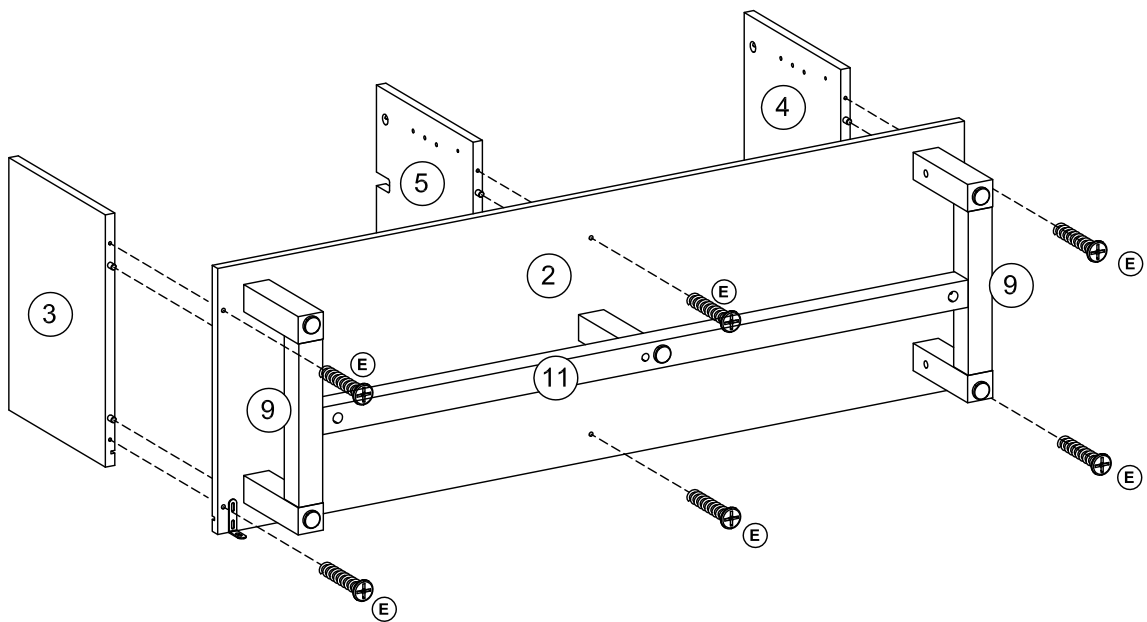


RZ1200

12

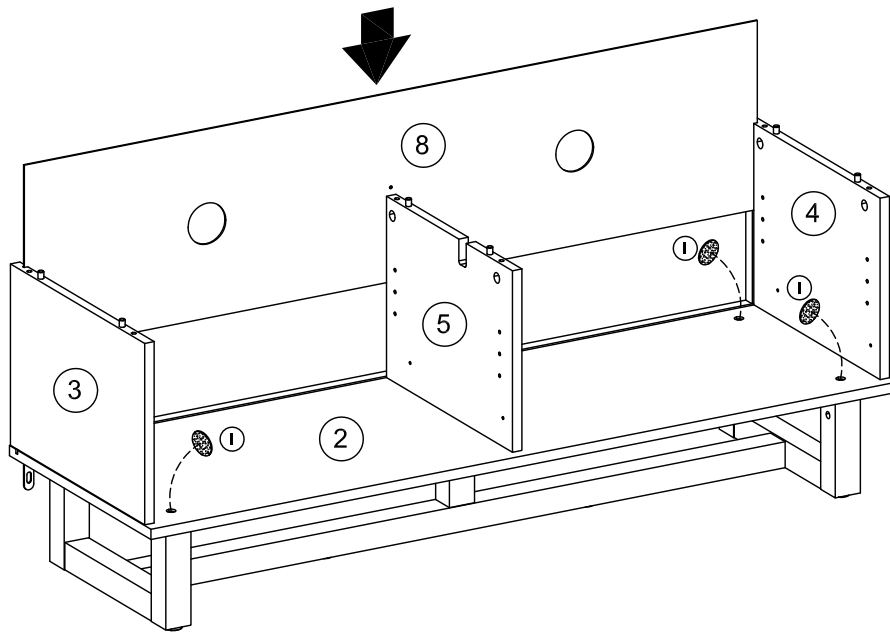


13

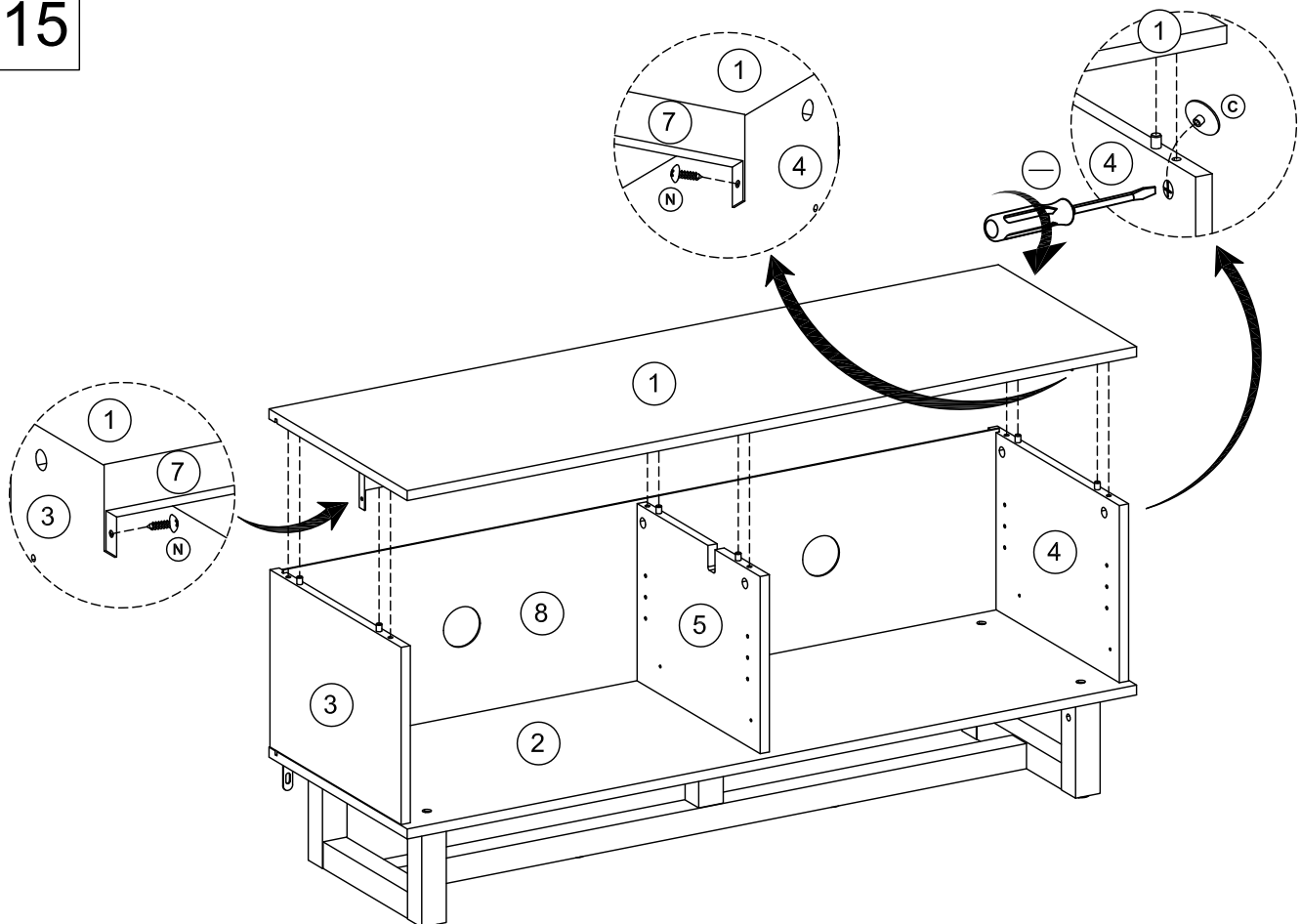


RZ1200

14

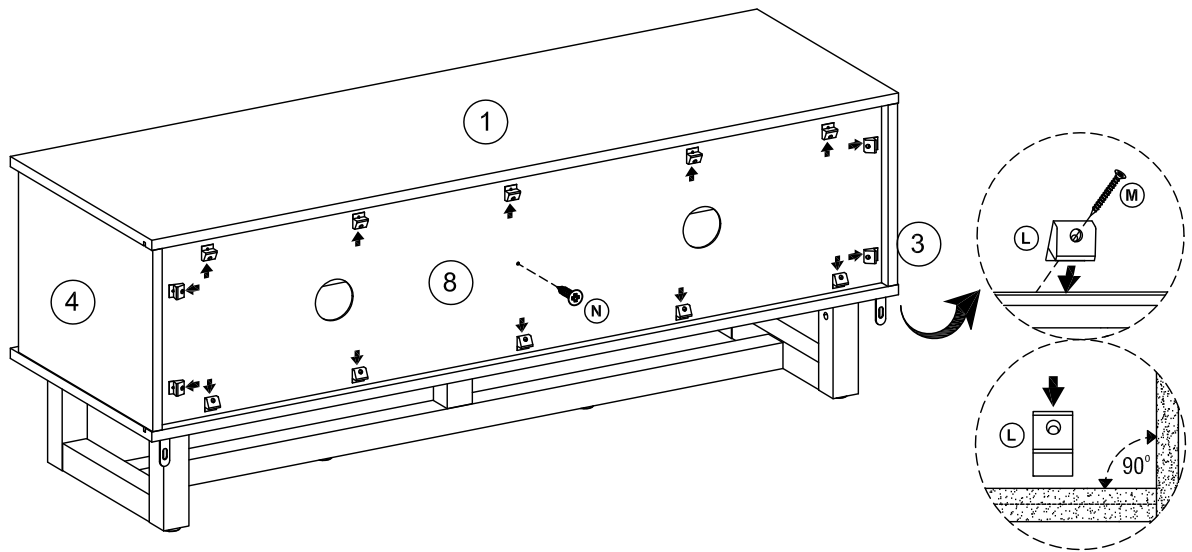


15



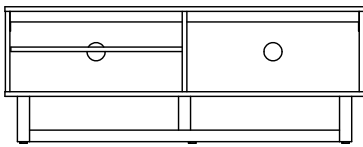
RZ1200

16

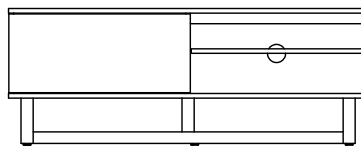


ASSEMBLY OPTIONS

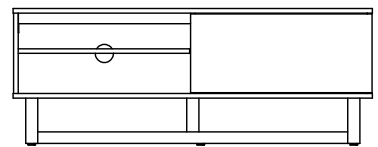
OPTION 1



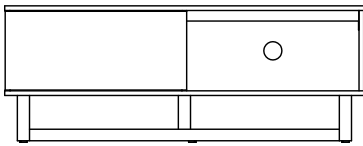
OPTION 2



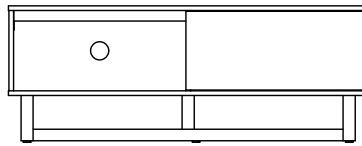
OPTION 3



OPTION 4

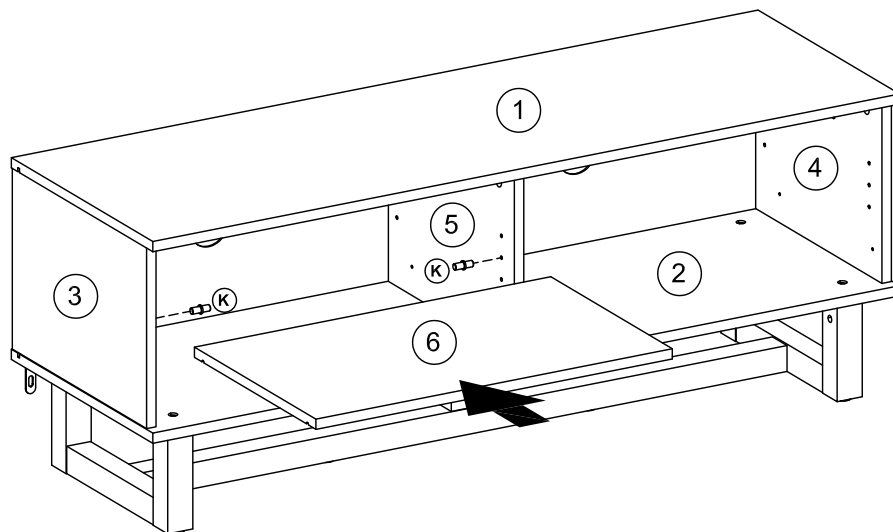
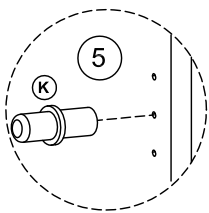
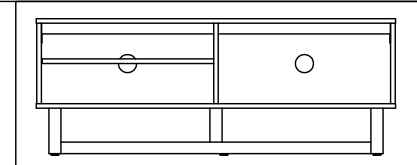


OPTION 5



17

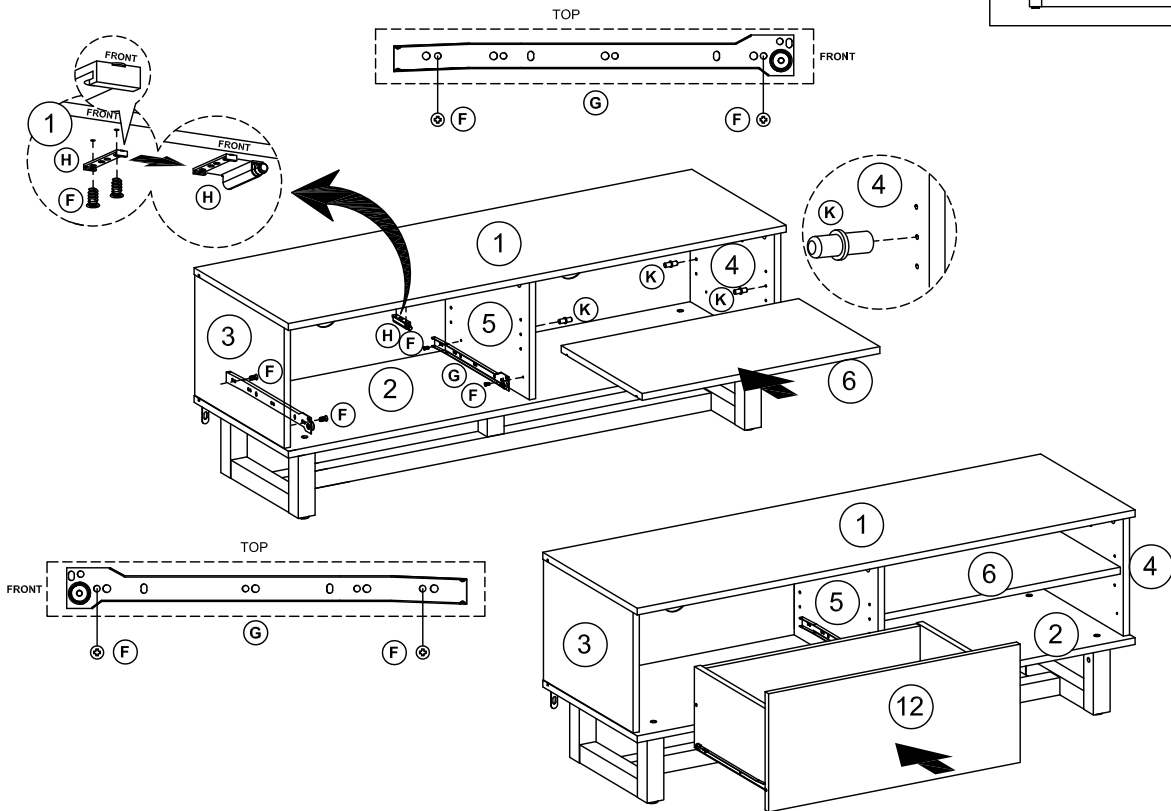
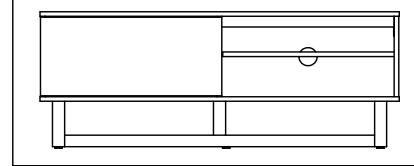
OPTION 1



RZ1200

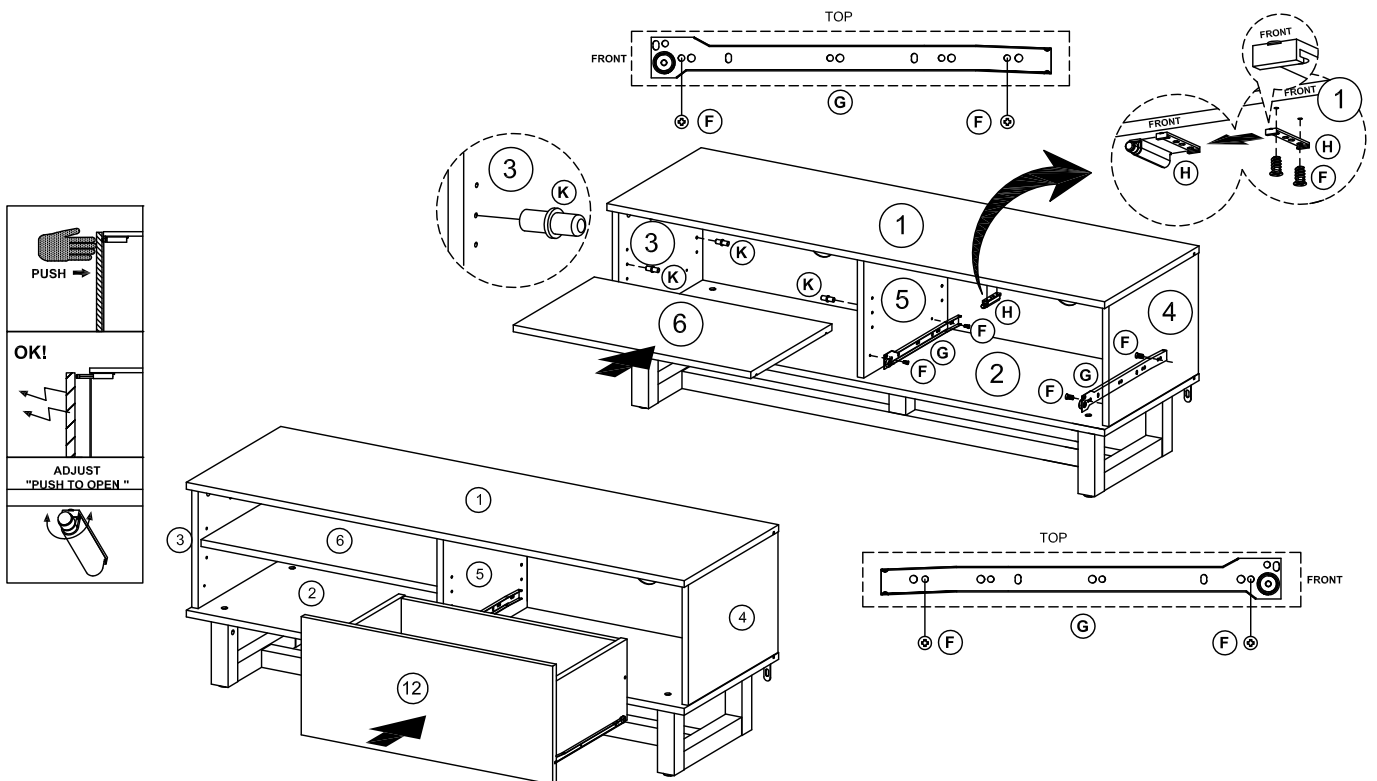
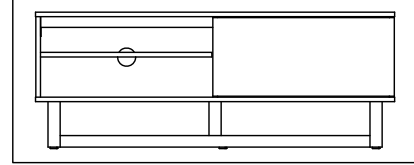
17

OPTION 2



17

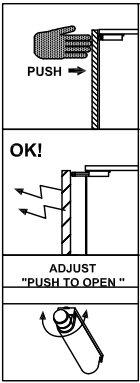
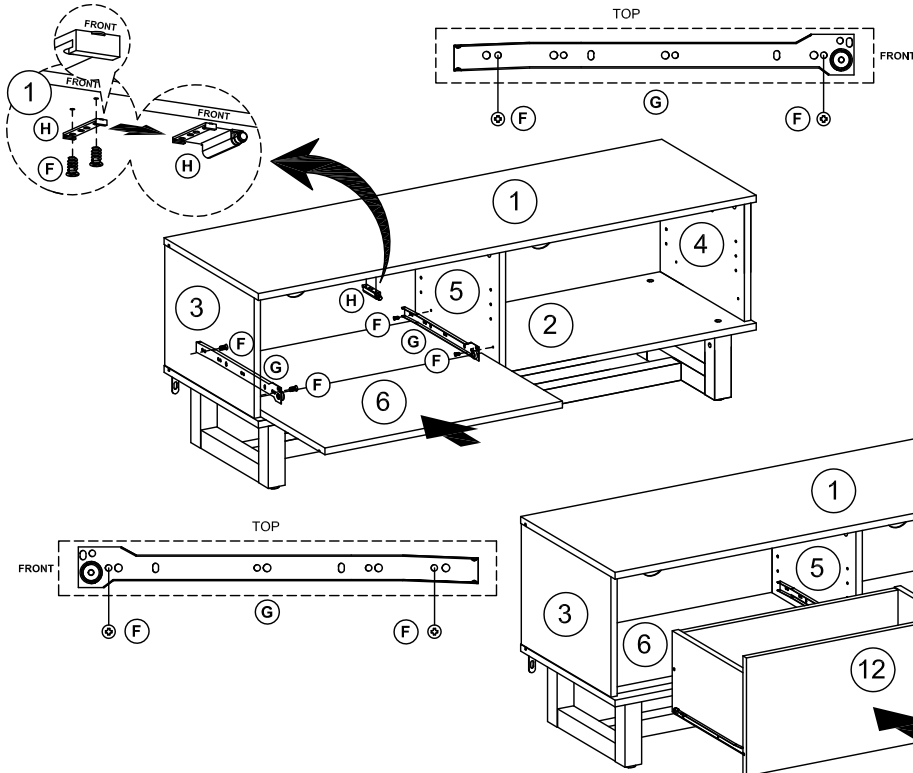
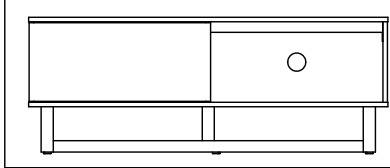
OPTION 3



RZ1200

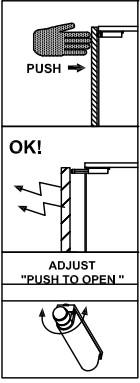
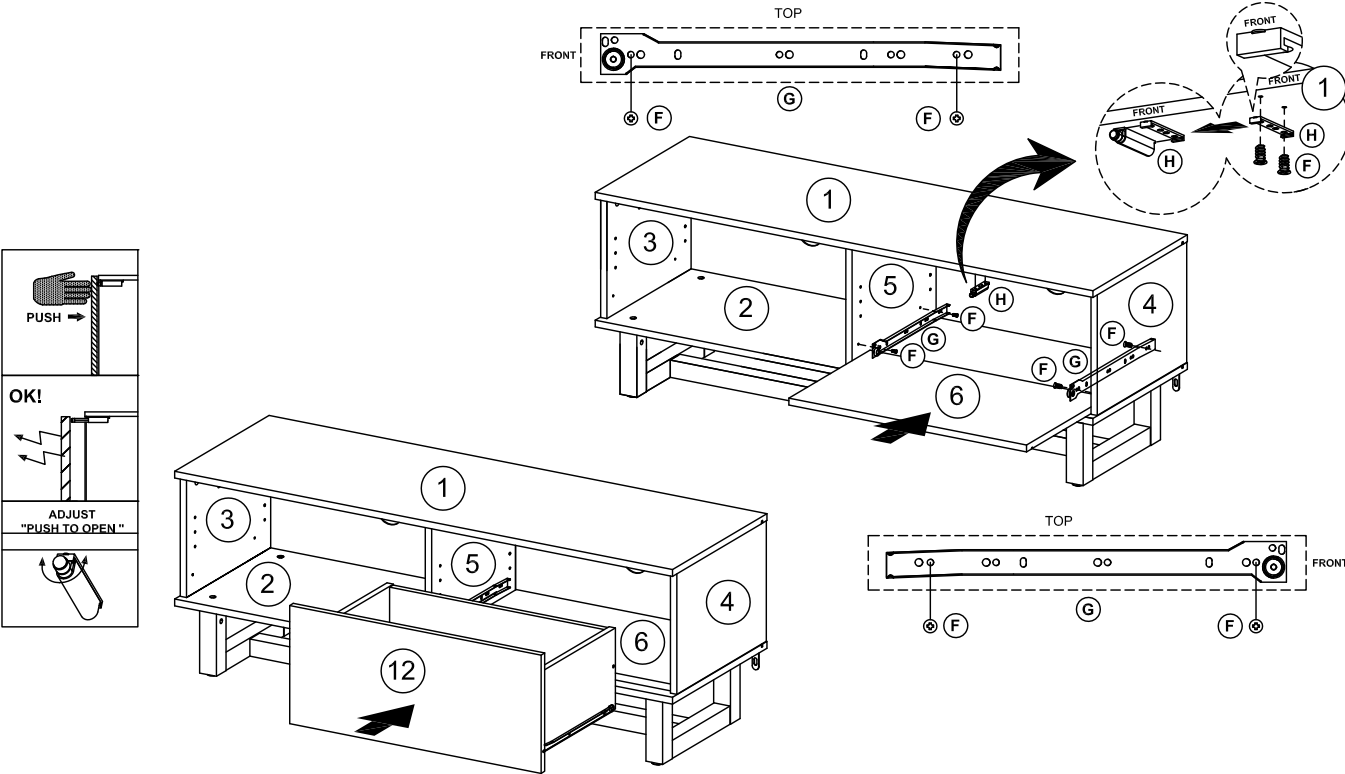
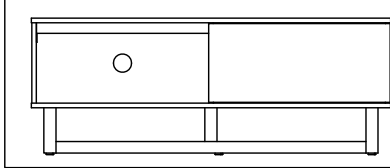
17

OPTION 4



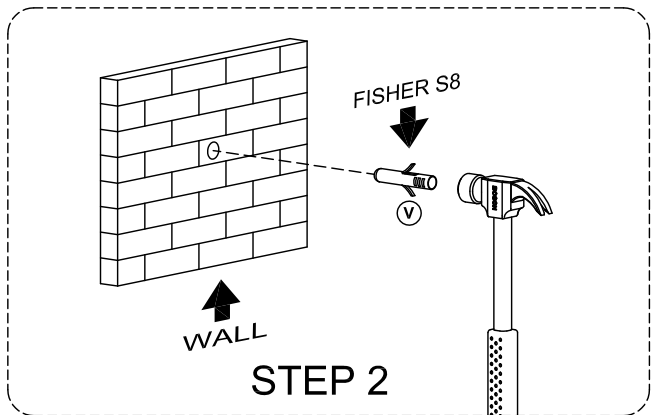
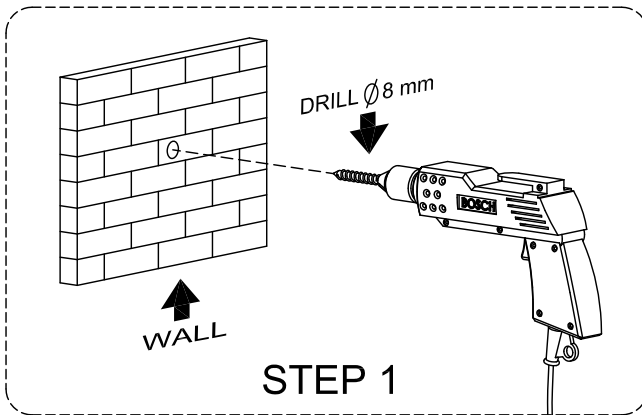
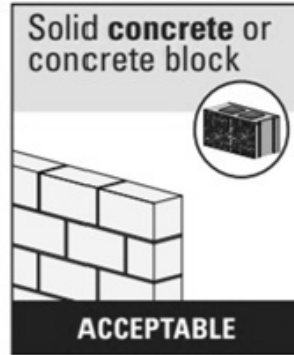
17

OPTION 5



RZ1200

18



Note: It is recommended to use the safety bracket included (part "U") or a Branded TV safety strap (such as Sanus ELM701) for your safety to prevent Cabinet & TV Tip over.

