

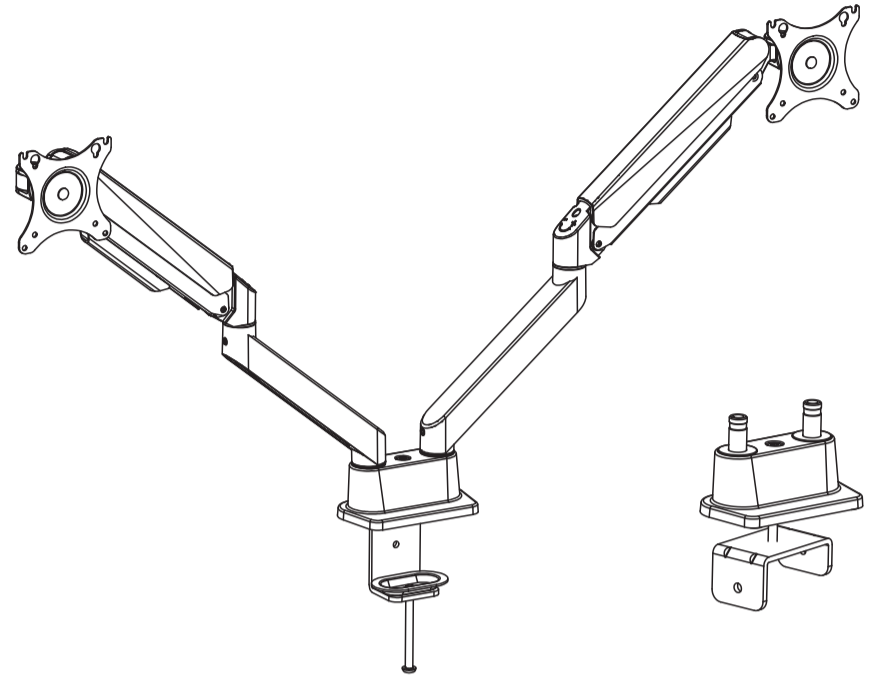
Read the entire instruction manual before you start installation and assembly. If you have any questions regarding any of the instructions or warnings, please contact your local distributor for assistance.

**CAUTION:** Use with products heavier than the rated weights indicated may result in instability causing possible injury.

- Mounts must be attached as specified in assembly instructions. Improper installation may result in damage or serious personal injury.
- Safety gear and proper tools must be used. This product should only be installed by professionals.
- Make sure that the supporting surface will safely support the combined weight of the equipment and all attached hardware and components.
- Use the mounting screws provided and DO NOT OVER TIGHTEN mounting screws
- This product contains small items that could be a choking hazard if swallowed. Keep these items away from children.
- This product is intended for indoor use only. Using this product outdoors could lead to product failure and personal injury.

**IMPORTANT:** Ensure that you have received all parts according to the component checklist prior to installation. If any parts are missing or faulty, telephone your local distributor for a replacement.

**MAINTENANCE:** Check that the bracket is secure and safe to use at regular intervals (at least every three months).



Arisit Pty Limited Australia,  
40-50 Mark Anthony Drive, Dandenong South,  
VIC 3175 Australia Tel: 1300 762 219

Arisit Pty Limited NZ,  
1a Howe Street, Newton, Auckland,  
1145 NZ, Tel: (+64) 9 306 1020

Made in China

PPMM2-AL

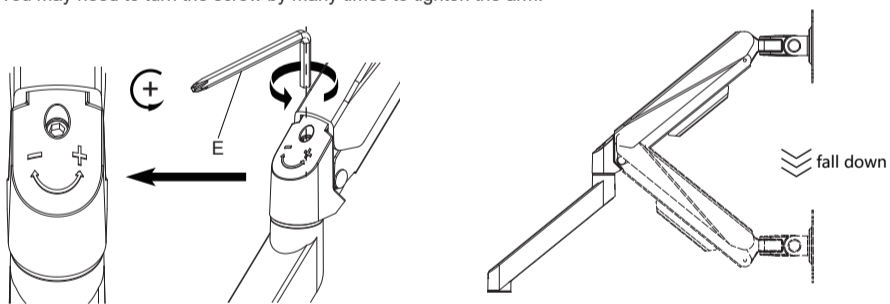


30"  
MAX



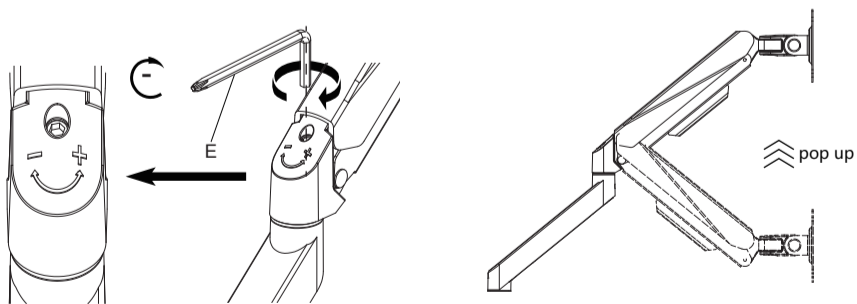
**4 Case 1: Monitor/Arm fall down (after install your monitor)**

Press the arm to make it keep in horizontal position and then use the Allen Key to adjust the screw on the arm. Turn counter-clockwise(“+” direction) to increase gas spring tension till can hold the weight of your monitor.  
Note: You may need to turn the screw by many times to tighten the arm.

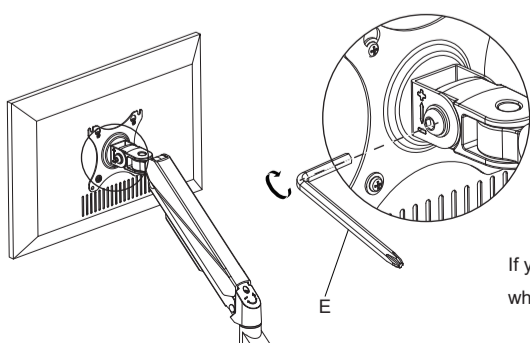


**Case 2: Monitor/Arm pops up (after install your monitor)**

Press the arm to make it keep in horizontal position and then use the Allen Key to adjust the screw on the arm. Turn clockwise(“-” direction) to reduce gas spring tension till can stay the position needed.  
Note: You may need to turn the screw by many times to tighten the arm.

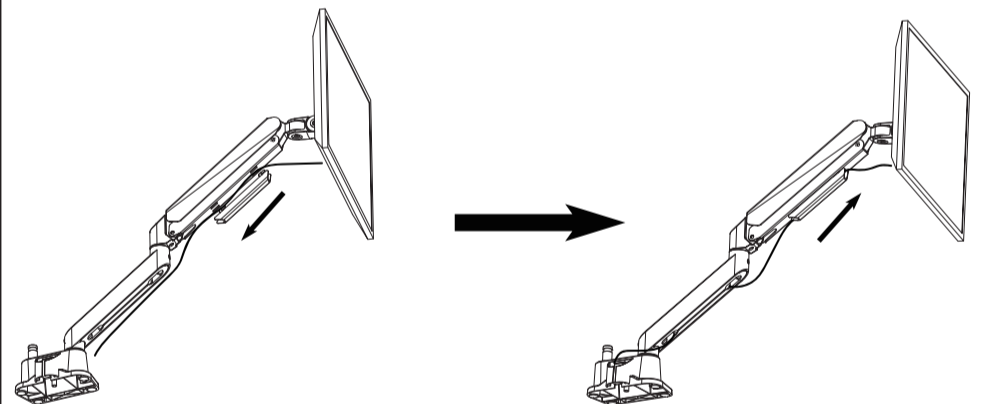


**5 Adjust flexibility**

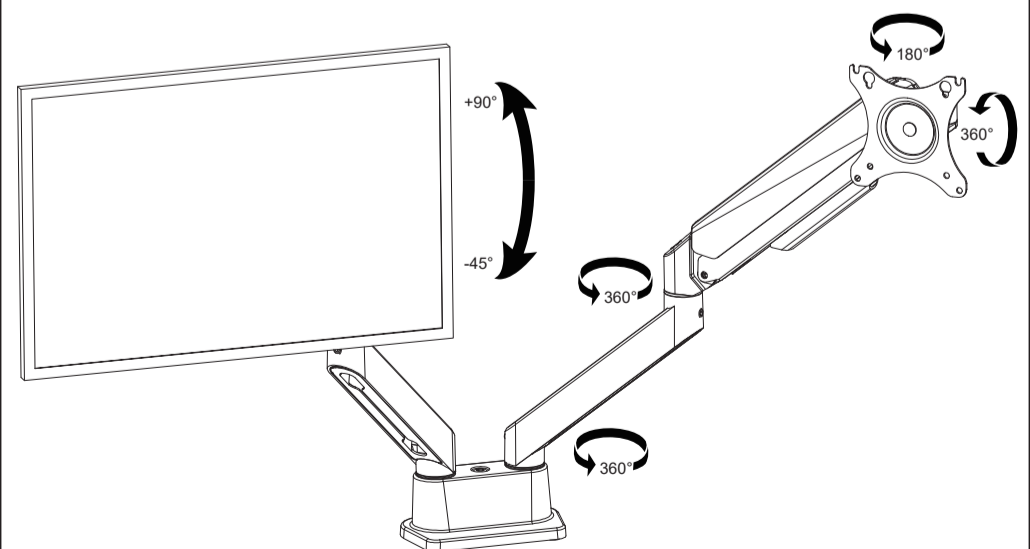


If you feel the pitching angle too tight or too loose when adjusting the mount, please adjust the Screw

**6 Cable management**



**7 Adjustable instruction**





M4x10 (x8)  
A



M5x10 (x8)  
B



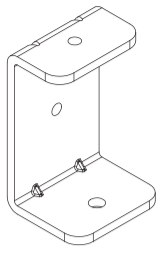
C (x8)



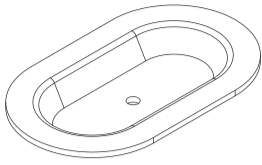
4mm (x1)  
D



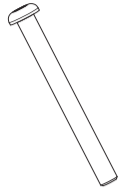
5mm (x1)  
E



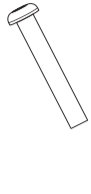
1 (x1)



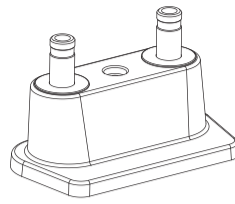
2 (x1)



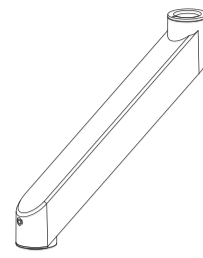
3 (x1)



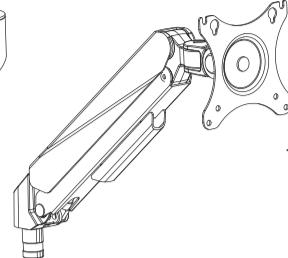
4 (x1)



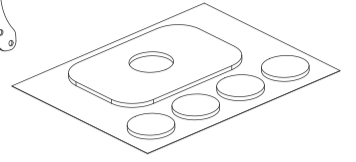
5 (x1)



6 (x2)

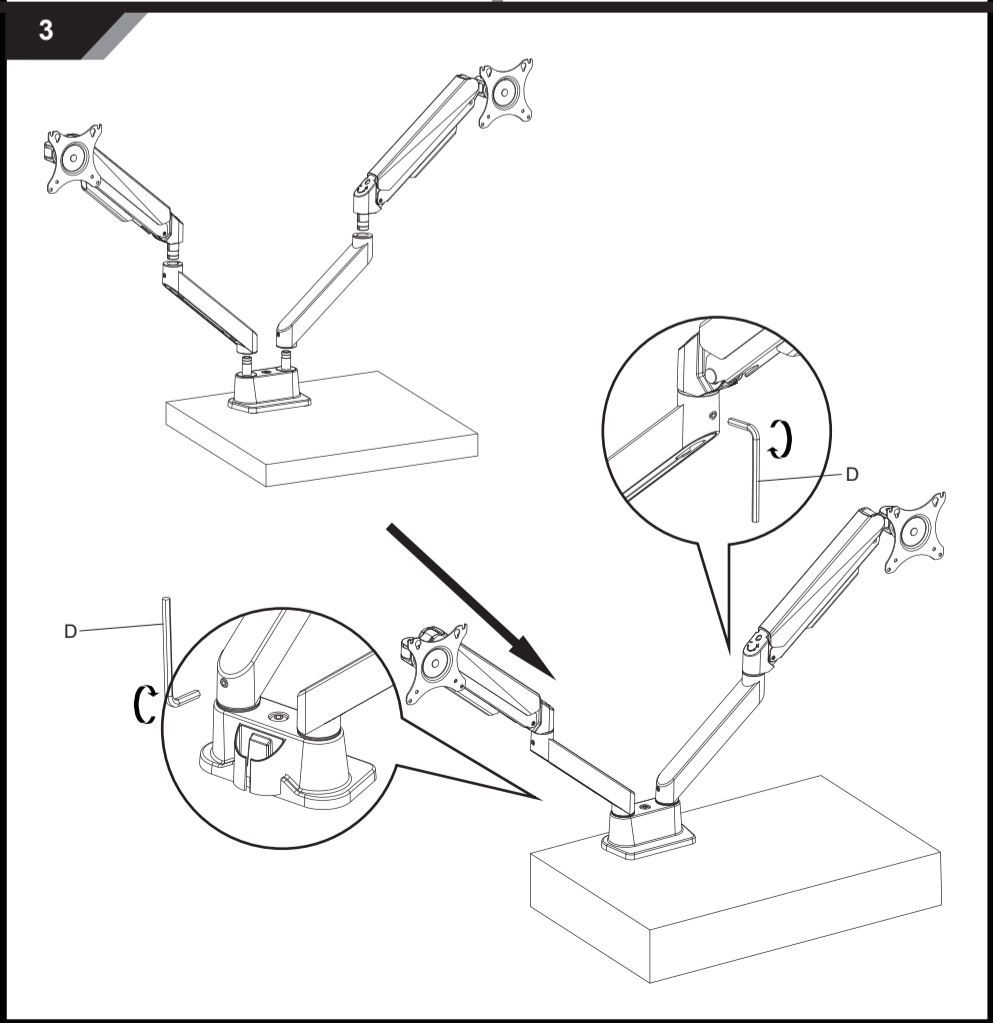
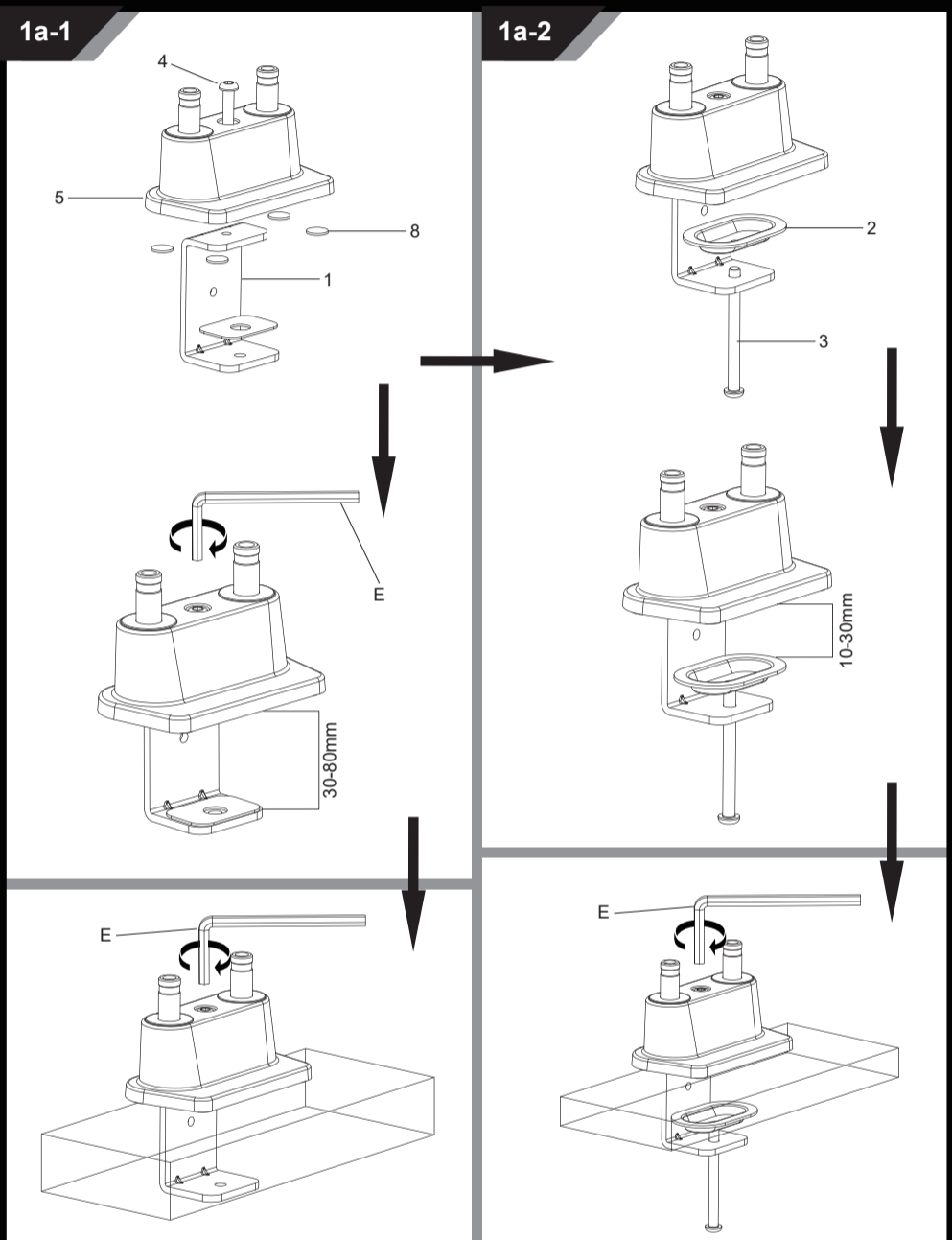


7 (x2)



8 (x1)

### Method 1



### Method 2 (desktop has a hole for item 2 go through)

