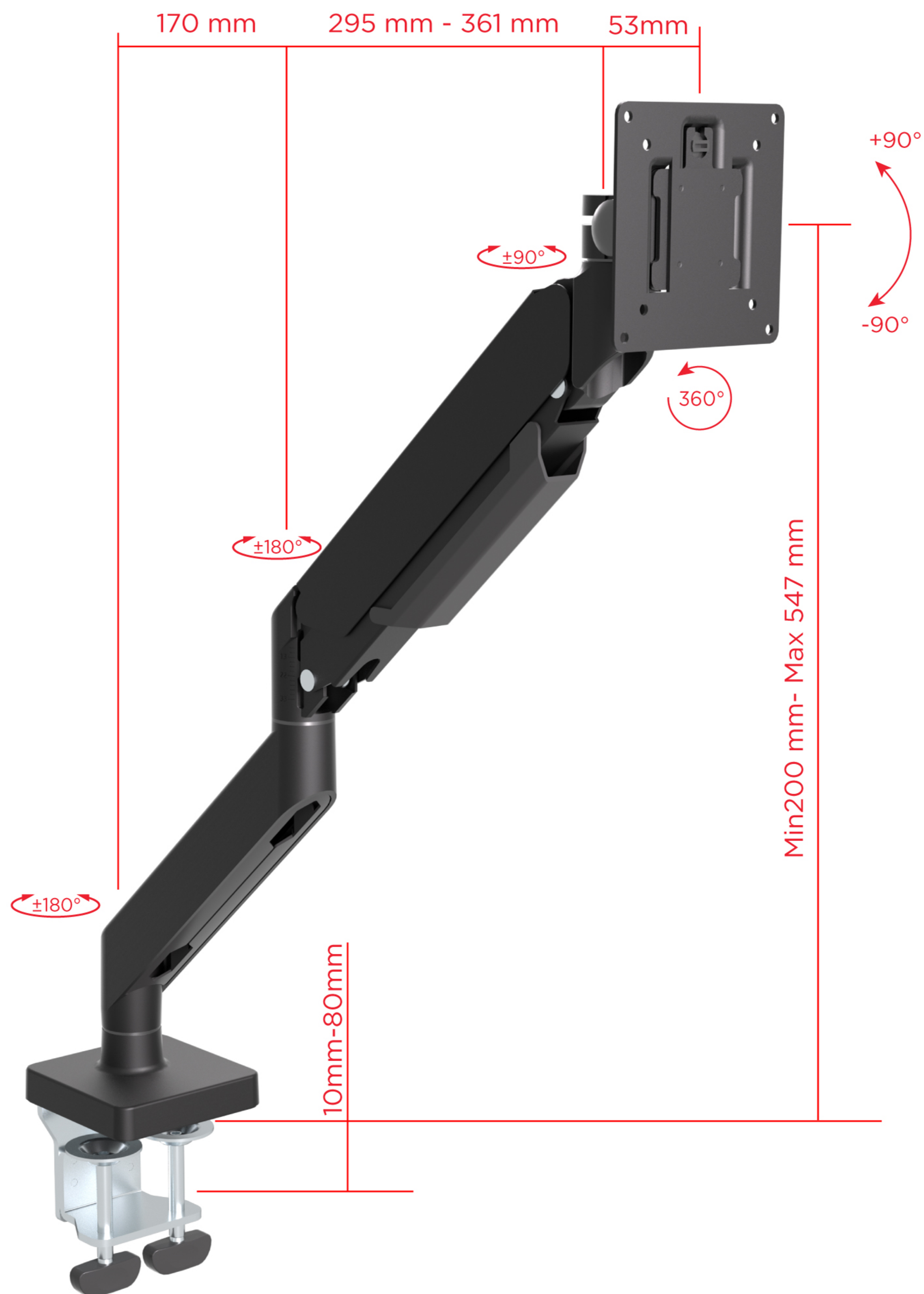


MONITOR ARM SINGLE

PPMM1-HD



ONE
SMART CE GEAR

Up to
13-49"
32" Vertical

Max Weight
15kg

Up to
100x100
VESA

Drill and
Clamp
Mount

HEAVY DUTY MONITOR ARM SINGLE

Supports All Types of Monitors

Supports flat and curved monitors from 13" to 49" (or 32" in portrait)
Holds up to a maximum of 15kg.

Fully Articulated

Gas-spring operated arm can counterbalance monitor positions
in all directions. ±90° horizontal and vertical tilt, 360° rotation for
landscape or portrait view.

Your Choice

Choose to bolt it down to your desk to keep the mount from
moving around. Choose the non-destructive clamp to keep your
desk clear from any holes. All mounting hardware included.

Cable Management

Open up the chamber on the top of the mount to have your cables tucked away.
Place cables and the adjustment wrench in the back of the mount to use it later.

Landscape or Portrait

360 degree rotation for Horizontal and Vertical (32" Vertical) mounting options.
Perfect to have your monitor set up for chats, reading, and gaming.

Required Tools



Drill & Bits



Philips
Screwdriver



Pencil



Specifications

Retail Package Size: 455mm x 290mm x 112mm

Master Carton Size: 470mm x 305mm x 468mm

Master Carton Quantity: 4

UPC: 810054152750